



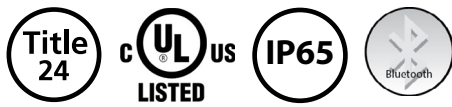
# BLUETOOTH® WASP SENSOR

OCCUPANCY/VACANCY SENSORS AND CONTROLLERS

tradeSELECT®

## FEATURES

- Wireless programming using HCS ControlHUBB™ Bluetooth app
- ON/OFF and 0-10V dimming control
- Single/Dual motion sensor timer modes
- Multiple daylight harvesting modes for indoor and outdoor applications
- Interchangeable high/low area detection lens options
- Low voltage and line voltage models available
- Daylight sensor for daylight harvesting applications
- Low temperature/water-tight/indoor-outdoor versions



## RELATED PRODUCTS

- [WASP Lenses](#)
- [Universal Voltage Power Packs](#)
- [Heavy Duty Universal Voltage Power Packs](#)
- [MPSHD Pack](#)
- [MP347A Power Pack](#)

## SPECIFICATIONS

### CONSTRUCTION

- Sensor Module and Lens Assembly: high-impact, injection-molded plastic
- 7 oz. (198.45g)
- White, Black, Gray finishes available
- Ø4.0" x 1.5" H (Ø 101.6MM x 38.1mm H)

### ELECTRICAL

- Line Voltage sensors: 120-480VAC, 60Hz
- Low Voltage sensors: 24VDC "class 2" (uses UVPP or MP-series power - not included)
- 24VDC
- 120VAC: 10A Tungsten
- 120-347VAC: 5A Standard Ballast
- 120-277VAC: 5A Electronic Ballast
- 347VAC: 3A Electronic Ballast
- 480VAC: 3A Standard Ballast
- Capable of sinking up to 30mA
- 24VDC active high-logic control signal
- Bluetooth Radio: V5.0

### OPERATION

- Indoor/Outdoor use
- Operating temperature: 32°F to 149°F (0°C to 65°C)
- Low-temperature/WaterTight/Indoor-Outdoor version: Operating temperature: -40° to 149°F (-40° to 65°C)
- Wireless programming of sensor settings using HCS ControlHUBB™ Bluetooth app. Maximum programming distance: 45 Ft

### OPERATION (CONTINUED)

- Easy to use slider controls for sensor settings
- Motion sensor and photosensor test modes
- Configurable LED motion indicator
- Single/Dual Motion Sensor Timer Modes
  - Single Timer Mode: Timer (1 sec - 20 mins), Level Adjustment (0-100%), Relay State (On/Off)
  - Dual Timer Mode: Timer 1 (1 sec - 20 mins), Level Adjustment (0-100%), Relay State (On/Off) / Timer 2 (0 min - 4 hrs)
- Multiple Daylight Harvesting Modes
  - Full range dimming with auto configuration (closed loop operation)
  - Legacy dimming (open loop operation)
  - Dusk to dawn (On/Off operation)
  - Disabled (Default)
- Device Cloning: Sensor settings can be saved to device profiles and then cloned to other sensors
- Patented Intelliscope™ technology showing real-time occupancy data
- Security
  - Passcode protection to prevent unwanted changes
  - Bluetooth radio can be turned off via the app after programming (To reenable, press and hold reset pin on sensor for 5 seconds)

### OPERATION (CONTINUED)

- Factory Defaults: Sensor can be set to factory defaults using the app or by pressing and holding the sensor's reset pin for more than 10 seconds)
- Over the Air (OTA) firmware updateable
- Dual element pyrometer and spherical Fresnel lens designed for robust detection of walking person (when used with program start ballasts, a 1-2 second delay from occupancy detection to lamp turn-on may occur)

### DAYLIGHT SENSOR

- Range: 1 to 50fc or 5 to 500fc
- End mount sensor: Downward and upward facing daylight sensor (direction selectable via ControlHUBB app)
- Surface mount sensor: Downward facing daylight sensor only

### INTERCHANGEABLE LENS OPTIONS AND COVERAGE

- Lens options: (Lenses sold separately - not included with sensor module)
- Low Mount/High Mount
- Indoor/Outdoor
- Coverage: 360°, 180°, Aisle, Half Aisle

### CERTIFICATIONS

- Conforms with UL STD 508, UL STD 244A
- LWO version conforms to IP65

### WARRANTY

- 5 year limited
- See [HCS Standard Warranty](#) for additional information

# BLUETOOTH® WASP SENSOR

OCCUPANCY/VACANCY SENSORS AND CONTROLLERS

## ORDERING GUIDE

**Example:** WSPDBEMUNV, WSPDLWOBEMUNV-GY

CATALOG #

WSPD		Environment		Mounting		Input Voltage		Color	
Model									
WSPD	0-10V Dimming WASP Sensor	<b>B</b>	Standard Bluetooth Version	<b>EM</b>	End Mount	<b>24V</b>	24VDC (Low Voltage)	<b>Blank</b>	White
		<b>LWOB</b>	Low-Temp/Watertight/Indoor/Outdoor Version with Bluetooth	<b>SM</b>	Surface Mount	<b>UNV</b>	120-480VAC	<b>BK</b>	Black
								<b>GY</b>	Gray

### Lens Ordering Guide

**Example:** WSPLWO-L360-LM-WH

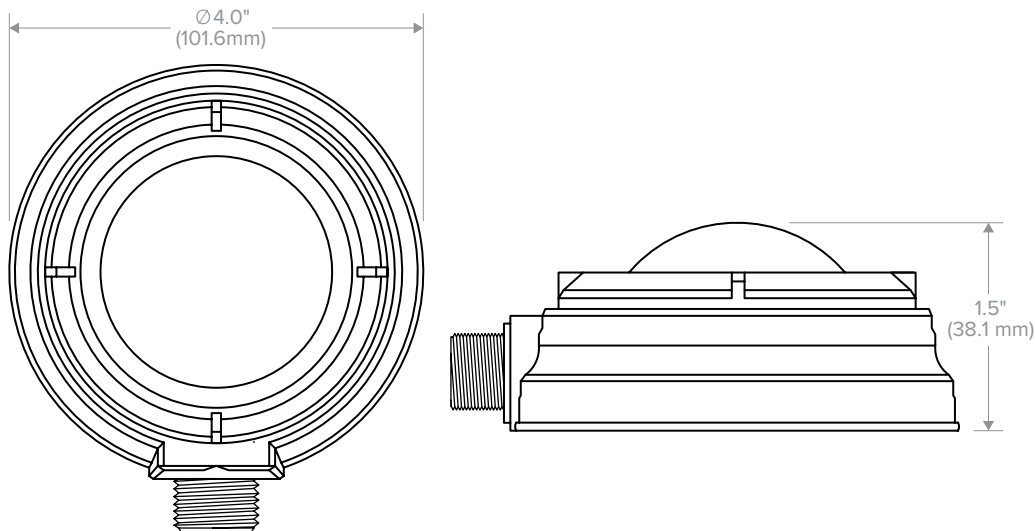
CATALOG #

WSP		Environment		Coverage		Mounting		Color	
Sensor Lens									
WSP	WASP Sensor Lens	<b>Blank</b>	Indoor Version	<b>L360</b>	360° Area Lens	<b>Blank</b>	High Mount	<b>WH</b>	White
		<b>LWO</b>	Low-Temp/Watertight/Outdoor Only	<b>L180</b>	180° Area Lens	<b>LM</b>	Low Mount	<b>BK</b>	Black
				<b>LA</b>	Aisle Lens			<b>GY</b>	Gray
				<b>LHA</b>	Half Aisle Lens				

### Accessories

- WSPADAPTOR2** WASP End Mount Sensor Offset Adapter

## DIMENSIONS

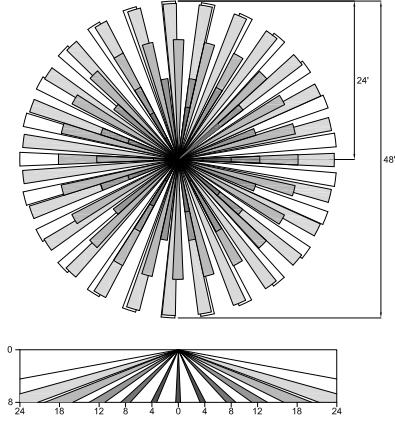


# BLUETOOTH® WASP SENSOR

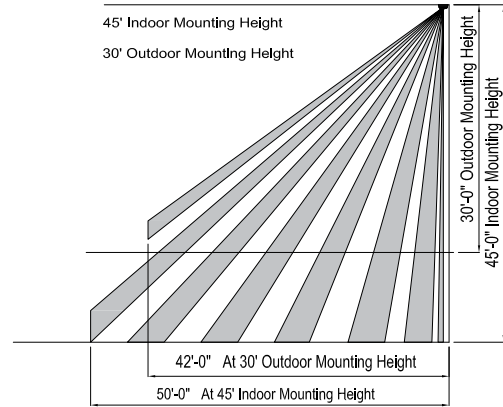
OCCUPANCY/VACANCY SENSORS AND CONTROLLERS

## ADDITIONAL INFORMATION CONTINUED

### Coverage Patterns

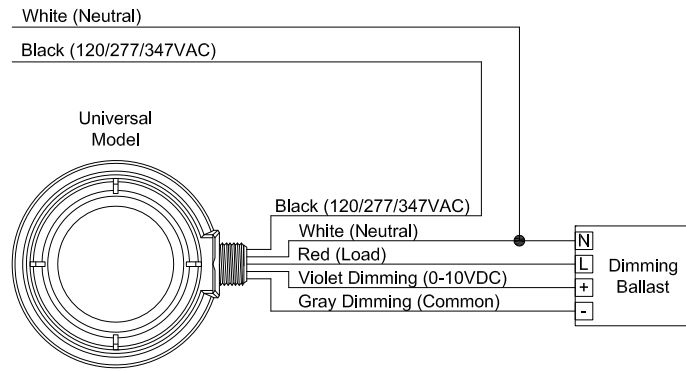


Sensor Lens Coverage and Detection Patterns When Mounted at 8ft with Low Mount Lens

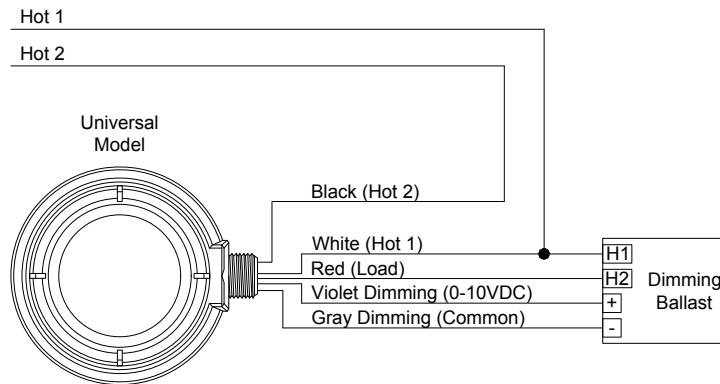


Sensor Lens Coverage and Detection Patterns When Mounted at 30ft and 45ft with Standard Lens

### Wiring Diagrams



120/277/347VAC  
Wiring Diagram



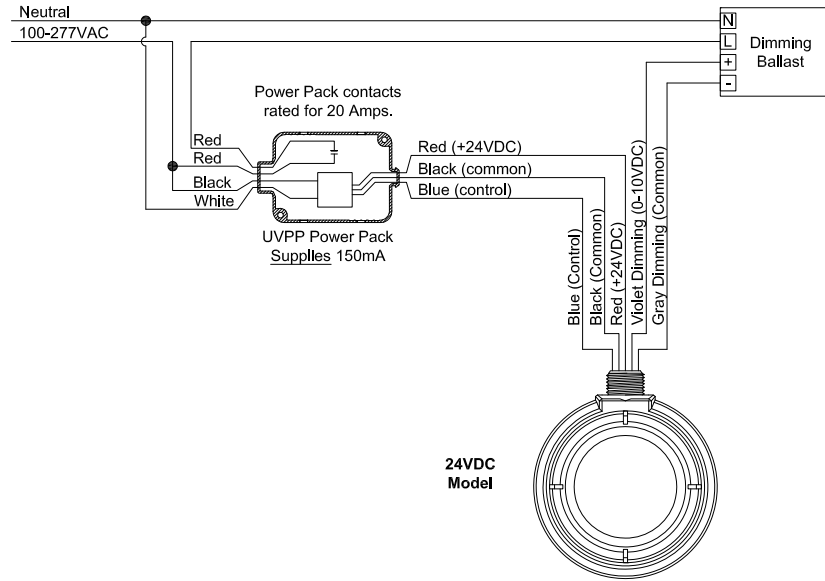
208/240 & 480VAC  
Wiring Diagrams

# BLUETOOTH® WASP SENSOR

OCCUPANCY/VACANCY SENSORS AND CONTROLLERS

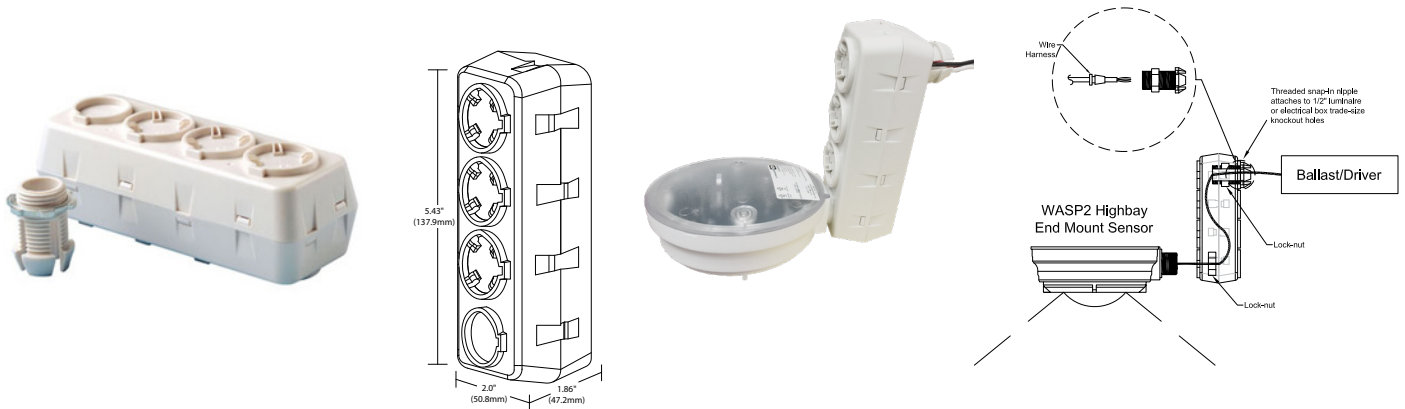
## ADDITIONAL INFORMATION CONTINUED

### Wiring Diagrams Continued



24V Dimming WASP  
Wiring Diagram

### Accessories



The Optional WSPADAPTOR2 offset adaptor can be used to improve the field of view for fixture mounted sensors where the geometry of the fixture might otherwise interfere with the sensor's performance. The adapter snaps into a standard 1/2" (12.7mm) knockout on the end of the fixture and provides several mounting position choices for the sensor.