

- 1
- 2
- 3
- 4
- 5
- 6
- 7
- 8
- 9
- 10
- 11
- 12
- 13
- 14
- 15
- 16
- 17
- 18

MATERIAL

High-strength, reinforced phenolic based (PF) Duroplast, black colour, glossy finish.

STANDARD EXECUTIONS

Black-oxide steel hub, uncovered front end, not drilled. See table for maximum permissible boring diameter d' and d".

- **VR.FP**: without handle.
- **VR.FP+I**: with revolving handle I.301+x (see page 664) in Duroplast.
- **VR.FP+IR**: with fold-away handle IR.302 (see page 671) in Duroplast.

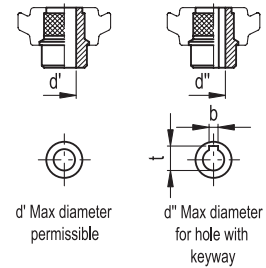
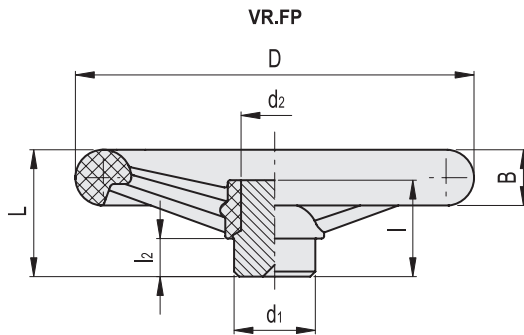
ACCESSORIES ON REQUEST

Axial retaining washer GN 184 (see page 1021).



ELESA Original design

| Conversion Table | |
|-------------------|-------|
| 1 mm = 0.039 inch | |
| D | |
| mm | inch |
| 98 | 3.86 |
| 124 | 4.88 |
| 139 | 5.47 |
| 157 | 6.18 |
| 180 | 7.09 |
| 198 | 7.79 |
| 247 | 9.72 |
| 288 | 11.34 |
| 375 | 14.76 |



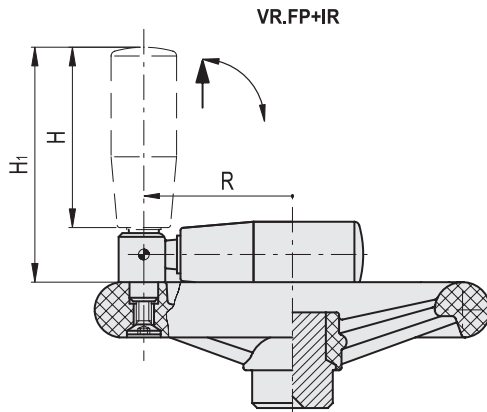
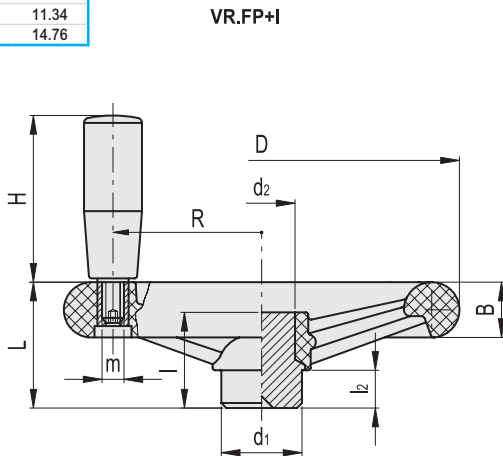
VR.FP

METRIC

| Code | Description | D | L | B | d1 | d2 | l | l2 | d' | d'' | t | b | C# [Nm] | L# [J] | ⚖️ |
|-------|-------------|-----|-----|----|----|----|----|----|----|-----|------|----|---------|--------|------|
| 77111 | VR.100 FP | 98 | 40 | 14 | 24 | 20 | 36 | 12 | 16 | 13 | 15.3 | 5 | 67 | 5 | 175 |
| 77211 | VR.125 FP | 124 | 45 | 18 | 24 | 20 | 36 | 12 | 16 | 13 | 15.3 | 5 | 120 | 8 | 240 |
| 77311 | VR.140 FP | 139 | 47 | 20 | 32 | 24 | 38 | 15 | 20 | 16 | 18.3 | 5 | 165 | 12 | 390 |
| 77411 | VR.160 FP | 157 | 50 | 22 | 32 | 24 | 38 | 15 | 20 | 16 | 18.3 | 5 | 165 | 12 | 455 |
| 77511 | VR.180 FP | 180 | 56 | 24 | 40 | 31 | 43 | 15 | 26 | 22 | 24.8 | 6 | 280 | 15 | 700 |
| 77611 | VR.200 FP | 198 | 56 | 24 | 40 | 31 | 43 | 15 | 26 | 22 | 24.8 | 6 | 300 | 16 | 750 |
| 77711 | VR.250 FP | 247 | 66 | 30 | 49 | 38 | 44 | 15 | 34 | 27 | 30.3 | 8 | 405 | 19 | 1235 |
| 77811 | VR.300 FP | 288 | 78 | 32 | 58 | 47 | 56 | 18 | 42 | 34 | 37.3 | 10 | 800 | 33 | 2060 |
| 77901 | VR.375 FP | 375 | 108 | 40 | 58 | 58 | 77 | 26 | 45 | 40 | 43.3 | 12 | 1450 | 70 | 3900 |

Operating elements

| Conversion Table | |
|-------------------|-------|
| 1 mm = 0.039 inch | |
| D | |
| mm | inch |
| 98 | 3.86 |
| 124 | 4.88 |
| 139 | 5.47 |
| 157 | 6.18 |
| 180 | 7.09 |
| 198 | 7.79 |
| 247 | 9.72 |
| 288 | 11.34 |
| 375 | 14.76 |



VR.FP+I

METRIC

| Code | Description | D | L | B | d1 | d2 | l | l2 | H | m | R | d' | d'' | t | b | C# [Nm] | L# [J] | ⚖ |
|-------|-------------|-----|-----|----|----|----|----|----|-----|-----|-----|----|-----|------|----|---------|--------|------|
| 77121 | VR.100 FP+I | 98 | 40 | 14 | 24 | 20 | 36 | 12 | 40 | M6 | 37 | 16 | 13 | 15.3 | 5 | 67 | 5 | 205 |
| 77221 | VR.125 FP+I | 124 | 45 | 18 | 24 | 20 | 36 | 12 | 50 | M8 | 47 | 16 | 13 | 15.3 | 5 | 120 | 8 | 300 |
| 77321 | VR.140 FP+I | 139 | 47 | 20 | 32 | 24 | 38 | 15 | 65 | M8 | 53 | 20 | 16 | 18.3 | 5 | 165 | 12 | 475 |
| 77421 | VR.160 FP+I | 157 | 50 | 22 | 32 | 24 | 38 | 15 | 65 | M8 | 59 | 20 | 16 | 18.3 | 5 | 165 | 12 | 540 |
| 77521 | VR.180 FP+I | 180 | 56 | 24 | 40 | 31 | 43 | 15 | 80 | M10 | 68 | 26 | 22 | 24.8 | 6 | 280 | 15 | 830 |
| 77621 | VR.200 FP+I | 198 | 56 | 24 | 40 | 31 | 43 | 15 | 80 | M10 | 76 | 26 | 22 | 24.8 | 6 | 300 | 16 | 880 |
| 77721 | VR.250 FP+I | 247 | 66 | 30 | 49 | 38 | 44 | 15 | 90 | M10 | 98 | 34 | 27 | 30.3 | 8 | 405 | 19 | 1420 |
| 77821 | VR.300 FP+I | 288 | 78 | 32 | 58 | 47 | 56 | 18 | 100 | M12 | 113 | 42 | 34 | 37.3 | 10 | 800 | 33 | 2335 |
| 77911 | VR.375 FP+I | 375 | 108 | 40 | 58 | 58 | 77 | 26 | 100 | M12 | 160 | 45 | 40 | 43.3 | 12 | 1450 | 70 | 4170 |

VR.FP+IR

| Code | Description | D | L | B | d1 | d2 | l | l2 | H | H1 | R | d' | d'' | t | b | C# [Nm] | L# [J] | ⚖ |
|-------|--------------|-----|-----|----|----|----|----|----|----|-----|-----|----|-----|------|----|---------|--------|------|
| 77531 | VR.180 FP+IR | 180 | 56 | 24 | 40 | 31 | 43 | 15 | 80 | 100 | 68 | 26 | 22 | 24.8 | 6 | 280 | 15 | 840 |
| 77631 | VR.200 FP+IR | 198 | 56 | 24 | 40 | 31 | 43 | 15 | 80 | 100 | 76 | 26 | 22 | 24.8 | 6 | 300 | 16 | 875 |
| 77731 | VR.250 FP+IR | 247 | 66 | 30 | 49 | 38 | 44 | 15 | 90 | 113 | 98 | 34 | 27 | 30.3 | 8 | 405 | 19 | 1465 |
| 77831 | VR.300 FP+IR | 288 | 78 | 32 | 58 | 47 | 56 | 18 | 90 | 113 | 113 | 42 | 34 | 37.3 | 10 | 800 | 33 | 2380 |
| 77921 | VR.375 FP+IR | 375 | 108 | 40 | 58 | 58 | 77 | 26 | 90 | 113 | 160 | 45 | 40 | 43.3 | 12 | 1450 | 70 | 4250 |

For maximum torque (C) and impact strength (L) see Technical Data on page A-3 A-3.

