

STANDARD EXECUTIONS

- **RHWP-G**: back mounting, threaded blind holes.
- **RHWP-B**: front mounting, pass-through holes for countersunk-head screws.

Colour index:

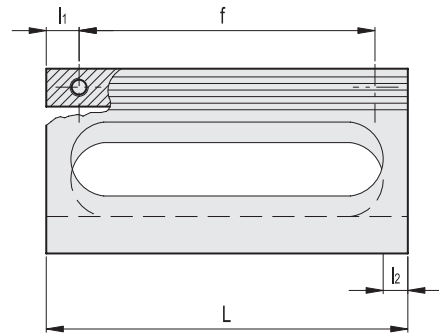
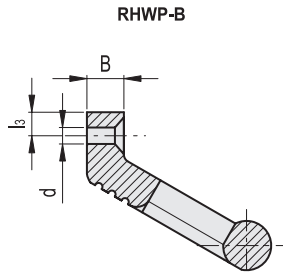
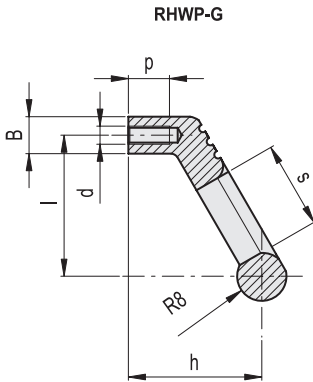
- **11**: anodised aluminium, natural colour, satin finish.
- **14**: anodised aluminium, black colour, satin finish.

SPECIAL EXECUTIONS ON REQUEST

Different lengths and colours.



Conversion Table			
1 mm = 0.039 inch			
L		d	
mm	inch	mm	inch
106	4.17	5.5	0.22
120	4.72		
140	5.51		



RHWP-G

METRIC

Code	f	L	d	p	B	h	l	l1	l2	s	⚖
RHWP-12.G086.11	86	106	M6	12	12	42	45	10	8	28	187
RHWP-12.G100.11	100	120	M6	12	12	42	45	10	8	28	209
RHWP-12.G120.11	120	140	M6	12	12	42	45	10	8	28	243
RHWP-12.G086.14	86	106	M6	12	12	42	45	10	8	28	187
RHWP-12.G100.14	100	120	M6	12	12	42	45	10	8	28	209
RHWP-12.G120.14	120	140	M6	12	12	42	45	10	8	28	243

RHWP-B

Code	f	L	B	h	l	l1	l2	l3	d	s	⚖
RHWP-12.B086.11	86	106	12	51	35	10	8	7	5.5	28	189
RHWP-12.B100.11	100	120	12	51	35	10	8	7	5.5	28	210
RHWP-12.B120.11	120	140	12	51	35	10	8	7	5.5	28	244
RHWP-12.B086.14	86	106	12	51	35	10	8	7	5.5	28	189
RHWP-12.B100.14	100	120	12	51	35	10	8	7	5.5	28	210
RHWP-12.B120.14	120	140	12	51	35	10	8	7	5.5	28	244



Lift & Pull handles