



CMCP797V Velocity Sensor, Side Entry 2 Pin MS 5015



Features:

- Side Entry Velocity Sensor
- 100mV/In/Sec $\pm 10\%$ (4mV/mm/s)
- 140°C Max Temperature Range
- 2 Pin MS 5015 Connector
- Class 1 Division 2 Approved
- Class 1 Division 1 Approved with IS Barrier or Isolator
- 1/4"-28 UNF or M8x1.25 Captive Mounting Bolt
- Sealed to IP68

Typical Applications

Fans, Motors, Pumps, Compressors, Centrifuges, Conveyors, Air Handlers, Gearboxes, Rolls, Dryers, Presses, Cooling, HVAC, Spindles, Machine Tooling, Process Equipment and many more.

Technical Performance

Mounted Base Resonance: 22 kHz (nominal)
 Sensitivity: 100mV/In/Sec (4mV/mm/s) $\pm 10\%$ Nominal 80Hz at 22°C
 Frequency Response: 3 Hz to 4.5 kHz $\pm 10\%$ (180 cpm to 270k cpm)
 2 Hz to 6 kHz $\pm 3\text{dB}$ (120 cpm to 260k cpm)
 Isolation: Base Isolated
 Measurement Range: 40 In/Sec
 Transverse Sensitivity: Less than 5%

Electrical

Electrical Noise: 0.1mg max
 Current Range: 0.5mA to 8mA
 Bias Voltage: 10-12 Vdc
 Settling Time: 1 Second
 Output Impedance: 200 Ohms max.
 Case Isolation: $>10^8$ Ohms at 500 Volts

Environmental

Operating Temperature Range: -67 to 284°F (-55 to 140°C)
 Sealing: IP68 / Hermetically Sealed
 Maximum Shock: 5000 g
 Approvals: CE Approved
 CSA/UL Class 1 Division 2, Groups B, C and D

Mechanical

Case Material: Stainless Steel
 Sensing Element: PZT/Compression
 Mounting Torque: 5.9ft. lbs (8Nm)
 Weight: 6.5 Oz (185 grams)
 Mounting: 1/4"-28 UNF or M8x1.25 Captive Mounting Bolt
 Mating Connector: 2 Pin MIL 5015 MS Connector

Condition Monitoring Custom Products

Hazardous Location Ratings

Class I, II, III, Division 1 and 2, Groups A-G, T4, -55°C to + 110°C IP65

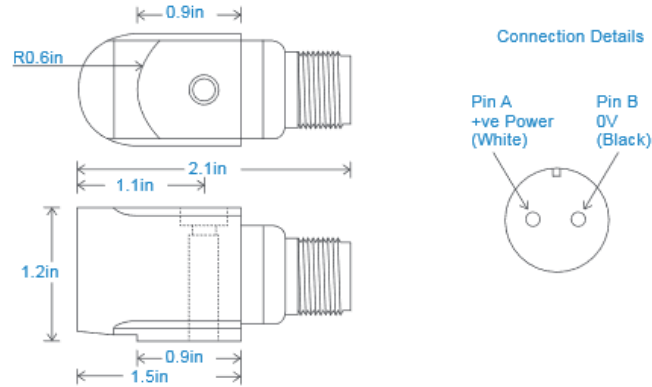
Class 1, Zone 0, AEx, ia, IIC, T4, Ga, -55°C to + 110°C

Zone 20, AEx, ia, IIIC, T130°C, IP65, Da, -55°C to + 110°C

Class I, II, III, Division 1, 2, Groups A-G, T6, -55°C to + 110°C

Zone 20, AEx, ia, IIIX, T80°C, IP65, DA, -55°C to + 110°C

Dimensions



Ordering Information:

CMCP797V Velocity Sensor, Side Entry 2 Pin MS Connector, 100mV/in/s, 1/4-28 UNF Mount
CMCP797V-M8 Velocity Sensor, Side Entry 2 Pin MS Connector, 100mV/in/s, M8x1.25 Mount

Recommended Cable Assemblies:

General Purpose TPE Jacketed Cable (Rated to 120°C)

CMCP602L Series 2 Socket MS Connector, Locking Collar, IP67
CMCP602LST Series 2 Socket MS Connector, Push On Seal Tight, IP68

High Temperature FEP Jacketed Cable (Rated to 200°C)

CMCP602H Series 2 Socket MS Connector, Locking Collar, IP67
CMCP602HST Series 2 Socket MS Connector, Push On Seal Tight, IP68

Similar Products



M12 Connector
CMCP797V-M12



Submersible
CMCP797V-IP



Integral Armored Cable
CMCP797V-I