

1

2

3

4

A

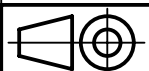
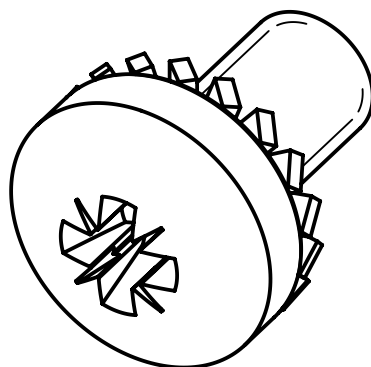
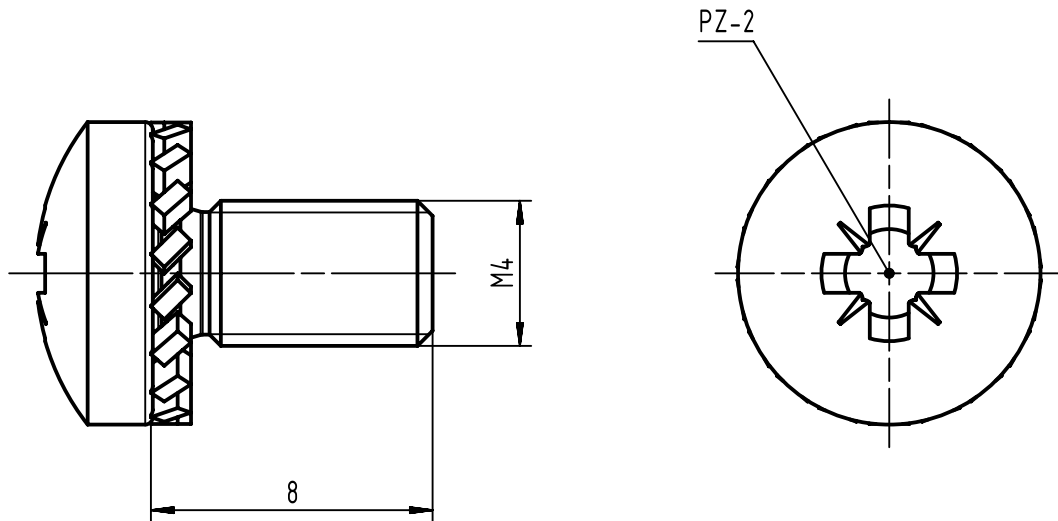
B

C

D

E

F



All Dimensions in mm
Original Size DIN A4

Scale
5:1

Free size tol.
ISO 7045

Ref.

Sub.



All rights reserved
Department EC PD - DE

Created by
TADJE

Inspected by
ZWAHR

Standardisation
HOFFMANN

Date
2017-11-09

State
Final Release

HARTING Electronics GmbH
D-32339 Espelkamp

Title
SEMS screw ISO 7045 M4x8-A2-70-Z +serrated lock washer

Doc-Key / ECM-Nr.
100077463/UGD/002/C
500000127599

Type
TB

Number
09068009958

Rev. C

Page
1/1