



## GNSS SMD Antenna

## SZP-C-0G02

GNSS: GPS, GLONASS, GALILEO, Beidou: 1.559 – 1.610 GHz

### Description

A highly compact yet high-performance solution for embedded design. Synzen have created the optimal solution for GNSS applications that simplify the design in process and allows you to focus on the product.

This antenna resonates best placed at the center of the longest PCB edge and produces a near omni directional pattern unlike patch antennas meaning the device orientation is less critical.

- For GNSS Applications 1559 to 1610MHz
- Highly Resistant to detuning
- Clean resonance with no unwanted out of band response.
- SMD component supplied in Tape and reel
- High performance comparable to large ceramic patch type
- Ideal for wearable or smaller designs.
- Simple design in with no additional clearance needed
- Suitable for sealing with resin/potting compounds

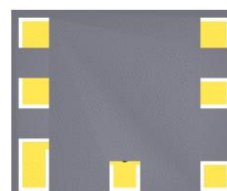


### Applications

Asset Tracking  
Wearable devices  
Drones

M2M Industrial  
Headsets  
Telematics

Tablets  
Healthcare  
OBD-II



*Patent pending design*



## General Specifications

### Mechanical Specifications

<b>Part Number</b>	SZP-C-0G02
<b>Name</b>	LODESTAR
<b>Dimensions</b>	6.0 x 5.0 x 0.9 (mm)
<b>Required Clearance area</b>	6 x 5 (mm)
<b>Weight</b>	<0.2g
<b>Antenna Type</b>	Surface Mount Device

### RF Specifications

<b>Frequency Range</b>	1559 – 1610MHz
<b>Average Efficiency (Linear)</b>	>60%
<b>Average Efficiency (RHCP)</b>	>30%
<b>Peak Gain</b>	0.5dBi
<b>S11 (max)</b>	<-11.8dB
<b>VSWR (max)</b>	1.70:1
<b>Impedance</b>	50 $\Omega$
<b>Polarization</b>	Linear

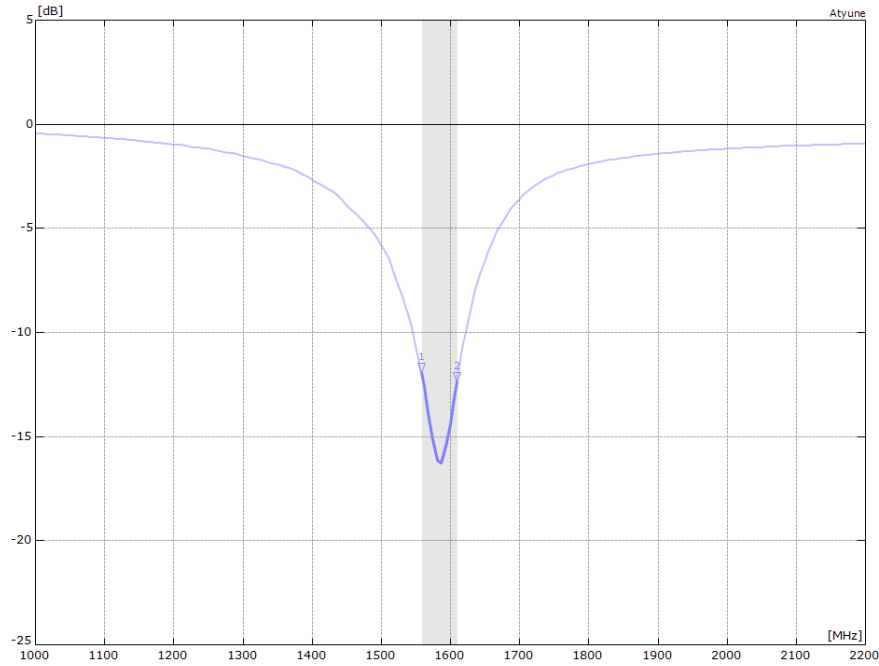
### Environmental Specifications

<b>Operational Temperature</b>	-40 to +125 (°C)
<b>Storage Temperature</b>	-10 to +40 (°C)
<b>Relative Humidity</b>	≤75%

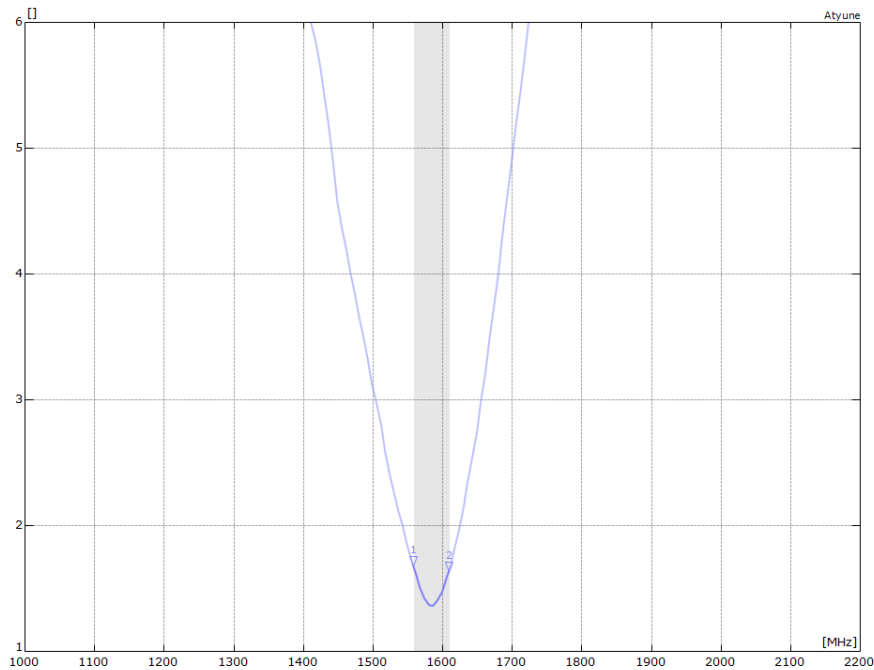


## RF Characteristics

### S11 Parameter



### VSWR

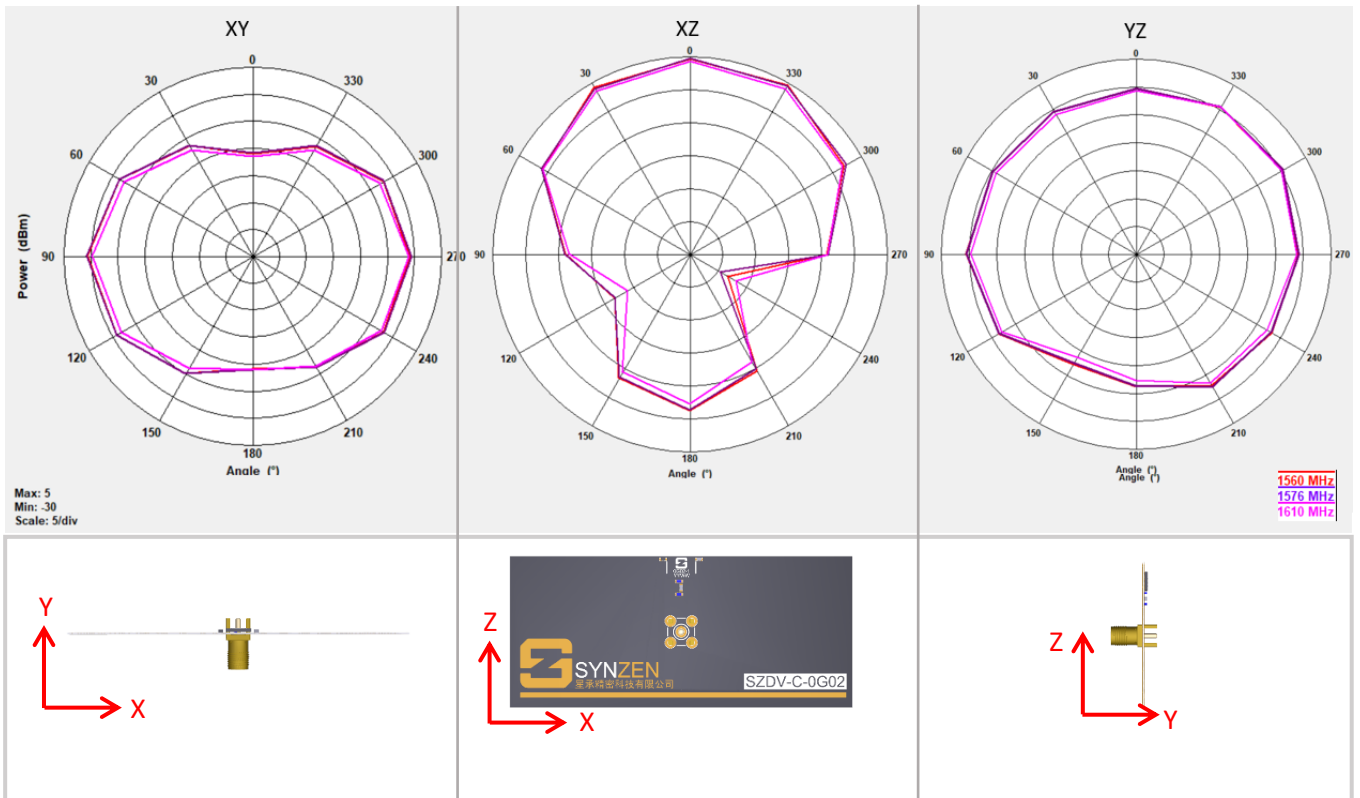




## Radiated Performance

### 2D Polar Plot

The data shown was measured on Synzen DVK (SZDV-C-0G02)

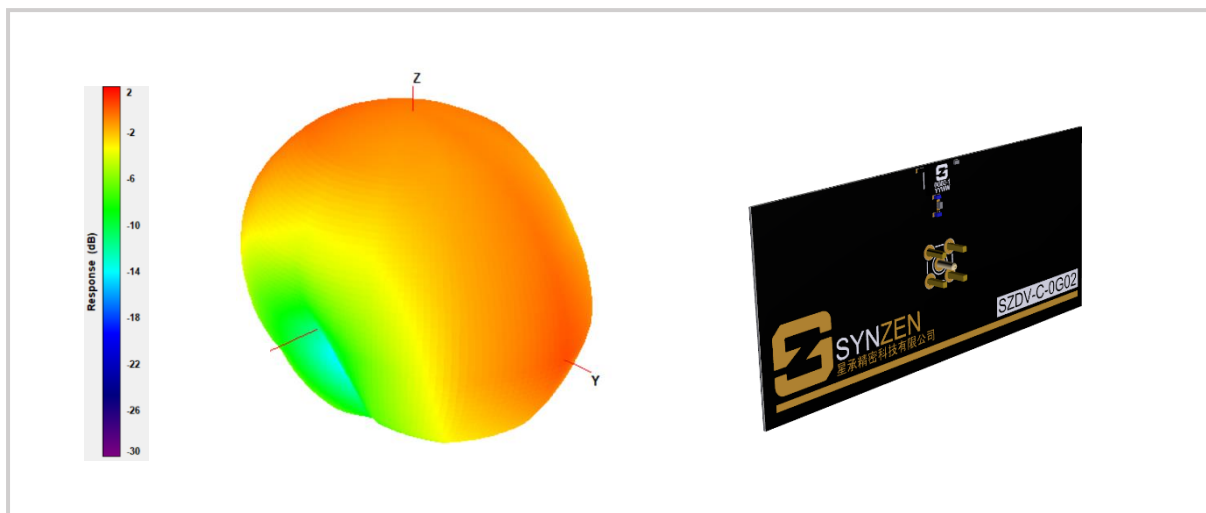
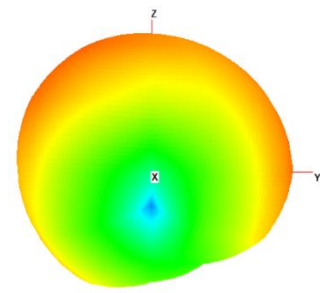
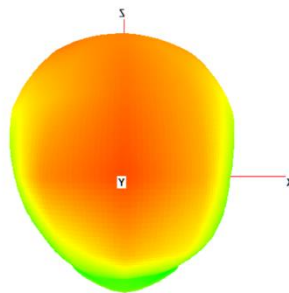
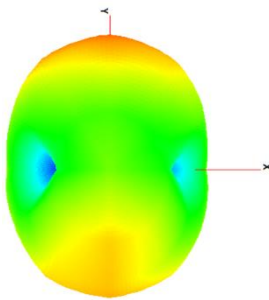




## Radiated Performance

### 3D Radiation Pattern

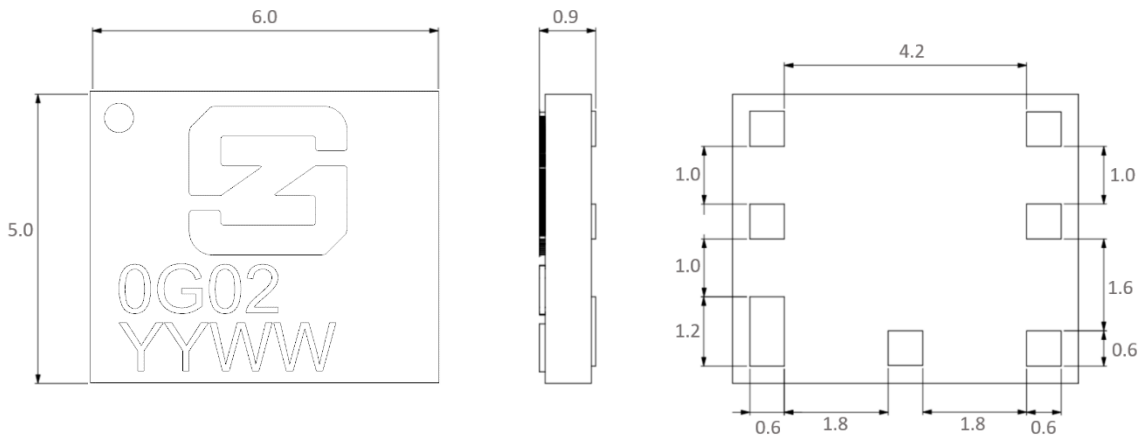
The data shown was measured on Synzen DVK (SZDV-C-0G02). The frequency point shown here is 1575.42MHz.





## Mechanical

### Antenna Mechanical Drawing



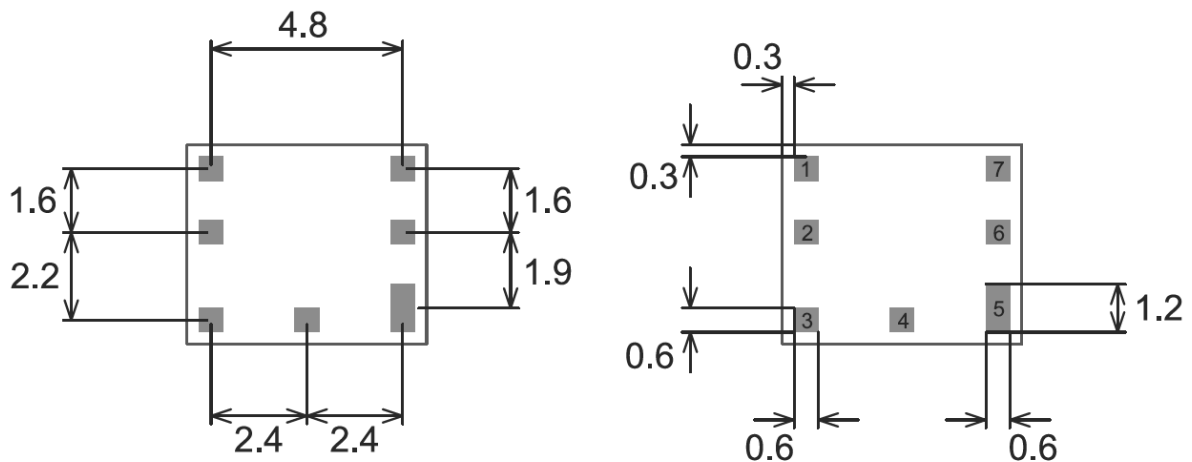
L	W	H
6.0±0.1	5.0±0.1	0.9±0.1

All dimensions in mm

### Required Host PCB Footprint

The host PCB requires the footprint shown below. PCB library files and DXF is available from our website [www.synzen.com.tw/products](http://www.synzen.com.tw/products).

The required clearance for the host PCB is 6 x 5 (mm) on all layers.



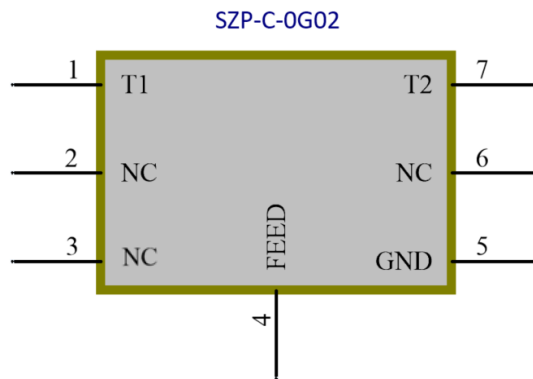
Pins 1,2,3,4,6,7 = 0.6 x 0.6 (mm)  
Pin 5 = 1.2 x 0.6 (mm)

All dimensions in mm

## Antenna Pinout

### SZP-C-0G02 Schematic Symbol

The schematic symbol for the antenna is shown below with a description of each pin.

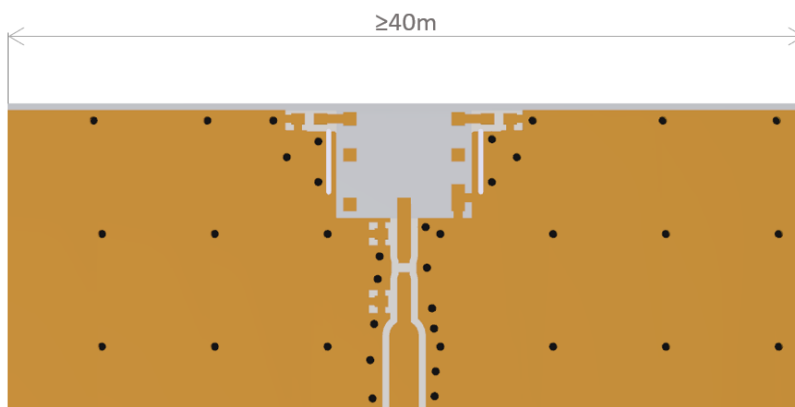


Pin	Description
1,7	Tuning Pins
2,3,6	Not used, leave unconnected
4	Feed to Matching network
5	Ground

## PCB Layout Requirements

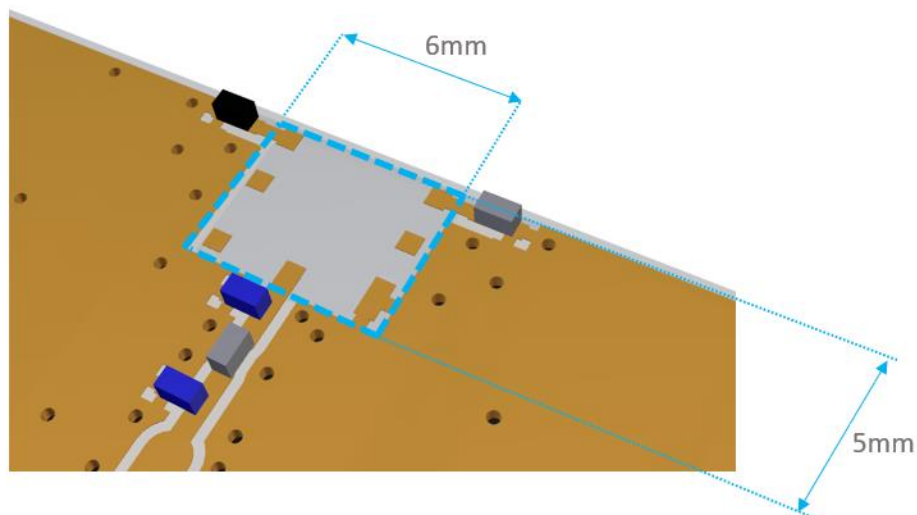
### Placement

The antenna is designed to function placed at the centre of the longest PCB edge equidistant from either side as shown here. Where possible the top and bottom side of the PCB should be flooded with GND, this optimizes the antenna performance but also assists in preventing noise that GNSS systems are sensitive to.



### Clearance

A clearance is required through all PCB layers for the precise area shown. Also, any components such as battery or display must also avoid this area. The rest of the area under the antenna should be filled GND.

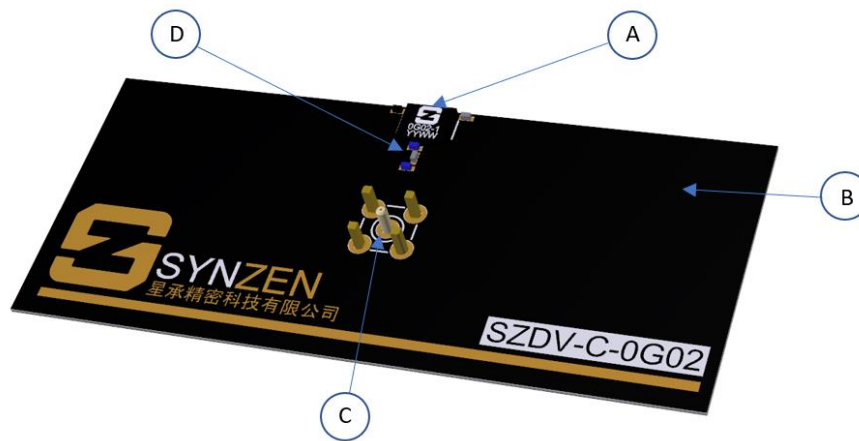




## Development Kit

### SZDV-C-0G02 Development Kit

The SZDV-C-0G02 development kit is a PCBA with the GNSS antenna (SZP-C-0G02) fitted and optimised with a matching network. Connection to the antenna is made using the fitted female SMA connector.

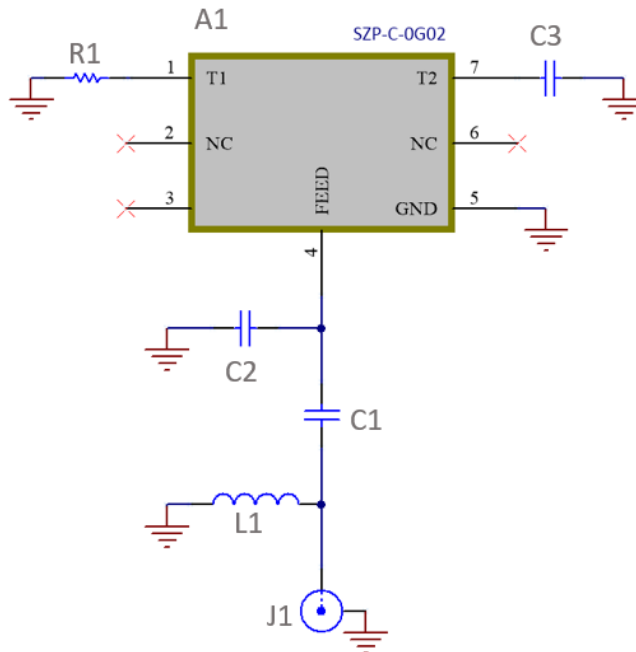


A	SZP-C-0G02 (Antenna)
B	Host PCB
C	SMA Connector
D	Matching Circuit

## Development Kit Schematic

### Development Kit Matching Circuit

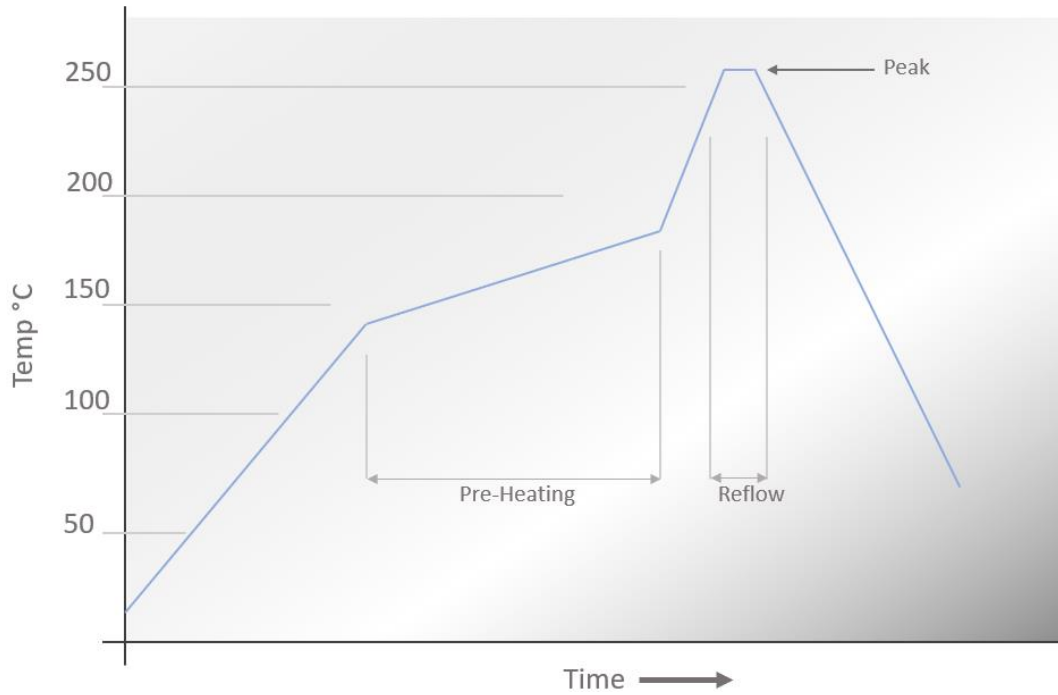
The circuit of the DEV kit along with the BOM is shown below. The matching network topology should be used on the device host PCB although the matching values will be dependent on the host PCB and device environment. Synzen provide a matching service to optimise your device to ensure the best performance, please contact [sales@synzen.com.tw](mailto:sales@synzen.com.tw) for more information.



Designator	Component Type	Value	Size	Manufacturing Part No.
A1	Antenna	LODESTAR	-	SZP-C-0G02
C1	Capacitor	8.2pF	0402	GRM0335C1H8R2DA01D
C2	Capacitor	1.0pF	0402	GRM0335C1H1R0CA01D
L1	Inductor	Not Fitted	0402	Do Not Place
R1	Resistor	0R	0402	Non-specific part
C3	Capacitor	15pF	0402	GRM0335C1H150JA01D
J1	SMA Connector	-	-	ACE solution A3SAFTST135

## Soldering

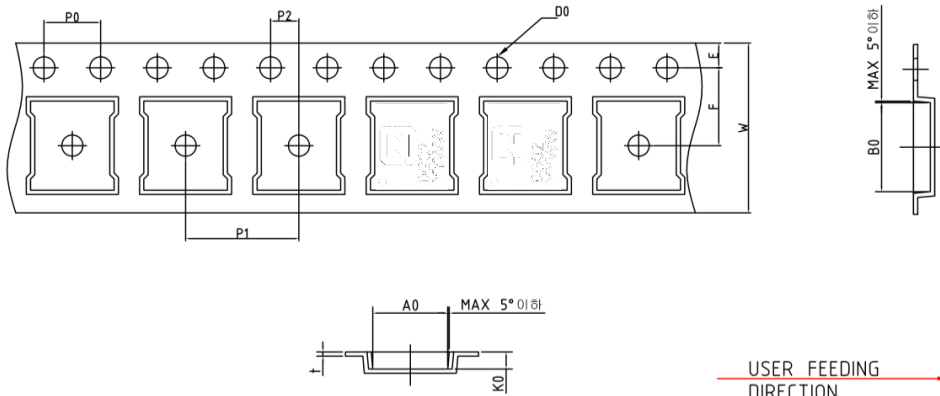
### Reflow Profile



<b>Pre-Heating</b>	130 - 180°C	50 to 190 seconds
<b>Reflow</b>	>220 °C	50 to 160 seconds
<b>Peak Temperature</b>	260 °C	15 to 45 seconds

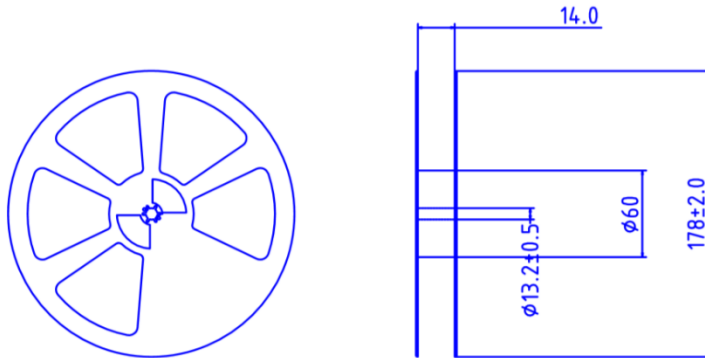
## Packaging

### Tape and Reel



1. 10 sprocket hole pitch cumulative tolerance  $\pm 0.2$
2. Camber not to exceed 1mm in 100mm.
3. A0 and B0 measured on a plane 0.1mm above the bottom of the pocket
4. K0 measured from a plane on the inside bottom of the pocket to the top surface of the carrier.

NAME	SPEC.
W	12.0 $\pm$ 0.3
E	1.75 $\pm$ 0.1
F	7.50 $\pm$ 0.1
Do	1.55 $\pm$ 0.05
P1	8.0 $\pm$ 0.1
Po	4.0 $\pm$ 0.1
P2	2.0 $\pm$ 0.1
Ao	5.30 $\pm$ 0.15
Bo	6.30 $\pm$ 0.15
Ko	1.20 $\pm$ 0.15
T	0.3 $\pm$ 0.05



ANTI-STATIC

REEL DIMENSION	Type	Color	Size	Hub
	PS	White	$\phi 178$	$\phi 60$



## Environmental

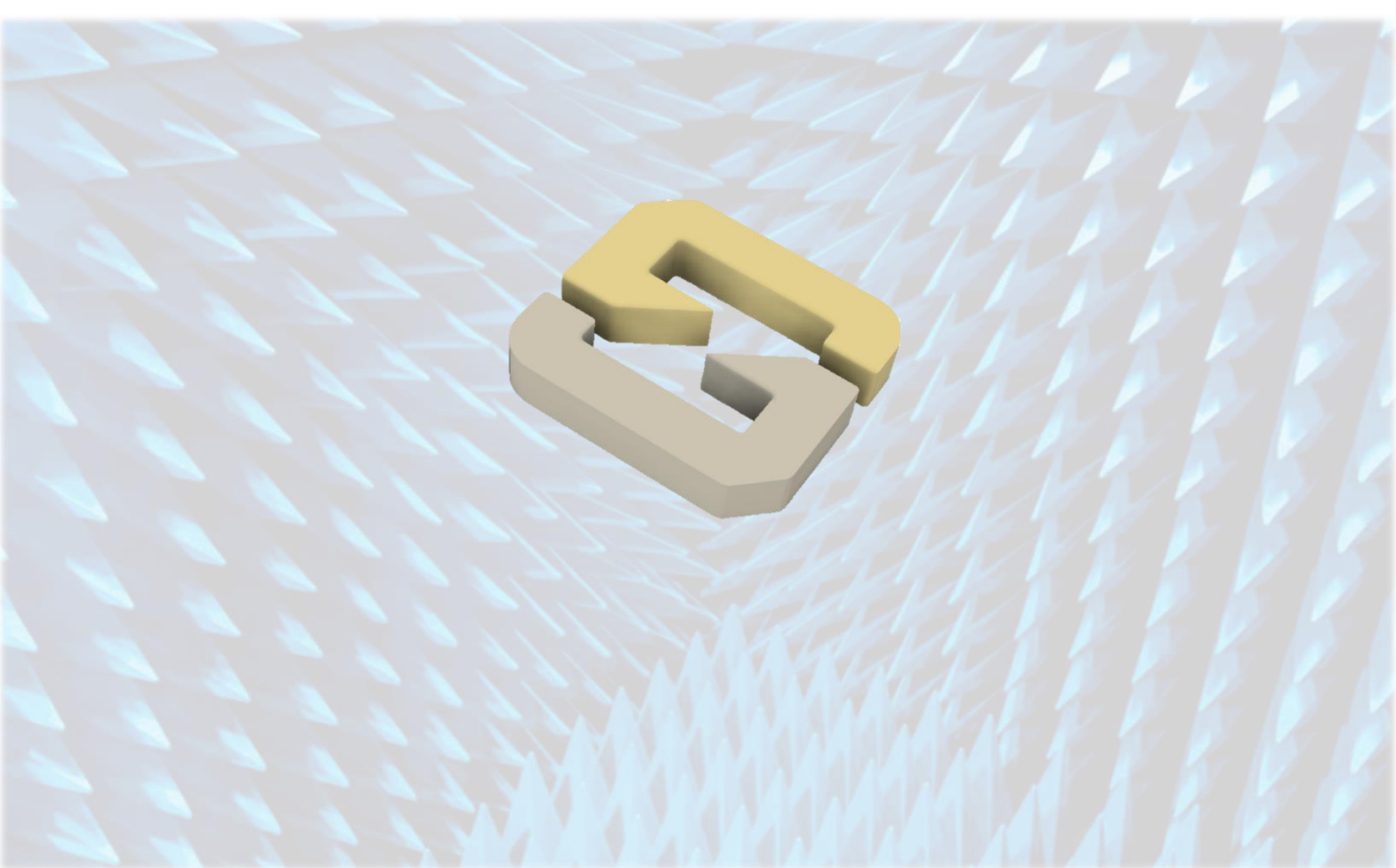
### Material Regulation

The antenna has been tested to conform to RoHS requirements. A certificate of conformance is available upon request.

This product is Halogen free.



**Synzen Precision Technology Ltd**



Synzen Precision Technology Ltd makes no warranties based on the accuracy or completeness of the contents of this document and reserves the right to make changes to specifications and product descriptions at any time without notice. Synzen reserves all rights to this document and the information contained herein. Reproduction use or disclosure to third parties without express permission is strictly prohibited.

