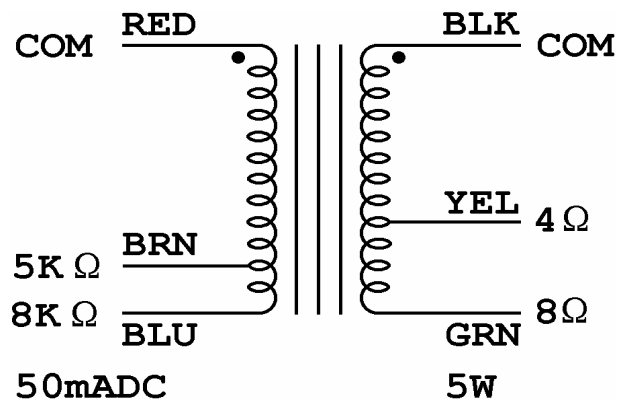
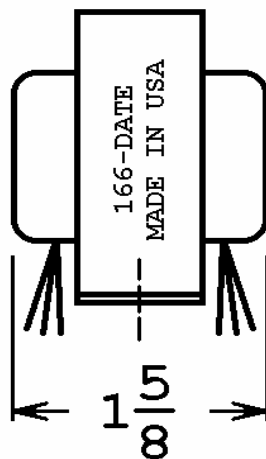
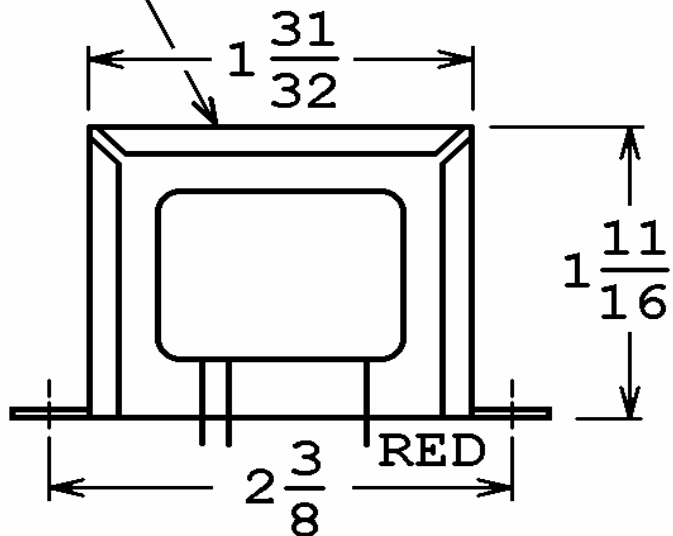


40-18030

This drawing is the property of Magnetic Components, Inc. and shall not be reproduced, in whole or in part, without the written permission of Magnetic Components, Inc.

REVISIONS			
LTR	DESCRIPTION	DATE	APPROVED
A	DEL TRU-TONE MARKING	05/04/09	M. Sacketti
B	ADD ClassicTone, PROPRIETARY NOTE	01/08/10	M. Sacketti
C	1-31/32 WAS 1-15/16. 1-11/16 WAS 1-5/8.	06/10/10	M. Sacketti



UNLESS OTHERWISE SPECIFIED		SIGNATURES		DATE		MAGNETIC COMPONENTS, INC.		DIV :		
ALL DIMENSIONS IN INCHES DO NOT SCALE DRAWING		DRAWN : <i>M. Sacketti</i>		29 APR 09		TITLE		LOC : SCHILLER PK		
FRACTIONS +/-		CHECK :				5W SINGLE-ENDED OUTPUT				
.X = +/-		APPR : <i>M. Sacketti</i>		29 APR 09		CAGE	50508	SIZE	PART No.	REV
.XX = +/-						SCALE	NONE	<b>A</b>	<b>40-18030</b>	<b>C</b>
.XXX = +/-										SHEET :
ANGLES = +/-										