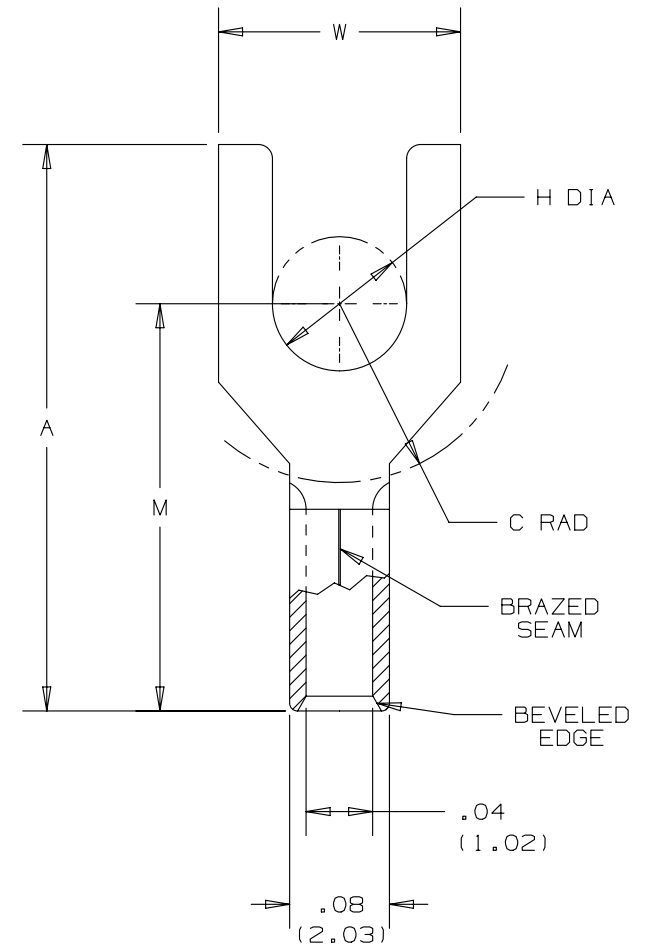


THIS COPY IS PROVIDED ON A RESTRICTED BASIS AND IS NOT TO BE USED IN ANY WAY DETRIMENTAL TO THE INTERESTS OF PANDUIT CORP.

| PANDUIT PART NUMBER | STUD SIZE | DIMENSIONS - in. | | | | | TOOL |
|---------------------|-----------|------------------|---------------|---------------|----------------|---------------|-----------------------|
| | | A +/- .03 | W +/- .01 | C +/- .015 | M +/- .03 | H +/- .01 | |
| P22-4F | #4 | .49 (12.45) | .19 (4.83) | .20 (5.08) | .39 (9.91) | .13 (3.30) | CT-100A (POCKET B) |
| P22-6F | #6 | .59 (14.99) | .25 (6.35) | .26 (6.60) | .47 (11.94) | .15 (3.81) | CT-200 |

NOTES:

1. RECOMMENDED FOR #26-22 SOLID OR STRANDED COPPER WIRE
2. MATERIAL:
A. STAMPING - .020 (0.51) THK COPPER, TIN PLATED
3. SEE WWW.PANDUIT.COM FOR PACKAGE QUANTITIES
4. DIMENSIONS IN BRACKETS ARE IN MILLIMETERS
5. WIRE STRIP LENGTH: 3/16 + 1/32 (4.8 + .8)
- 0 - 0



| REV | DATE | BY | CHK | APR | DESCRIPTION | ECN |
|-----|------|------|------|-----|---|-------------|
| 07 | 4/14 | JHNU | JHNU | RGB | REVISED LAYOUT OF TOOL IN TABLE | N41229BA-DC |
| 06 | 4/14 | JHNU | JHNU | RGB | REVISED NOTES, TABLE REVISED TITLE BLOCK | N41229BA-DC |

| | | | | |
|--|------|--|-------|------|
| TITLE | | #26-22 BARREL NON-INSULATED FORK TONGUE | | |
| | | CUSTOMER DRAWING | | |
| ITEM REVISION NAME | | N41229BA/07 | | |
| DATASET FILE NAME | | N41229BA/07 | | |
| UNLESS OTHERWISE SPECIFIED, DIMENSIONAL TOLERANCES ARE: IN (mm) | | MATERIAL: SEE NOTES | | |
| .X ± .XX ± | | .XXX ± ANGLES ± | | |
| | | DRAWING NUMBER: N41229BA-DC | | |
| DRAWN BY | DATE | CHK | SCALE | SIZE |
| DAW | | | N/A | A |
| | | SHT 1 OF 1 | | |

D10100DA/16