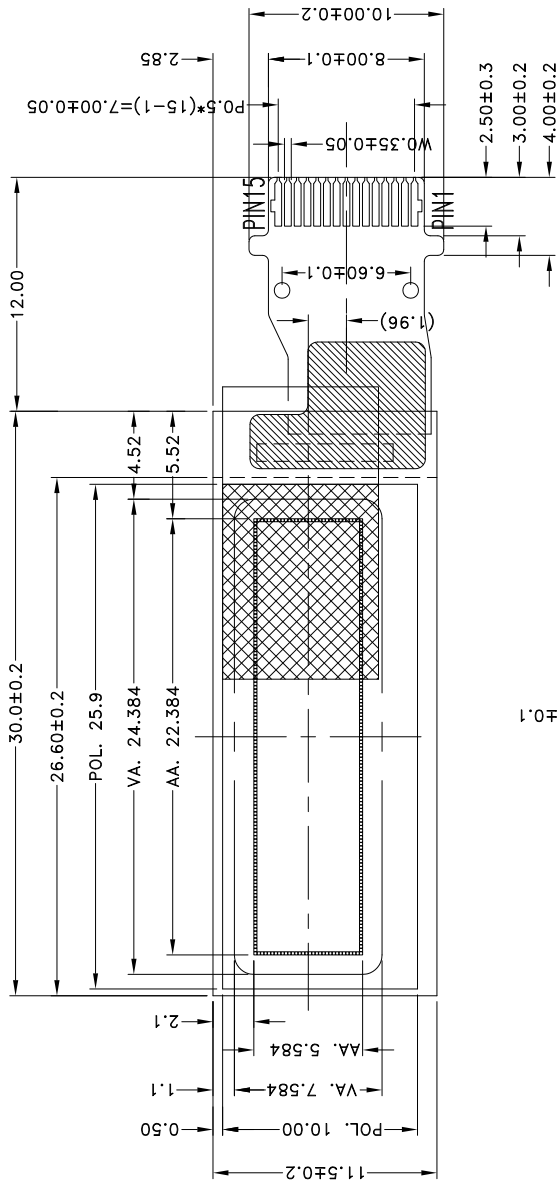


Outline Drawing

No:	PIN NAME
1	C2P
2	C2N
3	C1P
4	C1N
5	VBAT
6	VSS
7	VDD
8	CS
9	RES
10	D/C
11	SCLK
12	SDIN
13	IREF
14	VCOMH
15	VCC



NOTES:

- 1.DISPLAY TYPE: OLED
- 2.DRIVE IC: SSD1306
- 3.OPERATING TEMP: -40°C ~ 85°C
- 4.STORAGE TEMP: -40°C ~ 85°C
- 5.DRIVE METHOD: 1/32 DUTY
- 6.General Tolerance : ±0.3mm
- 7.RoHS Compliant

DLC Display Co., Limited

www.dlcdisplay.com

DRAWN BY:	TITLE: DLC0091CNOG-W-1	
CHECKED BY:	DWG NO:	SCALE:
APPROVED BY:	DWG NAME:	UNIT: mm
CONFIRMED BY:	SHEET NO: OF	