



American Opto Plus LED

L-519EGW

5mm Dia LED LAMP – WHITE DIFFUSED

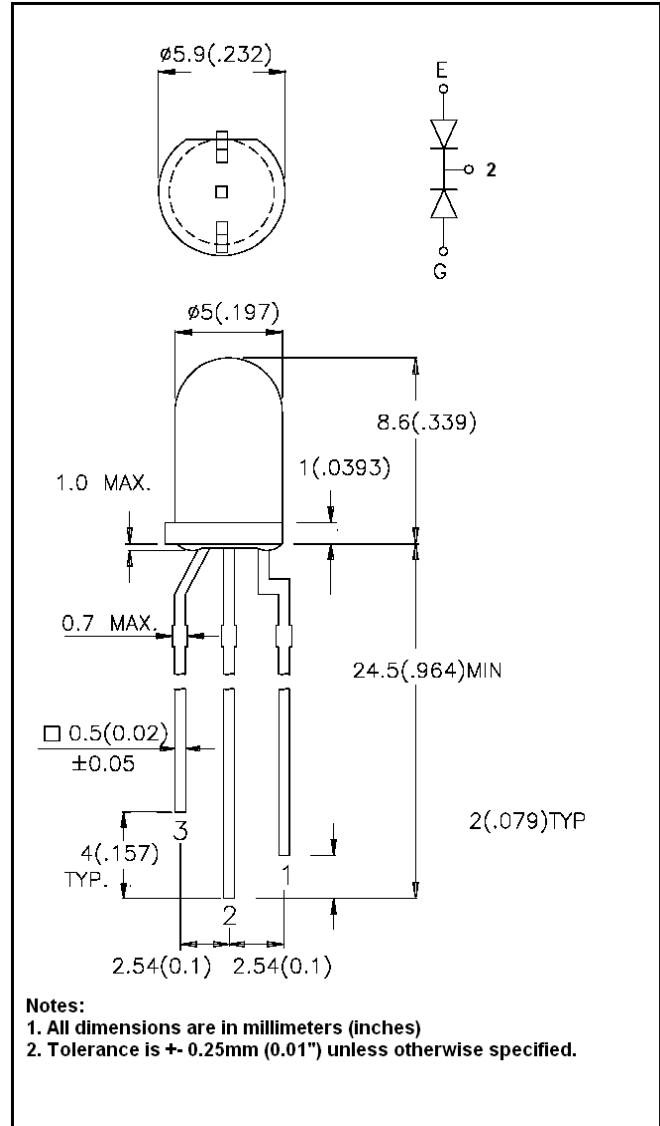
- ◆ 5.0mm DIA LED LAMP
- ◆ I.C. COMPATIBLE
- ◆ LOW POWER CONSUMPTION
- ◆ HIGH LUMINOUS INTENSITY

DESCRIPTION

- Standard LED Lamp
- Round type
- T1-3/4 (5mm) diameter
- Lens color: White Diffused Lens
- With Flange
- Solder leads without stand-off

FEATURES

- Emitted color: Red/Green
- Standard intensity
- Technology: GaAsP/GaP
- Peak wavelength $\lambda_p = 635/565\text{nm}$
- Viewing angle: 60°



SELECTION GUIDE

Chip Material	Chip Emitted	Lens Color	Viewing Angle
GaAsP/GaP	Red/Green	White Diffused	60°



American Opto Plus LED

L-519EGW

5mm Dia LED LAMP – WHITE DIFFUSED

- ◆ 5.0mm DIA LED LAMP
- ◆ I.C. COMPATIBLE
- ◆ LOW POWER CONSUMPTION
- ◆ HIGH LUMINOUS INTENSITY

ABSOLUTE MAXIMUM RATINGS

(Ta=25°C)

PARAMETER	SYMBOL	MAX. RATING	Unit
Power Dissipation	P _D	100	mW
Peak Forward Current (1/10 Duty Cycle @1KHz)	I _{PF}	160	mA
Continuous Forward Current	I _{AF}	30	mA
Reverse Voltage	V _R	5.0	V
Operating Temperature Range	T _{OPR}	-40~+80	°C
Storage Temperature Range	T _{STG}	-40~+100	°C

Solder temperature 1.6 mm from body for 3 seconds at 260°C

OPTICAL-ELECTRICAL CHARACTERISTICS

PARAMETER	SYMBOL	TEST CONDITION	MIN	TYP	MAX	UNIT
Luminous Intensity Red	I _V	I _F = 20mA	8	20		mcd
Luminous Intensity Green	I _V	I _F = 20mA	5	15		mcd
Forward Voltage Red	V _F	I _F = 20mA	1.7	2.0	2.8	V
Forward Voltage Green	V _F	I _F = 20mA	1.7	2.1	2.8	V
Reverse Current	I _R	V _R = 5V			10	A
Viewing Angle	2θ _{1/2}	I _F = 20mA		60		deg.
Dominant Wavelength Red	λ _P	I _F = 20mA		635		nm
Dominant Wavelength Green	λ _D	I _F = 20mA		565		nm
Δλ Red	Δλ	I _F = 20mA		45		nm
Δλ Green	Δλ	I _F = 20mA		30		nm

*Tolerance of Viewing Angle: -10 / +5 deg.