

## Data sheet

### E-DAT modul IP44 surface mounting housing unequipped

Page 1/6

P/N

1309430003-E

EAN 4250184106609

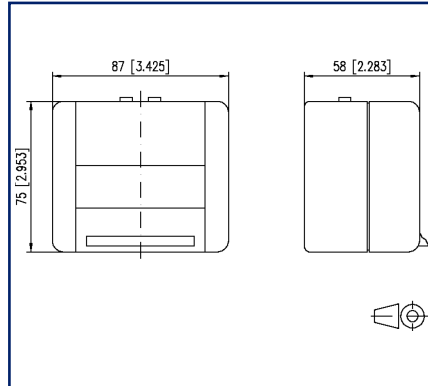
2022/07/15

Version: P

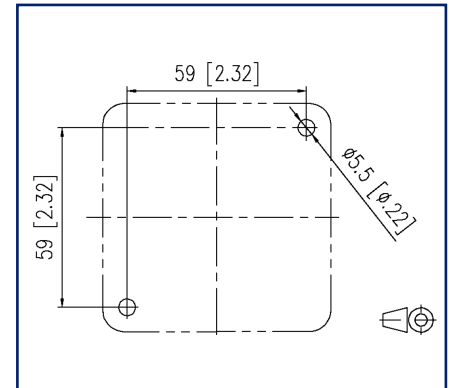
## Illustrations



Dimensional drawing



Drill pattern



See enlarged drawings at the end of document

## Product specification

- IP44 flat surface-mounted housing for two individual modules in Modul design
- IP44 protection only when closed (without plugged in patch cable)
- cable feed for one or two cables from the top
- break-proof
- gray color



# P | Cabling

Data sheet

Page 2/6

## E-DAT modul IP44 surface mounting housing unequipped

P/N

1309430003-E

EAN 4250184106609

2022/07/15

Version: P

### Technical Data

#### General Data

Fields of application	office areas
Mechanical measurement according to MICE	M1
Ingress measurement according to MICE	I1
Climatic measurement according to MICE	C1
Electromagnetic measurement according to MICE	E3
Design	wall outlet
Mounting style	AP
Color	gray
Dimensions	
Dimension (L x W x H)	58 mm x 87 mm x 75 mm
Dimension (L x W x H)	2.283 in. x 3.425 in. x 2.953 in.
Modularity	yes
Labeling option	on housing

#### Connections/interfaces

Number of ports interface 2	2
Number of ports interface 2 equipped	0
Cable access/outlet	90° from the top

#### Mechanical data

Cut-out	module
---------	--------

#### Materials and material properties

Material - Housing	Thermoplastic
Halogen free	yes
Silicone free	no paint wetting interfering substances (LaBS) in the process chain
LaBS Note	subsequent contamination possible due to handling and possible storage in your company
RoHS	compliant
REACH	compliant



# P | Cabling

Data sheet

Page 3/6

## E-DAT modul IP44 surface mounting housing unequipped

P/N

1309430003-E

EAN 4250184106609

2022/07/15

Version: P

### Technical Data

#### Environmental conditions

Particulate ingress	IP4X when closed
Liquid ingress/immersion	IPX4 when closed

#### Classifications

ETIM 5.0	EC001264
ETIM 6.0	EC001264
ETIM 7.0	EC001264
ETIM 8.0	EC001264

#### Packing details

Type of packaging	10 pc(s) / box
Packaging unit - Weight (gram)	135 g
Packaging unit - Weight (pound)	0.3 lb
Packaging dimension	115 mm x 93 mm x 90 mm
Packaging dimension	4.528 in. x 3.661 in. x 3.543 in.



# P | Cabling

Data sheet

Page 4/6

## E-DAT modul IP44 surface mounting housing unequipped

P/N

1309430003-E

EAN 4250184106609

2022/07/15

Version: P

### Accessories

P/N	Designation
130910-I	E-DAT modul Cat.6 <sub>A</sub> 8(8) jack, T568A
130910-I-B1	E-DAT modul Cat.6 <sub>A</sub> 8(8) jack, T568B
130910-Z	E-DAT modul Cat.6 <sub>A</sub> 8(8) jack, T568A (12 pcs)
1309A0-I	E-DAT modul coupler 8(8) 180° class E <sub>A</sub>
130B11-E	C6 <sub>A</sub> modul 180° jack

# P | Cabling

Data sheet

Page 5/6

## E-DAT modul IP44 surface mounting housing unequipped

P/N

1309430003-E

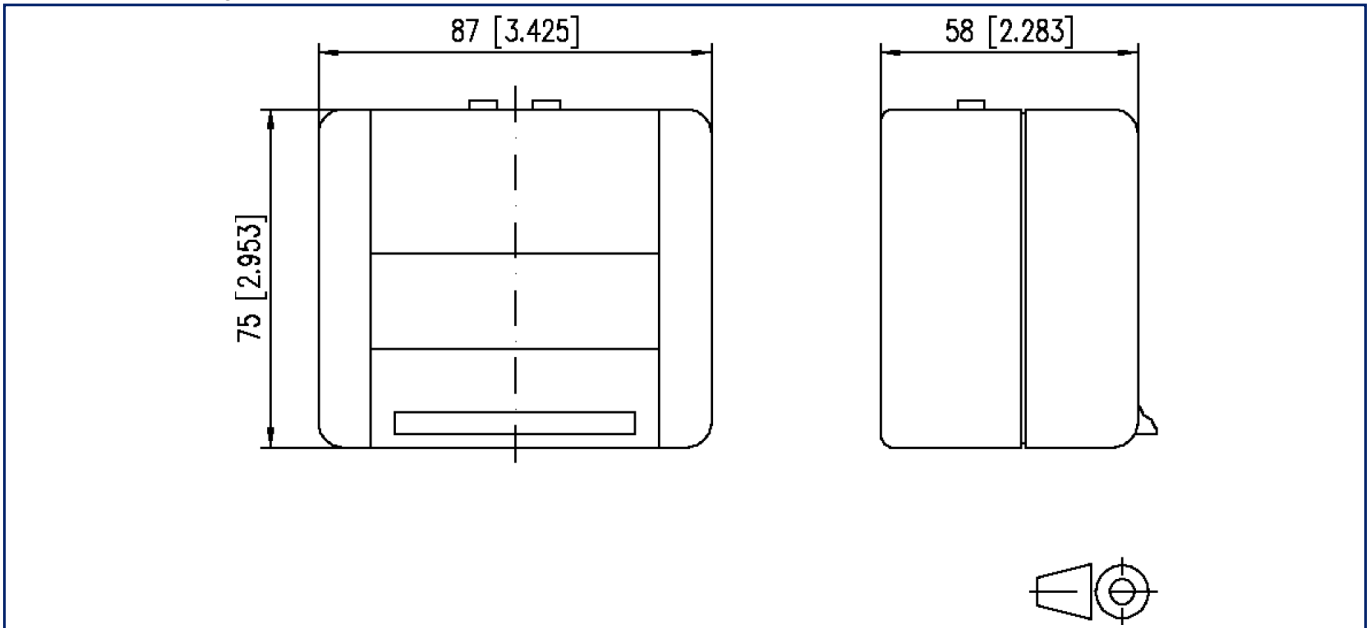
EAN 4250184106609

2022/07/15

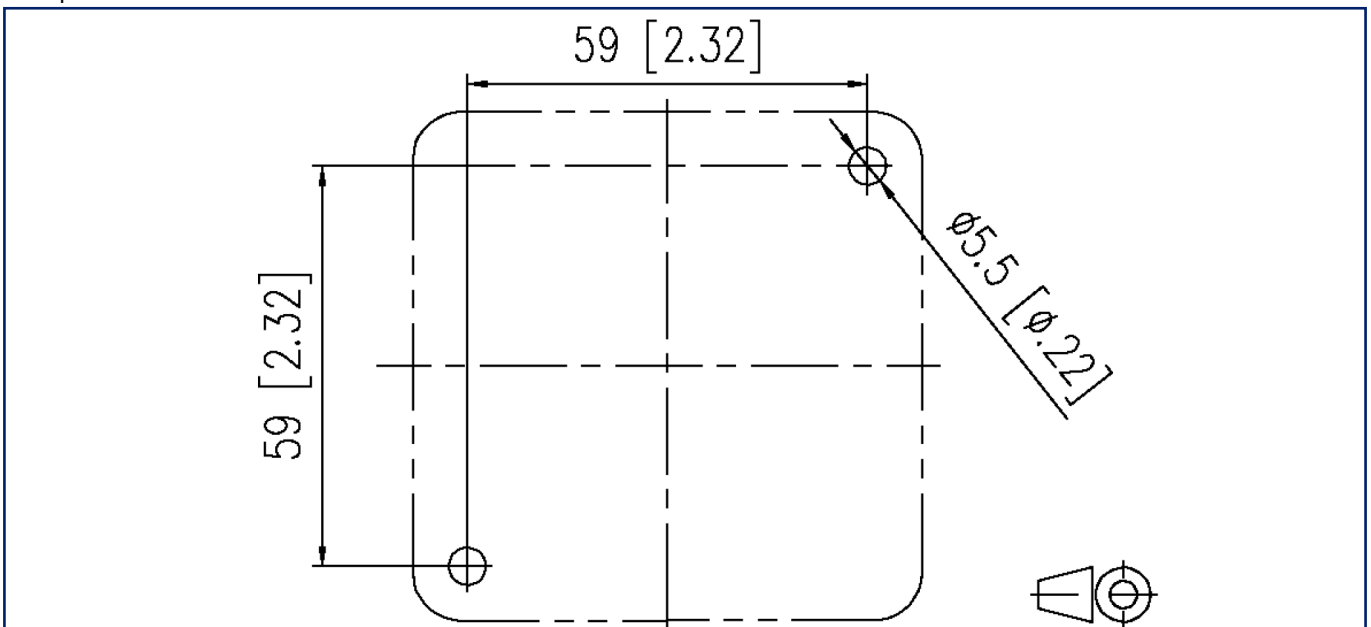
Version: P

### Illustrations

Dimensional drawing



Drill pattern



# P | Cabling

Data sheet

Page 6/6

## E-DAT modul IP44 surface mounting housing unequipped

P/N

1309430003-E

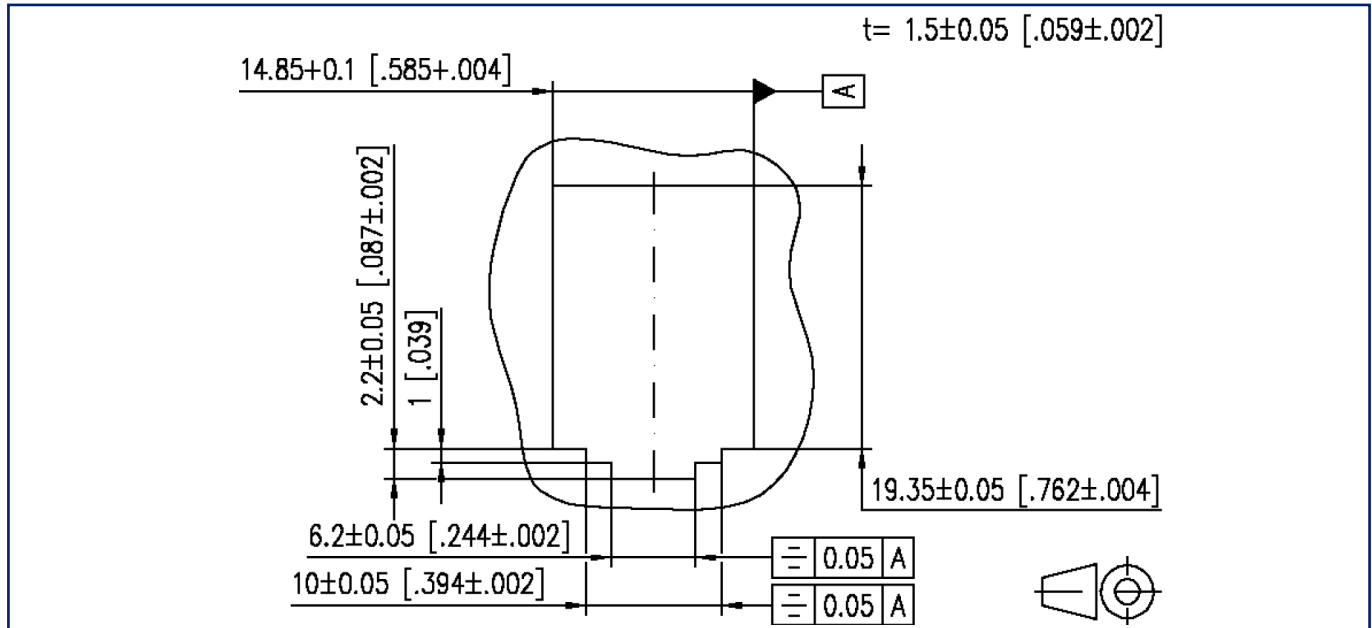
EAN 4250184106609

2022/07/15

Version: P

### Illustrations

Cut-out



Wiring diagram

