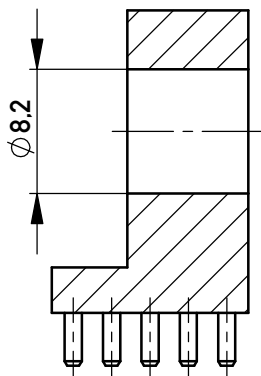
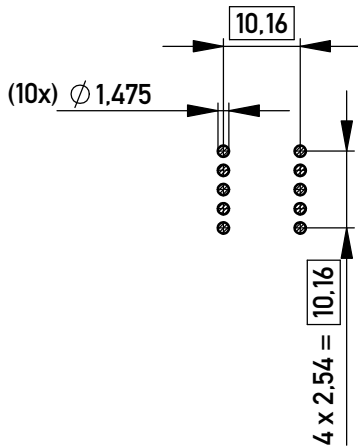


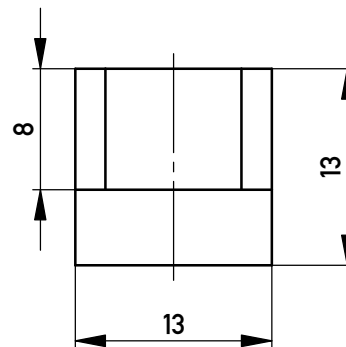
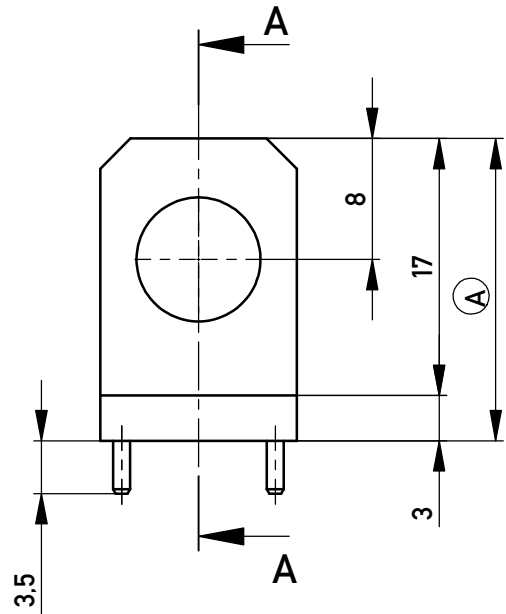
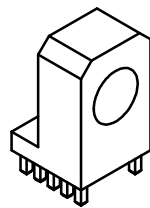
Schnitt A-A
cross section A-A



Layout - Vorschlag
PCB - Layout proposal
M / scale 1:1



M / scale 1:1



2-6µm Sn matt über 2-4µm Cu
2-6µm sn matt over 2-4µm cu

Ⓐ Oberfläche / plating

Information:	Tolerances	<p>All Dimensions in mm</p>	Scale	2:1
			Material:	CuZn39Pb3
<p>All rights reserved. Only for Information. To ensure that this is the latest version of this drawing, please contact one of the ERNI companies before using.</p>	<p>Subject to modification without prior notice. Drawing will not be updated.</p>		Designation	
			<p>PowerElement angled <i>two row population d 8,2</i></p>	
b	21.02.2018	<p>www.ERNI.com</p>	<p>225721</p>	
Index	Date			
			<p>I A4</p>	

Copyright by ERNI Production GmbH & Co. KG
Proprietary notice pursuant to ISO 16016 to be observed.