



*Quality Products. Service Excellence.*

## 3000-5000 BTU/H Outdoor Slimline Air Conditioner *DTS SL Series*

Type 3R, 4, 4X, Side Mounting



### Description

- Narrow design for side mounting on any enclosure surface where hot spot or low capacity cooling is required.
- Closed loop cooling ensures clean enclosure air is recirculated without ever mixing with contaminated ambient air.

### Standards

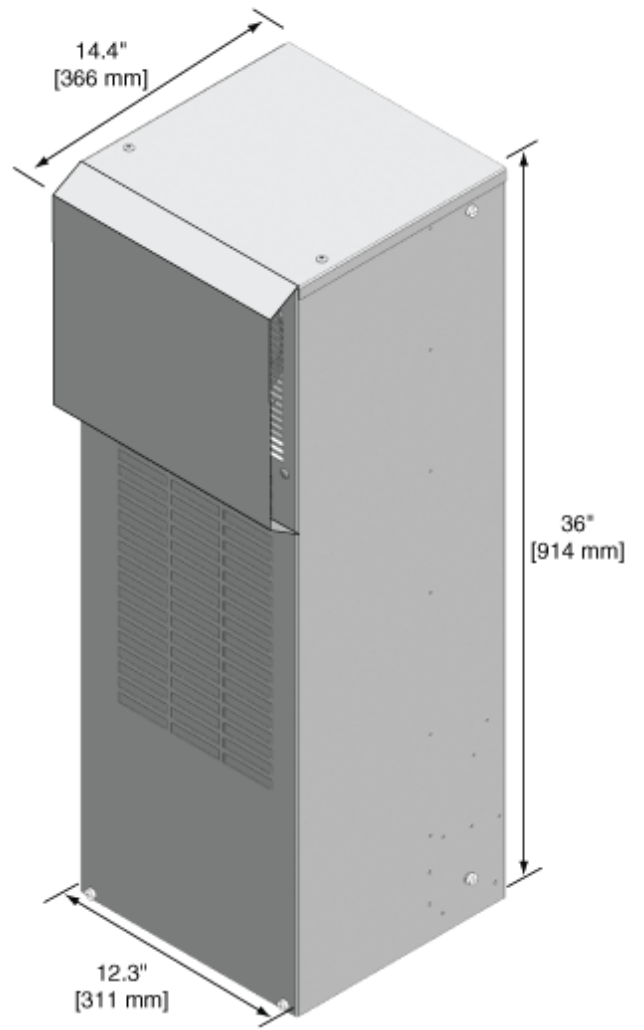
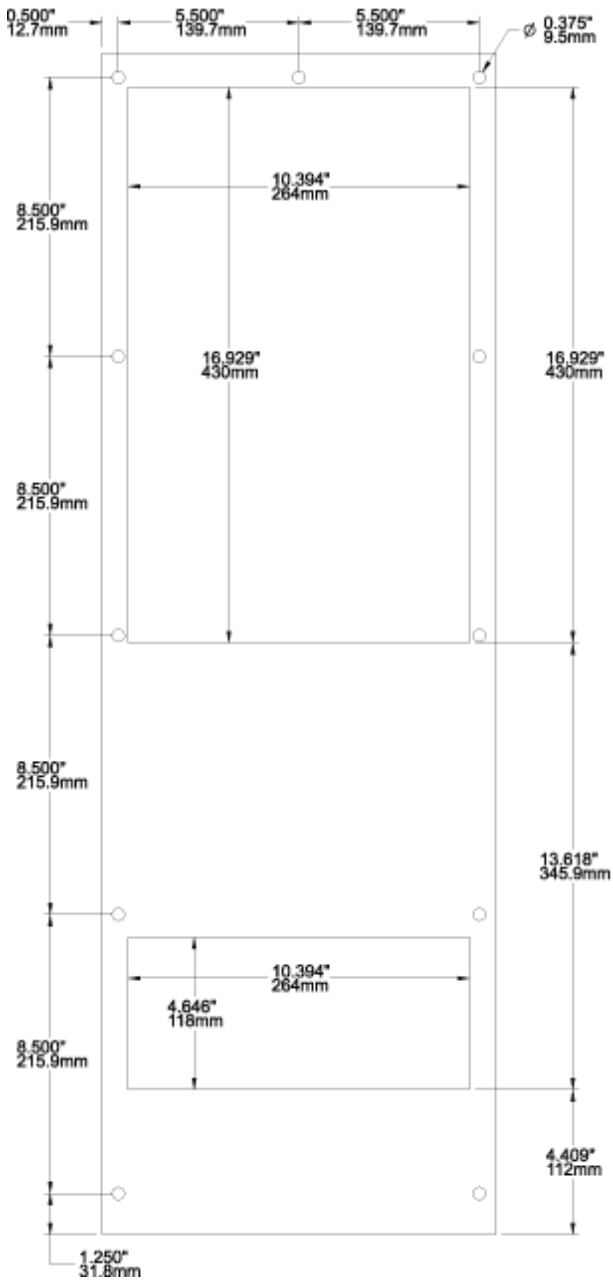
- Complies with
  - NEMA 3R, 4, 4X rating
- IP 56
- UL, cUL and CE

### Features

- R134a refrigerant.
- Thermostat control accessible from inside enclosure.
- Expansion valve increases efficiency with improved evaporator heat transfer and less frequent compressor operation.
- Built in condensor/evaporator
- Continuous air circulation from high capacity fans.
- EMI/RFI suppression meets CE.
- Self-diagnostics on startup.
- Fault indication via LED light.
- Door contact for power down when enclosure door is opened.
- Gasket, mounting kit and template for cutout and drilling are included.
- Condensate drain hose and clamp

### Accessories

- Remote Door Switches
- Gasket Kits
- Condensate Bottle
- Filter Kits
- Water Condensate Evaporator



| Part Number     | Type Rating |
|-----------------|-------------|
| DTS3161SLA2N3LG | 3R, 4       |
| DTS3161SLA4N3LG | 3R, 4       |
| DTS3181SLA2N4SS | 4X          |
| DTS3181SLA4N4SS | 4X          |

\* For ANSI 61 Gray replace LG with GY

| Electrical Data    | DTS3161SLA2N3LG | DTS3161SLA4N3LG |
|--------------------|-----------------|-----------------|
|                    | DTS3181SLA2N4SS | DTS3181SLA4N4SS |
| Rated Voltage      | 230 V 50/60 Hz  | 460 V 50/60 Hz  |
| Range of Operation | 198-252 V       | 360-506 V       |
| Power Consumption  | 890 W           | 751 W           |
| Running Amps       | 4.0 A           | 1.9 A           |
| Starting Current   | 14.8 A          | 14.8 A          |
| Line Cord          | Terminal Block  | Terminal Block  |

| Refrigeration Data                               |                              |
|--|------------------------------|
| Cooling Capacity BTU/h ( Watts) +95/+95F +35/35C | 5097 BTU/h (1493 Watts)      |
| Type of Refrigerant                              | R134a                        |
| Adjustable Control Range                         | + 59...+ 113F / + 15...+ 45C |
|  | Factory setting +95 F (+35C) |
| Max Ambient Air Temp                             | +131 F (+55 C)               |
| Min Ambient Air Temp                             | +32 F (+0 C)                 |
| Air Capacity (unrestricted)                      | Internal Circulation 350 CFM |

| Refrigeration Data   |                                 |
|----------------------|---------------------------------|
|                      | External Circulation 350 CFM    |
| Condensate Discharge | Condensate Evaporator           |
| Filter Mat           | Filterless                      |
| Db Noise Level       | <70 dB (A)                      |
| Unit Weight          | 108 lbs (49 kg)                 |
| Exterior Case        | Galvanized Sheet Steel          |
| Finish LG            | RAL7035 light Gray              |
| Finish GY            | ANSI 61 Gray                    |
| Finish SS            | 304 Stainless Steel # 4 brush   |
| Nema Rating          | Enclosures IP 54/Nema 3R, 4, 4X |

*Data subject to change without notice*

© 2023. Hammond Manufacturing Ltd. All rights reserved.