

**PLEASE CHECK WWW.MOLEX.COM FOR LATEST PART INFORMATION**

**Part Number:** [0352700410](#)  
**Status:** **Active**  
**Description:** 6.00mm Tab Wire-to-Wire Receptacle Housing, Secondary Lock, 4 Circuits

**Documents:**

[Drawing \(PDF\)](#) [Packaging Specification PK-35270-001 \(PDF\)](#)  
[Product Specification PS-35270-001 \(PDF\)](#) [RoHS Certificate of Compliance \(PDF\)](#)

**General**

Product Family	Crimp Housings
Series	35270
Application	Power, Wire-to-Wire
Product Name	N/A
UPC	756054264027

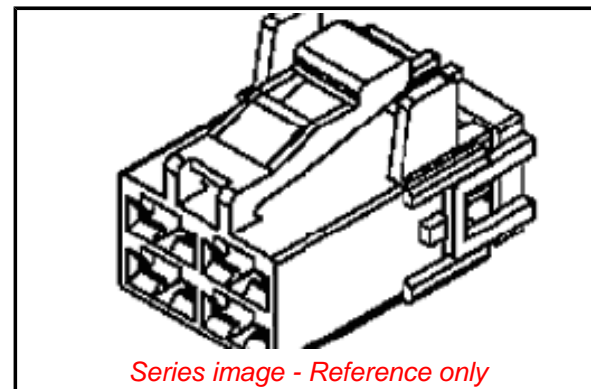
**Physical**

Circuits (maximum)	4
Color - Resin	Natural
Gender	Female
Glow-Wire Compliant	No
Material - Resin	Polyester
Net Weight	4.003/g
Number of Rows	2
Packaging Type	Bag
Panel Mount	No
Pitch - Mating Interface	9.00mm
Pitch - Termination Interface	9.00mm
Stackable	No
Temperature Range - Operating	-40°C to +80°C

**Material Info**

**Reference - Drawing Numbers**

Packaging Specification	PK-35270-001
Product Specification	PS-35270-001



**EU ELV**

**Compliant**

**EU RoHS**

**Compliant**

**REACH SVHC**

Contains SVHC(2015  
June 15): No

**Halogen-Free**

**Status**

**Not Relevant**

**Need more information on product environmental compliance?**

Email [productcompliance@molex.com](mailto:productcompliance@molex.com)  
Please visit the [Contact Us](#) section for any non-product compliance questions.

China ROHS

ELV

Not Relevant

Compliant

**Search Parts in this Series**

[35270](#) Series

**Mates With**

[35272](#)

**Use With**

[35427](#) , [35430](#)