

## Industrial 2-port 10/100/1000T 802.3at PoE+ Injector Hub



### Advanced 802.3at PoE+ Network Solution

PLANET IPOE-260 2-Port, Mid-span Industrial IEEE 802.3at Power over Ethernet Plus Injector Hub series provides a maximum of up to 36 watts of power output over Ethernet cables. It frees the security IP camera and wireless AP deployment from restrictions of power outlet locations and the additional AC wiring. It thus reduces cables and eliminates the need for electrical outlets on the wall or ceiling, and most of all, it reduces installation time.

The IPOE-260 series includes two models: IPOE-260 and IPOE-260-12V

Model	DC Input	PoE Standard	PoE Budget
IPOE-260	48~56V DC	IEEE 802.3at	72 watts
IPOE-260-12V	12~56V DC	IEEE 802.3at	72 watts



### Quick and Easy High Power PoE Network Deployment

The IPOE-260 series can deliver 36-watt 54V DC power over Cat. 5/5e/6 Ethernet cables which allow data and power to transmit simultaneously through the cable between the injector (IPOE-260 series) and PoE PD (powered device) or PoE splitter (IPOE-162S). The maximum distance between the Injector and Splitter is 100 meters. The IPOE-260 series is also compatible with IEEE 802.3af PoE PD or PoE splitter and provides a maximum of up to 15.4-watt power output. With Industrial IEEE 802.3at Power over Ethernet Plus devices installed, the system administrator only has to use one single RJ45 Ethernet cable to carry both power and data to each device. It would make the network deployment easier and more reliable.

### Interface

- 4 10/100/1000BASE-T RJ45 interfaces
  - 2-port **Data + Power** output
  - 2-port **Data input**
- 1 terminal block for master and slave power input with reverse polarity protection
- Power Range: 48 ~ 56V DC redundant power (IPOE-260)
- Power Range: 12 ~ 56V DC redundant power (IPOE-260-12V)
- LED indicators for power LED and PoE-in-use

### PoE

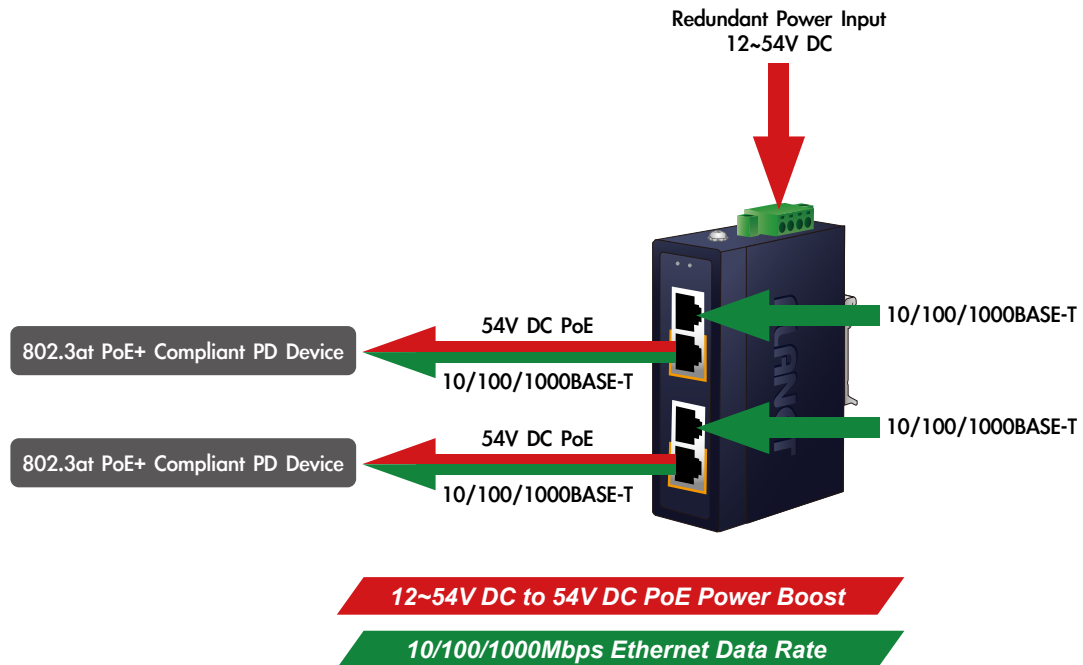
- Gigabit Power over Ethernet Plus mid-span PSE
- IEEE 802.3at PoE+ compliant
- IEEE 802.3at splitter devices compatible
- Supports PoE Power up to 36 watts for PoE port
- Provides DC 54V power over RJ45 Ethernet cable to device
- Auto-detection of PoE IEEE 802.3af/at devices
- Remote power feeding up to 100m

### Industrial Case and Installation

- IP30 slim metal case
- DIN-rail, wall-mount or side wall-mount design
- Supports 6KV DC Ethernet ESD protection
- -40 to 75 degrees C operating temperature

*Convenient and Reliable Power System*

To facilitate the 802.3at PoE usage with commonly used **12~54V DC** power input for transportation and industrial-level applications, the IPOE-260-12V adopts 12~54V DC to 54V **power boost** technology to solve power source issue but does not require special power supplies. Its wide-ranging voltages design is suitable for worldwide operability with high availability applications requiring dual or backup power inputs.



*Environmentally Hardened Design for Industrial PoE Networks*

The IPOE-260 series is specifically designed with durable components and strong housing case to operate reliably in electrically harsh and climatically demanding environments like plant floors or curbside traffic control cabinets. The IPOE-260 series is packaged in a compact, IP30 rugged case that allows either DIN-rail or wall mounting to have the efficient use of cabinet space. It is ideal for service providers, campuses and public areas to deploy PoE wireless access points, IP cameras or IP phones in any places easily and efficiently with cost-effectiveness. It can also operate in a wide temperature range of -40 to 75 degrees C, so it can be placed in almost any location.



**DIN-rail Mounting**



**Wall Mounting**

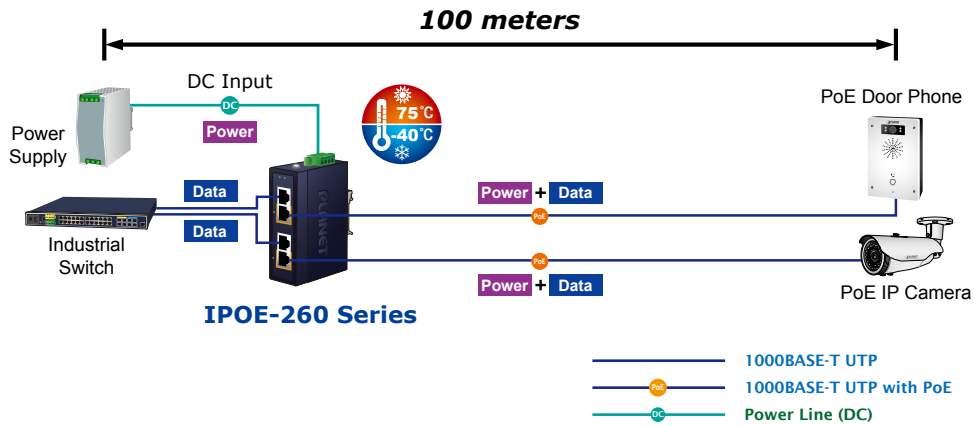


**Side Wall Mounting  
(Space saving)**

## Applications

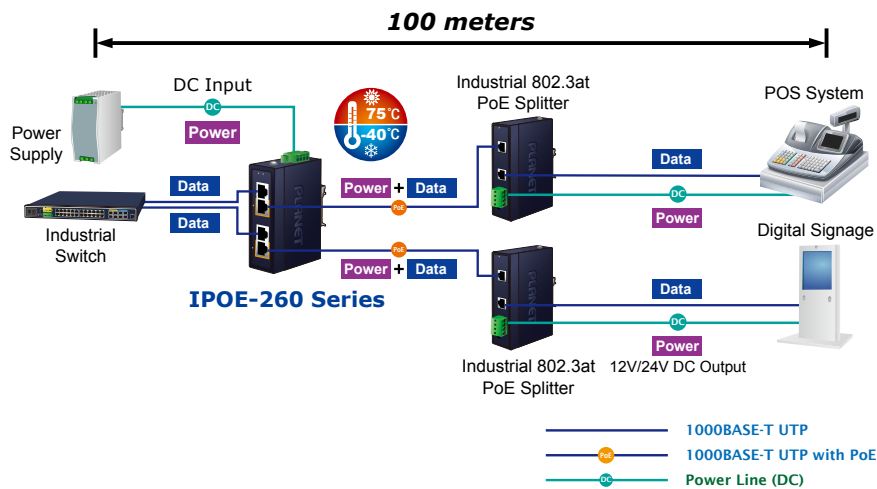
### Connecting to IEEE 802.3at Compliant Devices

Having the capability of IEEE 802.3at Power over Ethernet standard, the IPOE-260 series can directly connect and inject power via RJ45 Ethernet cable to any IEEE 802.3at end-nodes like PTZ (Pan, Tilt & Zoom) IP cameras, color touch-screen voice over IP (VoIP) telephones, multi-channel wireless LAN access points and other network devices.



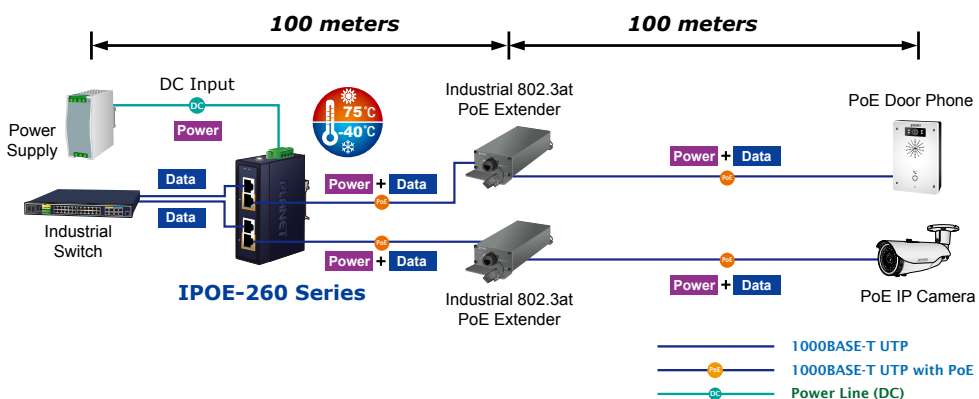
### Installation of 802.3at PoE+ Injector and Splitter

For a place which is hard to find the power inlet, the IPOE-260 series and IPOE-162S can operate as a pair to provide the easiest way to power your Ethernet devices which need high power input, such as PTZ (Pan, Tilt & Zoom) IP cameras, color touch-screen voice over IP (VoIP) telephones, and multi-channel wireless LAN access points installed on the top of the building or in enterprise office or home.



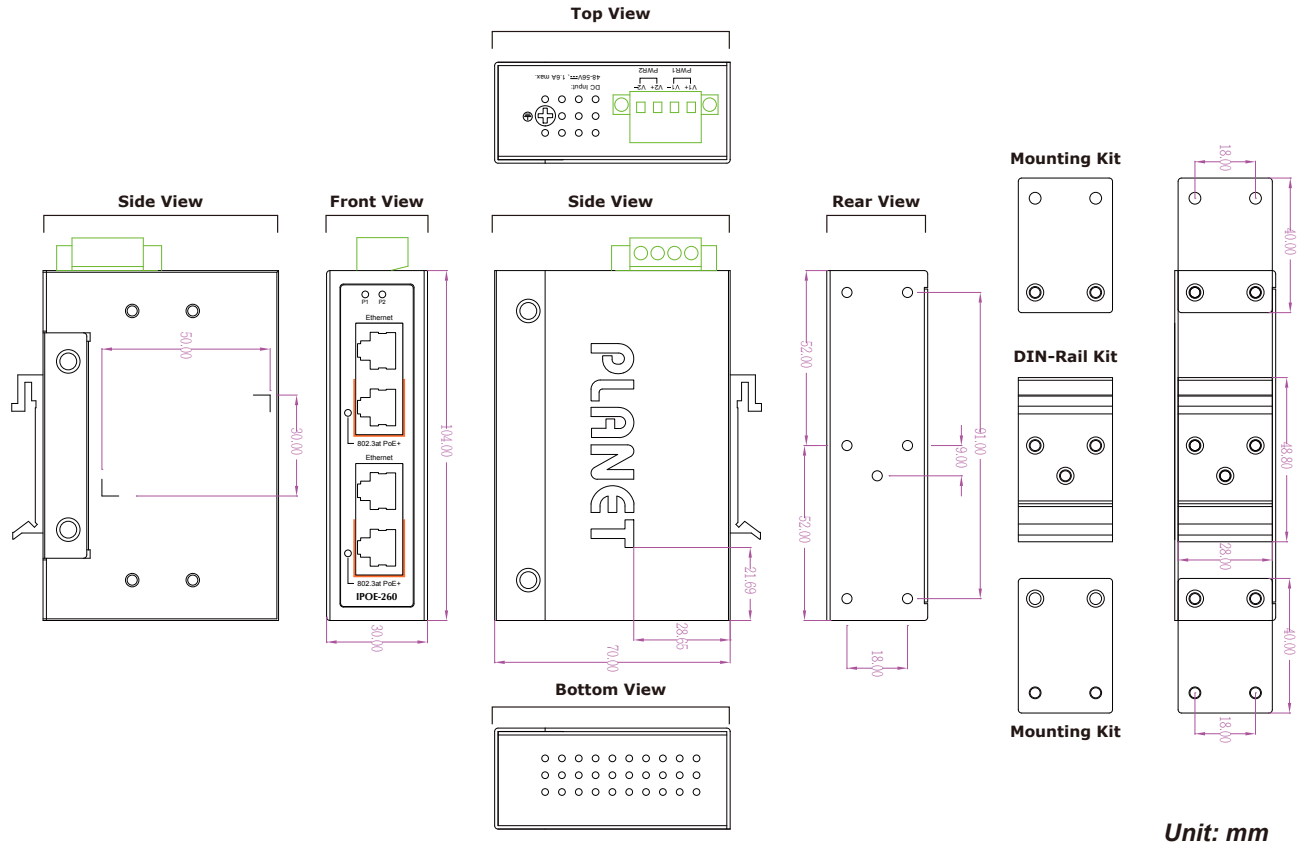
### Extended Installation of IEEE 802.3at Injector and PoE Network

Is 100-meter cable long enough for a wide range of IP surveillance deployments? The answer is certainly not. To achieve the benefits of IP surveillance and also the long-distance IP camera distribution, the IPOE-260 series and PLANET PoE Extender, IPOE-E202, can be a quick and cost-effective option. In the simplest application, the PoE Extender enables a PoE IP camera to be installed up to 200 meters away from the IPOE-260 series. The IPOE-260 series delivers PoE power over the first 100 meters to the PoE Extender over UTP cables, and then the PoE Extender forwards the Ethernet data and remaining PoE power to the remote PoE IP cameras.

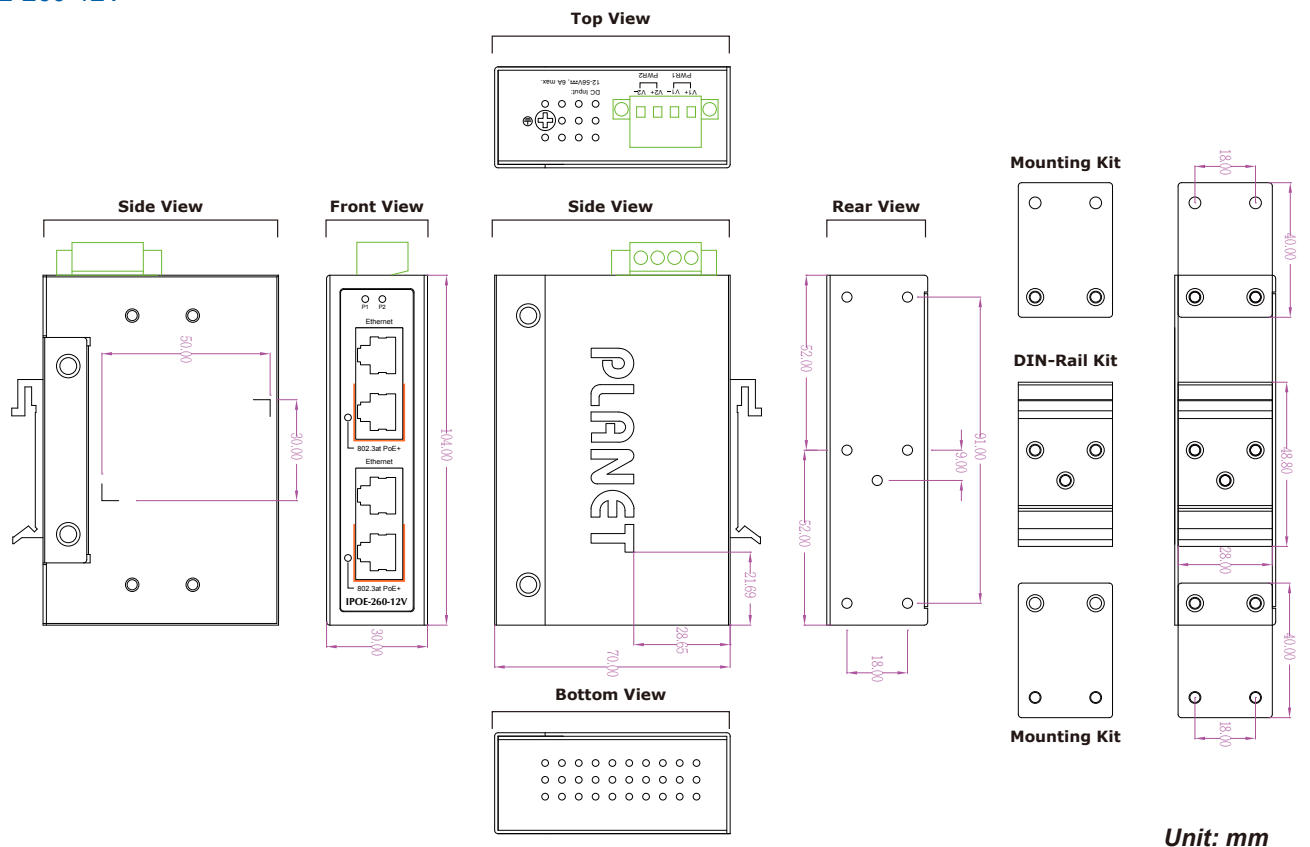


## Drawing

### IPOE-260



### IPOE-260-12V



## Specifications

Model	IPOE-260	IPOE-260-12V
<b>Hardware Specifications</b>		
Copper Ports	2 pair 10/100/1000BASE-T RJ45 auto-MDI/MDI-X ports: <ul style="list-style-type: none"> <li>■ Data input port 1 and PoE output port 1</li> <li>■ Data input port 2 and PoE output port 2</li> </ul>	
Connector	Removable 4-pin terminal block Pin 1/2 for Power 1; Pin 3/4 for Power 2	
LED Indicators	System: Power 1 (Green) Power 2 (Green) PoE Port: 802.3at PoE+ x 1 (Green + Orange)	
Network Cable	Twisted-pair cable up to 100 meters (328ft) 10BASE-T: 4-pair UTP Cat. 3, 4, 5, 5e, 6 100BASE-TX: 4-pair UTP Cat. 5, 5e, 6 1000BASE-T: 4-pair UTP Cat. 5e, 6	
Data Rate	10/100/1000Mbps	
Power Requirements	48~56V DC, redundant power with reverse polarity protection function.	12~56V DC, redundant power with reverse polarity protection function.
Power Consumption (Ethernet Full Loading)	Max. 2 watts/6.8 BTU (Power on without any connection) Max. 80 watts/272.9 BTU (Full loading with PoE function)	Max. 4 watts/13.6 BTU (Power on without any connection) Max. 80 watts/272.9 BTU (Full loading with PoE function)
Dimensions (W x D x H)	30 x 70 x 105 mm	
Weight	280g	
Enclosure	IP30 metal case	
Installation	DIN-rail, wall-mount or side wall-mount design	
ESD Protection	6KV	
EFT Protection	6KV	
<b>Power over Ethernet</b>		
PoE Standard	IEEE 802.3at Power over Ethernet Plus / mid-span PSE	
PoE Power Output	48V DC input: Per PoE port max. 32 watts 56V DC input: Per PoE port max. 36 watts	Per port 54V DC, max. 36 watts
PoE Power Supply Type	Mid-span	
Power Pin Assignment	4/5 (+), 7/8 (-)	
PoE Power Budget (max.)	72 watts@48~56V DC input	60W @12~23V DC input 72W @24~56V DC input
Number of devices that can be powered	2	
<b>Standards Conformance</b>		
Regulatory Compliance	FCC Part 15 Class A, CE	
Stability Testing	IEC 60068-2-32 (free fall) IEC 60068-2-27 (shock) IEC 60068-2-6 (vibration)	
Standards Compliance	IEEE 802.3 Ethernet IEEE 802.3u Fast Ethernet IEEE 802.3ab Gigabit Ethernet IEEE 802.3af Power over Ethernet IEEE 802.3at Power over Ethernet Plus	
<b>Environment</b>		
Temperature	Operating: -40~75 degrees C Storage: -40~85 degrees C	
Humidity	Operating: 5~90% (non-condensing) Storage: 5~90% (non-condensing)	

## Ordering Information

IPOE-260	Industrial 2-port 10/100/1000T 802.3at PoE+ Injector Hub
IPOE-260-12V	Industrial 2-port 10/100/1000T 802.3at PoE+ Injector Hub w/ 12V Booster

## Related Products

IPOE-162	Industrial IEEE 802.3at Gigabit Power over Ethernet Plus Injector (Mid-span)
IPOE-162S	Industrial IEEE 802.3at High Power over Ethernet Splitter (12V & 24V)
IPOE-E202	Industrial 1-Port 802.3at PoE+ to 2-Port 802.3af PoE Extender
ICA-3460V	H.265 4MP PoE Bullet IR IP Camera with Vari-focal Lens
ICA-4460V	H.265 4MP PoE Dome IR IP Camera with Vari-focal Lens

### PLANET Technology Corporation

11F., No.96, Minquan Rd., Xindian Dist., New Taipei City 231,  
Taiwan (R.O.C.)

Tel: 886-2-2219-9518

Email: [sales@planet.com.tw](mailto:sales@planet.com.tw)

Fax: 886-2-2219-9528

[www.planet.com.tw](http://www.planet.com.tw)



PLANET reserves the right to change specifications without prior notice. All brand names and trademarks are property of their respective owners. Copyright © 2019 PLANET Technology Corp. All rights reserved.

### IPOE-260 Series