

TABLE 1 BILL OF MATERIAL

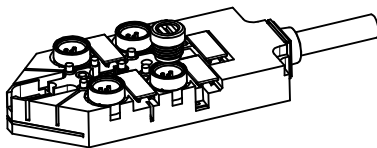
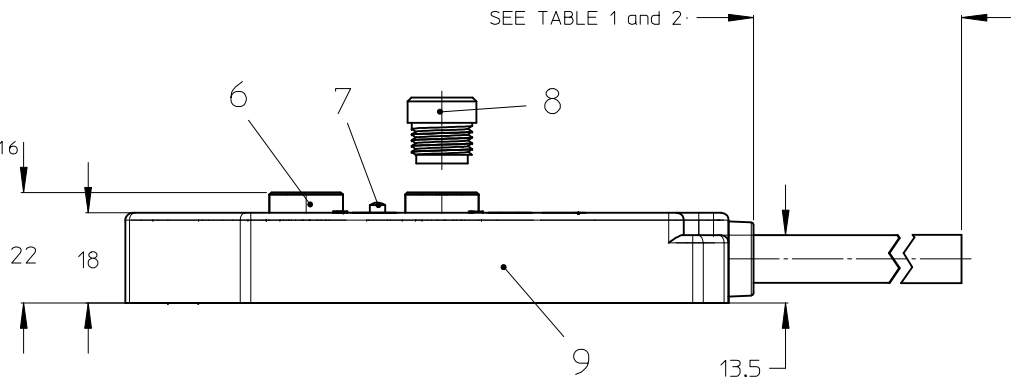
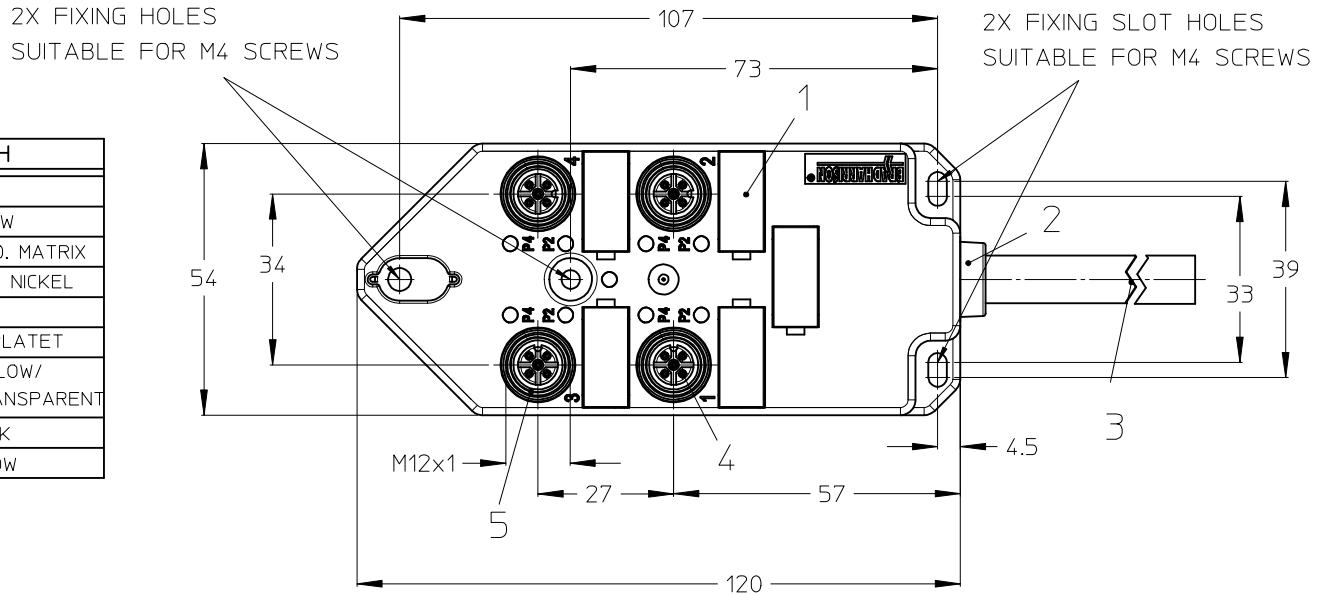
ITEM	QTY	DESCRIPTION	MATERIAL	FINISH
1	5	LABEL	ABS	WHITE
2	1	CABLE PLATE	PBT	YELLOW
3	1	CABLE	SEE ENG. NO. MATRIX	SEE ENG. NO. MATRIX
4	20	CONTACT	BRASS	GOLD OVER NICKEL
5	4	O-RING	FPM	RED
6	4	SHELL	BRASS	NICKEL PLATET
7	9	LED	NON LED = PBT/ WITH LED = PA	NON LED=YELLOW/ WITH LED=TRANSPARENT
8	2	PROTECTING CAP	PP	BLACK
9	1	HOUSING	PBT	YELLOW

GENERAL CHARACTERISTICS

NOMINAL VOLTAGE: 10-30 V DC
 POLUTION DEGREE: 3
 RATED CURRENT: 4 A PER PORT / 12 A MAX: TOTAL
 CONTACT RESISTANCE: ≤ 5 mOHM
 ISULATION RESISTANCE: > 10⁹ OHM
 IP DEGREE OF PROTECTION: IP 67
 IP 68 REFER TO TEST SUMMARY TS-120005-016

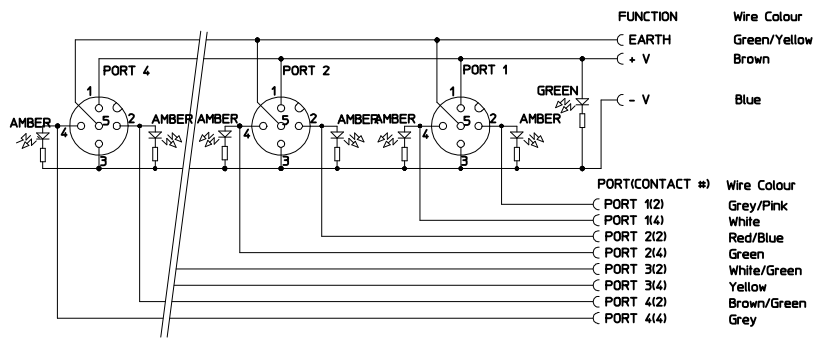
TEMPERATURE RANGE: -25°C to + 85°C
 (BOX ONLY)

FLAMMABYLITY:
 Insert: V0
 HOUSING: V0
 POTTING MATERIAL: V0

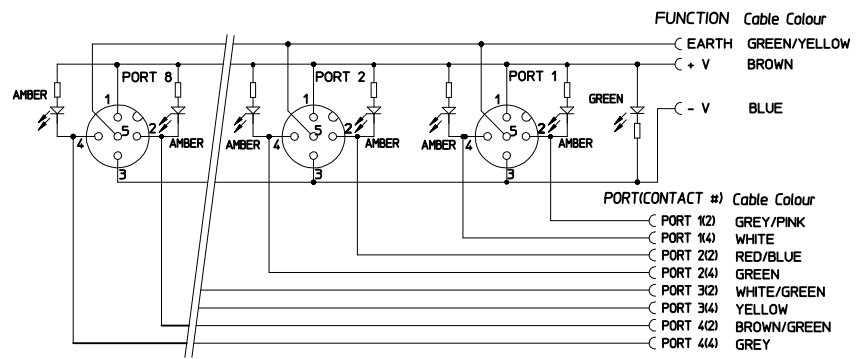


ENTER DESCRIPTION EC NO: IFG2014-0267 DRW:ULETTENMEIER 2013/09/24 CHK:RSILLER 2013/09/25 APPR:CBURGER 2013/10/07	QUALITY SYMBOLS	GENERAL TOLERANCES (UNLESS SPECIFIED)	DIMENSION STYLE	SCALE	DESIGN UNITS	THIRD ANGLE PROJECTION
	▼=0 ▽=0	mm INCH 4 PLACES ± --- ± --- 3 PLACES ± --- ± --- 2 PLACES ± 0.05 ± --- 1 PLACE ± 0.10 ± --- 0 PLACE ± --- ± ---	MM ONLY	1:1	METRIC	
	ANGULAR ± .5 ° DRAFT WHERE APPLICABLE MUST REMAIN WITHIN DIMENSIONS	DRAWN BY: ULETTENMEIER 2013/07/02 CHECKED BY: RSILLER 2013/07/10 APPROVED BY: CBURGER 2013/07/17	TITLE	MPIS M12 PNP NPN NOS 5P 4PT AC FE STR XM		
	SEE TABLE 2	MATERIAL NO.	DOCUMENT NO.	molex SD-120114-093		
SIZE A3	THIS DRAWING CONTAINS INFORMATION THAT IS PROPRIETARY TO MOLEX INCORPORATED AND SHOULD NOT BE USED WITHOUT WRITTEN PERMISSION					SHEET NO. 1 OF 3

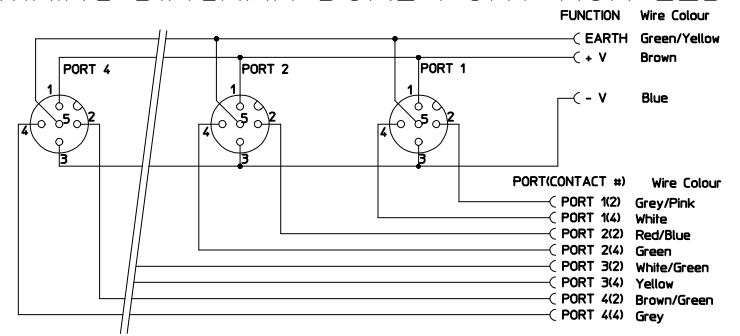
WIRING DIAGRAM DUAL PORT PNP



WIRING DIAGRAM DUAL PORT NPN



WIRING DIAGRAM DUAL PORT NON LED



ENTER DESCRIPTION EC NO: IPG2014-0267 DRW:ULETTEMEIER 2013/09/24 CHY:KDRSILLER 2013/09/25 APPR:CBURGER 2013/10/07	QUALITY SYMBOLS ▽=0 ▽=0	GENERAL TOLERANCES (UNLESS SPECIFIED)		DIMENSION STYLE MM ONLY	SCALE 1:1	DESIGN UNITS METRIC	THIRD ANGLE PROJECTION		
		4 PLACES ± --- ± ---	mm INCH	DRAWN BY DATE ULETTEMEIER 2013/07/02	TITLE MPIS M12 PNP NPN NOS 5P 4PT AC FE STR XM				
		3 PLACES ± --- ± ---		CHECKED BY DATE RSILLER 2013/07/10	<div style="text-align: center; font-size: 2em; font-weight: bold;">molex</div>				
		2 PLACES ± 0.05 ± ---		APPROVED BY DATE CBURGER 2013/07/17					
		1 PLACE ± 0.10 ± ---		MATERIAL NO. SEE TABLE 2					
0 PLACE ± --- ± ---		ANGULAR ± .5 °	THIS DRAWING CONTAINS INFORMATION THAT IS PROPRIETARY TO MOLEX INCORPORATED AND SHOULD NOT BE USED WITHOUT WRITTEN PERMISSION						
DRAFT WHERE APPLICABLE MUST REMAIN WITHIN DIMENSIONS									

TABLE 2

MOLEX P/N	ENG. NO.	LED
1200550604	BTY405P-FBE-10	YES
1200550671	BTY405P-FBI-10	YES
1200550696	BTY405P-FBI-15	YES
1200550737	BTY405P-FBE-20	YES
1200550911	BTY405P-FBP-30	YES
1201140037	BTY405N-FBP-05	YES
1201140038	BTY405N-FBP-10	YES
1201140039	BTY405P-FBP-05	YES
1201140040	BTY405P-FBP-10	YES
1201140041	BTY405P-FBP-15	YES
1201140042	BTY4050-FBP-05	NO
1201140043	BTY4050-FBP-10	NO
1201140044	BTY4050-FBP-15	NO
1201140186	BTY405N-FBP-25	YES

MOLEX P/N	ENG. NO.	LED
1201140187	BTY405P-FBE-05	YES
1201140188	BTY405P-FBP-20	YES
1201140189	BTY4050-FBE-05	NO
1201145036	BTY405P-FBP-05WE	YES
1201145037	BTY405P-FBP-10WE	YES
1201148028	BTY405P-FBP-15-1	YES

ENG. NO. MATRIX:

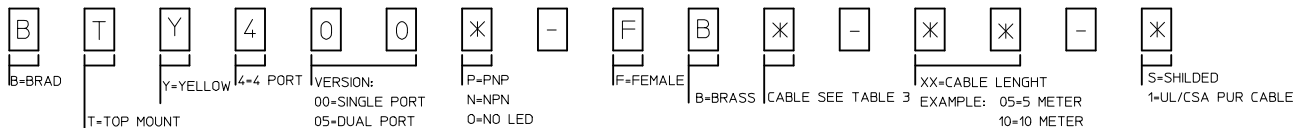


TABLE 3

CABLE	TEM. RANGE STATISCH	TEM. RANGE FLEXIBLE	CABLE DIAMETER (MM) SIGLE (4POLE) 4/6/8 PORT	CABLE DIAMETER (MM) DUAL (5POLE) 4/6/8 PORT	DRA G CHAIN	UL STYLE
P=PUR/PVC/Black	-30°C TO +90°C	-5°C TO +90°C	8,4 ±0,2 / 9,5±0,2 / 9,5 ±0,2	9,5 ±0,2 / 9,8 ±0,2 / 11,4 ±0,2	1,5 MIO. CYCLES	-
P=PUR/PVC/Black/UL/CSA	-25°C TO +90°C	-	7,5 ± 0,2	8,6 ± 0,2	-	-
N=PVC/GREY	-	-10°C TO +80°C	8,4 ± 0,2	9,5 ± 0,2	10 MIO. CYCLES	2464
I=CEI/GREY	-5°C TO +70°C	-	8,4 ± 0,2	9,5 ± 0,2	-	-
E=PVC/YELLOW	-5°C TO +70°C	-	8,4 ± 0,2	9,5 ± 0,2	-	-

ENTER DESCRIPTION EC NO: IPG2014-0267 DRAWN: JULETTENMEIER 2013/09/24 CHKD: RSILLER 2013/09/25 APPR: CBURGER 2013/10/07	QUALITY SYMBOLS ▽=0 ▽=0	GENERAL TOLERANCES (UNLESS SPECIFIED) mm INCH 4 PLACES ± --- ± --- 3 PLACES ± --- ± --- 2 PLACES ± 0,05 ± --- 1 PLACE ± 0,10 ± --- 0 PLACE ± --- ± ---	DIMENSION STYLE MM ONLY	SCALE 1:1	DESIGN UNITS METRIC	THIRD ANGLE PROJECTION
			DRAWN BY DATE JULETTENMEIER 2013/07/02	TITLE MPIS M12 PNP NPN NOS 5P 4PT AC FE STR XM		
			CHECKED BY DATE RSILLER 2013/07/10	APPROVED BY DATE CBURGER 2013/07/17		
MATERIAL NO. SEE TABLE 2	DOCUMENT NO. SD-120114-093	SHEET NO. 3 OF 3				