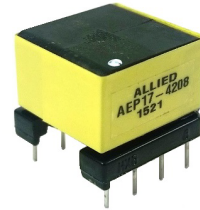




- EP17 Through Hole Transformer Design
- Small Foot Print
- Made with UL Approved Materials
- Operating Temp: -40°C ~ 125°C



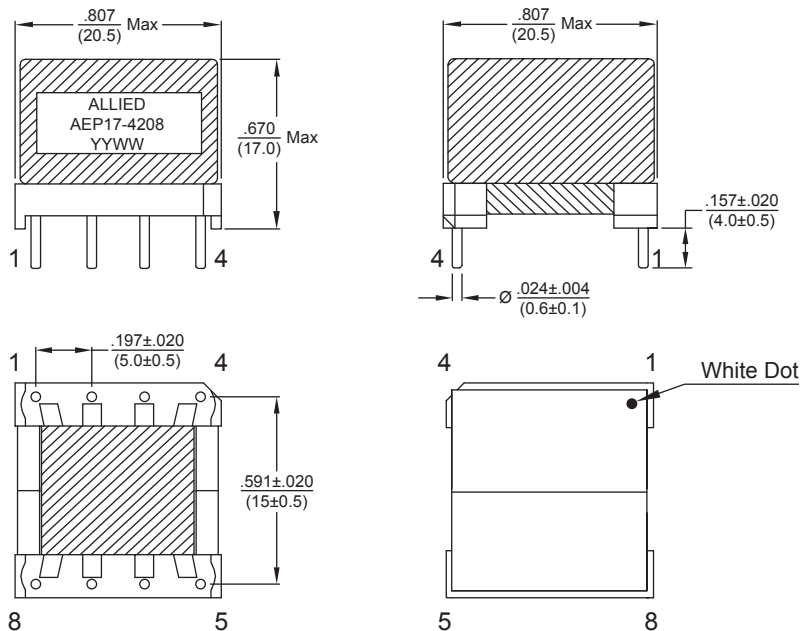
Primary Electrical Specifications @ 25°C				
S - F	INDUCTANCE 100KHz, 1Vrms	LEAKAGE INDUCTANCE 100KHz, 1Vrms	DCR (Max)	TURN RATIO
2 - 1	56.32µH ±10%	—	75mΩ	16Ts
3 - 4	—	—	225mΩ	18Ts

Secondary Electrical Specifications @ 25°C				
S - F	INDUCTANCE 100KHz, 1Vrms	LEAKAGE INDUCTANCE 100KHz, 1Vrms	DCR (Max)	TURN RATIO
8 - 7	291µH ±10%	—	860mΩ	36Ts
6 - 5	—	—	60mΩ	7Ts

Hi-Pot / Insulation Resistance					
LOCAT. / DESC.	PRI - PRI	N1 - N2	N1,N2-N3,N4,N5	PRI - CORE	SEC - CORE
HI-POT (50Hz/60/Hz)	—	825Vac 5mA, 2Sec	1650Vac 5mA, 1Sec	—	—
INSULATION RESISTANCE	—	500Vdc 100MΩ Min	500Vdc 100MΩ Min	—	—

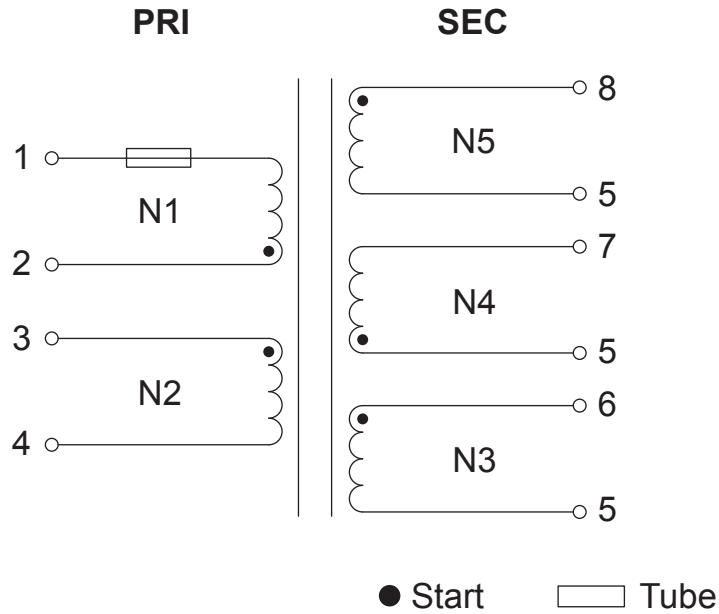
All specifications subject to change without notice.

## MECHANICAL





**SCHEMATIC**



**WINDING CONSTRUCTION**

