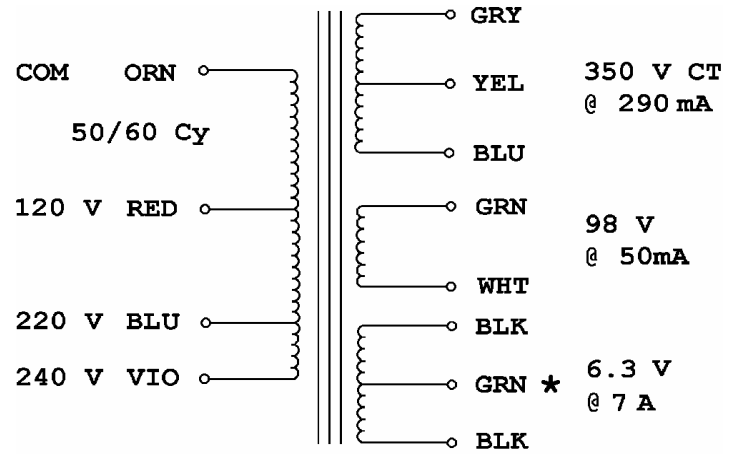
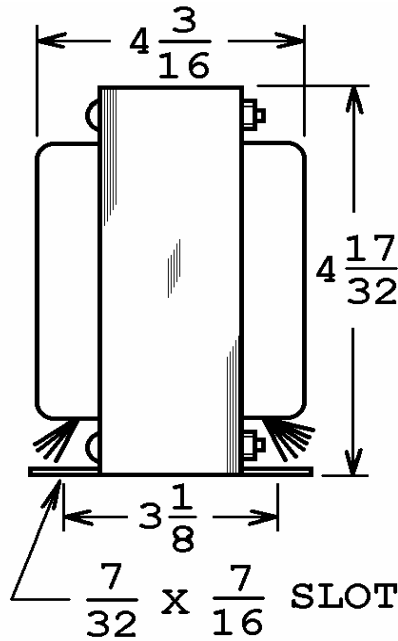
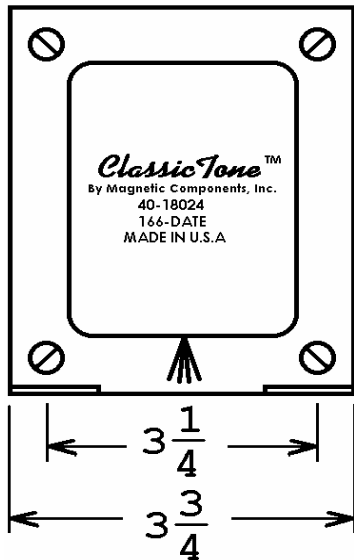


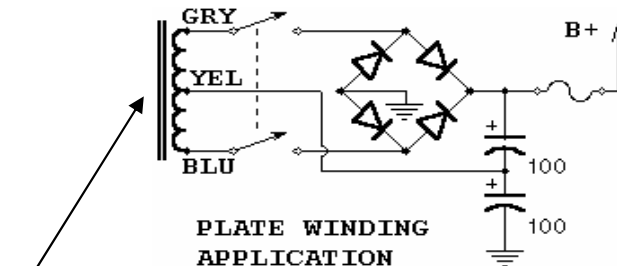
40-18024

This drawing is the property of Magnetic Components, Inc. and shall not be reproduced, in whole or in part, without the written permission of Magnetic Components, Inc.

REVISIONS			
LTR	DESCRIPTION	DATE	APPROVED
A	DEL TRU-TONE MARKING	05/04/09	M. Sacketti
B	ADD GRN CT NOTE, ClassicTone, PROPRIETARY NOTE	01/08/10	M. Sacketti
C	ADD PLATE WINDING APPLICATION	01/18/10	M. Sacketti
D	ADD YEL LEAD WIRE NOTE	04/02/12	M. Sacketti



* GRN LEAD (C.T.) IS ON PRIMARY SIDE OF UNIT



NOTE: IF ONLY ONE FILTER CAP IS USED, DO NOT USE THE YEL WIRE. INSULATE IT AND DO NOT CONNECT IT TO ANYTHING.

UNLESS OTHERWISE SPECIFIED		SIGNATURES		DATE		MAGNETIC COMPONENTS, INC.		DIV :		
ALL DIMENSIONS IN INCHES DO NOT SCALE DRAWING		DRAWN : <i>M. Sacketti</i>		02 APR 09		TITLE		LOC : SCHILLER PK		
FRACTIONS +/-		CHECK :				100W MARSHALL POWER				
.X = +/-		APPR : <i>M. Sacketti</i>		02 APR 09		CAGE	50508	SIZE	PART No.	REV
.XX = +/-						SCALE	NONE	A	40-18024	D
.XXX = +/-										
ANGLES = +/-										