

D3000M SERIES USERS MANUAL

REVISED: 9/15/08

**DGH CORPORATION
P. O. BOX 5638
MANCHESTER, NH 03108**

TELEPHONE: 603-622-0452

FAX: 603-622-0487

URL: www.dghcorp.com

The information in this publication has been carefully checked and is believed to be accurate; however, no responsibility is assumed for possible inaccuracies or omissions. Applications information in this manual is intended as suggestions for possible use of the products and not as explicit performance in a specific application. Specifications are subject to change without notice.

D3000M modules are not intrinsically safe devices and should not be used in an explosive environment unless enclosed in approved explosion-proof housings.

TABLE OF CONTENTS

Warranty	3
CHAPTER 1	Getting Started
	Quick Hook-Up 1-2
	Module Configuration 1-5
	Modbus Protocol 1-7
	Modbus Exceptions (Errors) 1-12
	Modbus Register Map 1-14
	Modbus Enable/Disable 1-15
CHAPTER 2	Functional Description
	Block Diagram 2-3
CHAPTER 3	Communications
	Data Format 3-2
	RS-232C 3-2
	Multi-party Connection 3-3
	Changing Baud Rate 3-5
	RS-485 3-6
	RS-485 Multidrop System 3-7
CHAPTER 4	Command Set
	Table of Commands 4-6
	User Commands 4-7
	ASCII Error Messages 4-17
CHAPTER 5	Setup Information and Command
	Command Syntax 5-2
	Setup Hints 5-9
CHAPTER 6	Digital I/O Function
	Manual Modes/Digital Inputs 6-1
	Controller Input 6-3
	Limit Switches 6-4
CHAPTER 7	Power Supply
CHAPTER 8	Troubleshooting
CHAPTER 9	Calibration
Appendix A	(ASCII TABLE)
Appendix B	D3000M Data Sheet

WARRANTY

DGH warrants each D3000M series module to be free from defects in materials and workmanship under normal conditions of use and service and will replace any component found to be defective, on its return to DGH, transportation charges prepaid within one year of its original purchase. DGH assumes no liability, expressed or implied, beyond its obligation to replace any component involved. Such warranty is in lieu of all other warranties expressed or implied.

WARNING

The circuits and software contained in D3000M series modules are proprietary. Purchase of these products does not transfer any rights or grant any license to the circuits or software used in these products. Disassembling or decompiling of the software program is explicitly prohibited. Reproduction of the software program by any means is illegal.

As explained in the setup section, all setups are performed entirely from the outside of the D3000M module. There is no need to open the module because there are no user-serviceable parts inside. Removing the cover or tampering with, modifying, or repairing by unauthorized personnel will automatically void the warranty. DGH is not responsible for any consequential damages.

RETURNS

When returning products for any reason, contact the factory and request a Return Authorization Number and shipping instructions. Write the Return Authorization Number on the outside of the shipping box. DGH strongly recommends that you insure the product for value prior to shipping. Items should not be returned collect as they will not be accepted.

Shipping Address:

DGH Corporation
146 Londonderry Turnpike
Hooksett, NH 03106

Chapter 1

Getting Started

This document contains step-by-step instructions to quickly connect and communicate with your D3000M modules. The modules require a one-time configuration to properly operate within a data acquisition system. Parameters such as the device address, communications speed (baud rate) and communications parity type must be determined before the configuration can begin. Each module is shipped from the factory with the same default communications values: ASCII character address = 1 (0x31), Baud rate = 300 and Parity type = None.

The first step is to connect the module to a host computer. Use Figure 1.0 to connect an RS-232 module to a host computer or Figure 2.0 to connect an RS-485 module to a host computer. The communications connections are the same for all models of the D3000M series.

Configuration of each module can be performed using either the DGH Utility Software (shipped on CD-ROM with each order) or use Windows Hyper-terminal to manually configure a module. The DGH Utility Software CD-ROM can be downloaded from our website www.dghcorp.com. See the Installation Instructions below to install the DGH Utility software on your computer.

Use the same connections and cable to pre-configure each module before installing it into the final application system. The 10-pin screw terminal plug on each module is removable. Therefore, make one cable and plug each individual module onto the computer to perform the setup and configuration.

Helpful Hints:

1. Typical Modbus slave addressing begins with address '0x01'. Each following module address increments sequentially from there. If you are installing modules into an existing Modbus application then you must determine a free address value before setting up the module. This will prevent communications errors due to address overlaps.
2. Before configuring the module, users must also determine the host serial port baud rate, number of stop bits, and the parity type. The modules must be programmed to the same communications values as the host serial port. Otherwise, the host will not communicate with the modules.

Quick Start Steps:

1. Connect the module to host computer via appropriate drawing (Figure 1.0 or Figure 2.0).
2. Install the Utility Software from CD-ROM provided, using instructions below.
3. Start the Utility Software 2000 from Window, Start, Programs menu selection.
4. Setup the module using 'Software/Module Setup Instructions' below.

CD-ROM Software Installation Instructions:

1. Insert the DGH Utility Software CD-ROM into the computer CD-ROM drive.
2. Click on the "My Computer" icon on your Windows Desktop, a window will open that lists all the computer drives.
3. Click on the drive icon that says "Dgh". A new window will open.
4. Click on the file "setup.exe" and run this program.
5. Follow the installation prompts and complete the entire process. You may close the "My Computer" and "Dgh" windows als, and Utility Software. The software is now installed and ready to run.

Figure 1.1, RS-232 Module Connection to Host PC:

The following connection diagrams illustrate connections between a D3000M module and a host computer serial port. The diagrams indicate connection to either a DB-9 or DB-25 pin serial port connector. Determine your connector type and use the appropriate connection drawing below.

Please note that these diagrams will work for any DGH RS-232 module regardless of model number. The connections are always the same during the configuration and setup process.

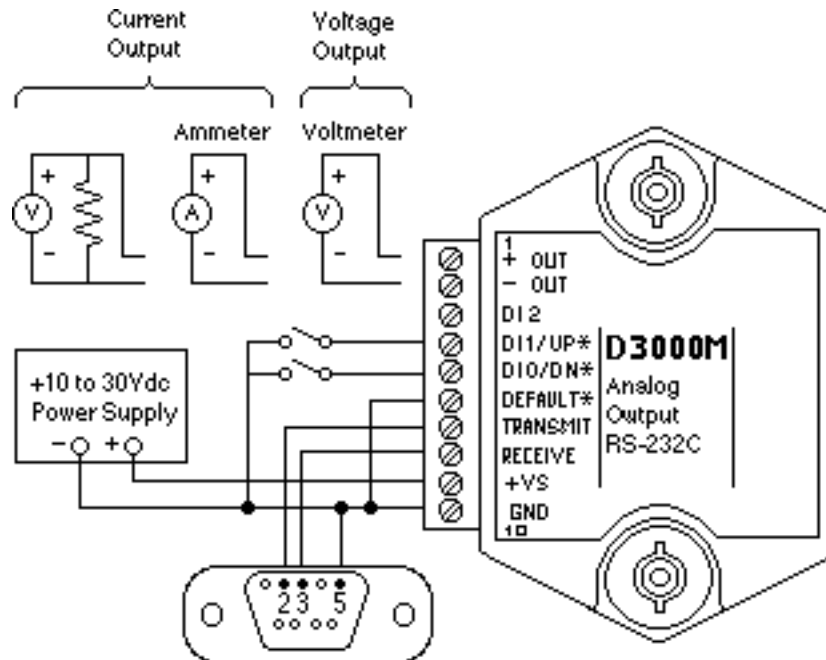


Figure 1.1a Connection to DB-9 serial port.

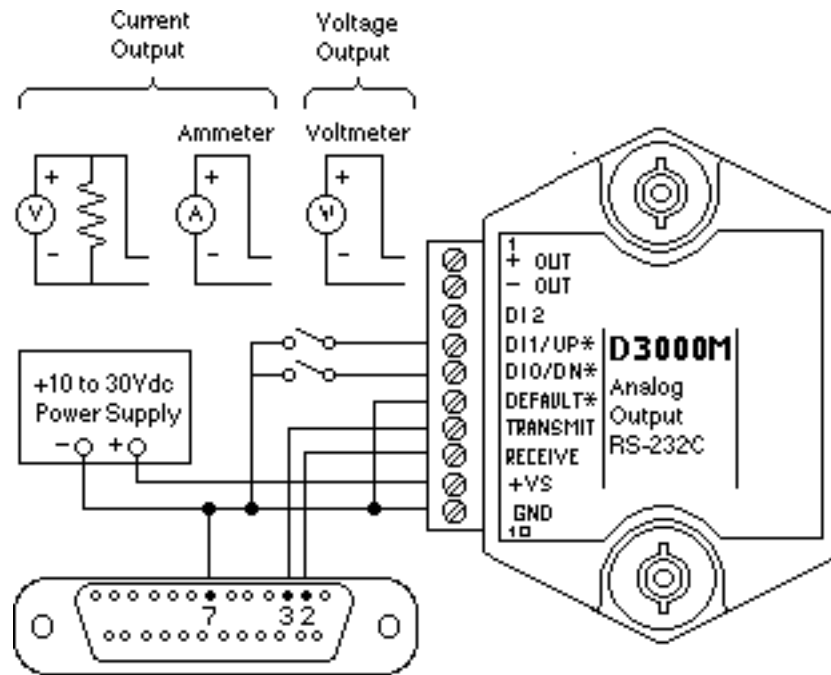


Figure 1.1b Connection to DB-25 host computer serial port.

Notes:

1. The module DEFAULT* pin is connected to GND in each of these illustrations. Whenever, DEFAULT* is grounded, the module will only communicate at 300 baud. The parity setting should be No parity, eight data bits and one stop bit. Some computers may require Mark parity and seven data bits.

The following connection diagrams illustrate how to connect a RS-485 module to a host computer. Figure 1.2 illustration shows how to connect an RS-485 module to a host PC serial port. This illustration should be used only for configuration of modules. It is not recommended, or suitable for installed applications.

Figure 1.3 illustrates connections to a RS-485 host serial port. The RS-485 data line polarity is indicated and should be noted when making the connect

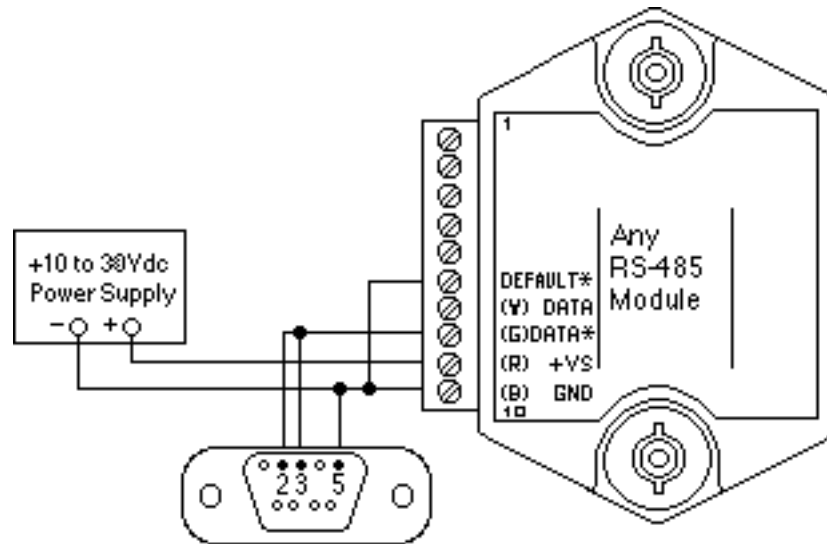


Figure 1.2 RS-485 Module to RS-232 Serial Port.

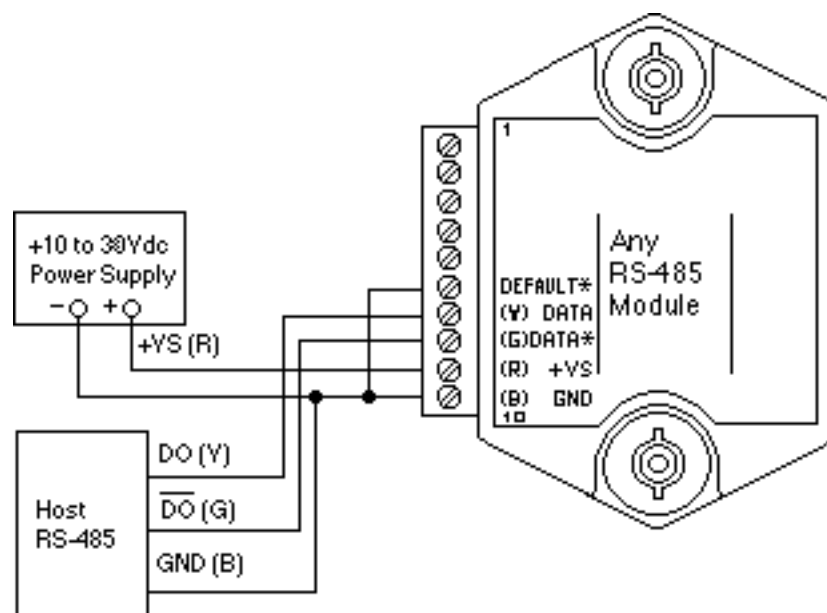


Figure 1.3 RS-485 Module to Host RS-485 Serial Port:

The polarity of the DGH RS-485 lines is indicated above. It should be noted that '(Y) Data' is the Positive (+) line. The '(G) Data*' line is the Minus (-) line.

Note: The module DEFAULT* pin is connected to GND in each of these illustrations. Whenever, DEFAULT* is grounded, the module will only communicate at 300 baud. The parity setting should be No parity, eight data bits and one stop bit. Some computers may require Mark parity and seven data bits.

Setup Overview:

The D3000M contains two different protocol sets: the Modbus RTU protocol and the D3000 ASCII protocol. The D3000M ships from the factory in the D3000 ASCII protocol mode. Users configure the module in the ASCII protocol before installation in a Modbus application.

The D3000 ASCII protocol makes configuring the module easier with programs such as Hyper-Terminal or the Utility Software. Further, configuration should always be performed with the DEFAULT* line connected to ground as shown in Figures 1 and 2.

While the DEFAULT* line is connected to ground the module will only communicate in the D3000 ASCII protocol mode at 300 baud, mark parity, seven data bits, and one stop bit. This mode provides a known set of communications parameters and the module will answer to any ASCII character address. Thus, allowing easy access to setup information. Setup values such as the Modbus Slave Address, application Baud Rate and Parity Type must be determined written into the module. In addition writing the new setup values, the Modbus RTU protocol must be 'enabled' in the module before installing the module into the application.

Utility Software Setup Instructions:

1. To run the software, click on the Windows "Start" button in lower left corner of the screen.
2. Select "Programs" and select "Dgh Data Acquisition"
3. Select "Utility Software" and select "Utility Software 2000" to run this program.
4. From the software main menu select "Edit" and "Serial Ports"
5. Select the correct COM Port, COM1:..COM32: and press "Open" button. All other port parameters are configured for a module in DEFAULT mode.
6. Plug the cable into the host computer serial port.
7. Connect the module to host computer using cable illustrations in this document.
8. Turn the power on and at the software main menu select "Setup" and "Modules".
9. Ensure that the proper COM Port is displayed.
10. The program default address of '1' is usable when the Default* pin is connected to Ground.

11. Select the four-digit model number from the “Model” drop-down list box.
12. Press the ‘Read Setup’ button.
13. A progress bar will appear while the program is reading the module parameters. If no communications errors are displayed then the module is communicating properly with the host computer.
14. Make the required setup adjustments to the ‘on-screen’ values and ‘APPLY’ the changes.

After the new settings have been ‘APPLY’d then you can disconnect the module from the 10-pin connector, insert the next module, and repeat this same process for the remaining modules. Once all the modules have been configured then they can be installed into the system application.

Manual Setup Instructions

The D3000M can be configured manually using a terminal emulation program such as Windows Hyper-Terminal. This configuration method will require an understanding of the binary and hexadecimal numbering systems to interpret the setup configuration tables in the D3000M Users Manual. The setup configuration tables illustrate the user-selectable bits that control features such as the module Baud Rate, Parity Type, and number of stop bits. Once the new bit values are determined then use the SetUp (SU) command to send the new value.

The Modbus Protocol mode can be manually enabled using the MBR command. All of this information can be found in the D3000M Users Manual. The MBR and MBD commands are described further down in this document.

Overview

Once the configuration process is completed then the D3000M modules can be installed into the system application. The D3000M modules will use the Modbus RTU protocol mode to communicate with the host Programmable Logic Controller (PLC) or PC based computer. The Modbus RTU protocol is widely used in data acquisition and control applications that utilize either a PLC or a PC based computer and data acquisition software program.

Data acquisition software programs and OPC servers are commonly used in process control applications today to read and write values to control modules. All commercial data acquisition software programs in the market today include a Modbus RTU protocol driver, providing instant connectivity to your D3000M module. The D3000M analog output module can be used to control devices such as valves, actuators, annunciators and more. Consult the factory if you need further assistance with compatibility questions about a specific program.

The Modbus RTU protocol handles data values in registers and discrete I/O bits as numbers. A complete register map of locations, functions and data values can be found at the end of this document.

The D3000M Modbus RTU protocol mode supports six functions that are part of the Modbus RTU protocol specification. The function numbers and their descriptions have been detailed below. If you need more information about the Modbus RTU protocol then you can find it on the internet at www.modbus.org

D3000M Modbus RTU Protocol

The D3000M series modules support several of the Modbus RTU protocol functions. These functions read and write values to register locations within the D3000M. The values and register locations control features such as the Analog Output value, the Slope control value, and the Watchdog Timer value. Table 1.0 below contains a list of the supported Modbus functions and their descriptions.

Function	Description
01	Read Coil Status
02	Read Input Status
03	Read Holding Registers
04	Read Input Registers
06	Preset Single Register
10	Preset Multiple Registers

Table 1.0. D3000M Modbus Functions.

Modbus RTU Command Structure

The Modbus RTU serial protocol operates using a command and response protocol. The command structure begins an address, commonly referred to as the Modbus Slave Address. The address is followed by the command value or the Modbus function number. The function number indicates what action the device should perform. The required data values for the command function will follow and the message is terminated by a cyclical redundancy check (CRC) value.

The response message contains the same address and function values along with the requested data. Each response is terminated by a CRC checksum of the response bytes.

The Modbus protocol contains provisions for error checking. The Modbus standard contains a standardized set of values that can be returned from a Modbus Slave device when a problem or error is detected. These error values are referred to as “exception codes” and the DGH implementation of the Modbus RTU protocol utilizes these exception codes when applicable. See Table 3.0 for a complete list of supported exception codes.

A typical Modbus RTU command to read the analog output value from a D3000M module whose slave address is 0x01 would be:

Command: 03 03 00 00 00 01 85 E8

Response: 03 03 02 00 7D 01 A5

In the event that an error is detected, an error response would be generated and return one of the standardized error codes. The most significant bit (MSB) of the function number will always be set in any exception response. Therefore, an error response message that was generated from a function '03' command would return the function value of 0x83. The value is followed by the standardized error code (02) and the two-byte CRC checksum. A typical exception response would be:

Command: 03 03 00 0A 00 01 A5 EA
Response: 03 83 02 61 31

Modbus RTU Functions

Function (01) Read Coil Status

Modbus function (01) Read Coil Status will read the status of discrete digital inputs. Modbus relay input coils are considered the digital input bits on the D3000M series modules. This function can be used to read status of the digital input bits. The D3000M digital input bits DI0 to DI2 correspond to Modbus coils 0x00001 to 0x00003.

Exception error messages will be generated when attempting to read the more than three digital inputs. The following example can be used to read the digital input status (3 bits):

Command: 03 01 00 00 00 03 7D E9
Response: 03 01 01 07 11 F2

In the command string:

03	is the slave address
01	is the Read Coil Status command
00 00	is the starting coil number
00 03	is the number of bits to read
7D E9	is the CRC to this message

In the response string:

03	is the slave address
01	is the Read Coil Status command
01	is the number of data bytes returned
07	is the status of DI0, DI1, and DI2 bits, set High, Logic "1"
11 F2	is the CRC for this message

Function (02) Read Input Status

Modbus function (02) Read Input Status will read the status of the D3000M digital inputs. Modbus inputs are the digital inputs on the D3000M series modules. This function can be used to read the status of digital input bits DI0, DI1 and DI2. These bits correspond to Modbus coils 0x10001 to 0x10003.

Exception error messages will be generated when attempting to read the more than three digital inputs. The following example can be used to read the digital input status (3 bits):

Command: 03 02 00 00 00 03 39 E9

Response: 03 02 07 E1 F2

In the command string:

03	is the slave address
02	is the Read Coil Status command
00 00	is the starting coil number
00 03	is the number of bits to read, DI0, DI1, DI2
39 E9	is the CRC to this message

In the response string:

03	is the slave address
02	is the Read Coil Status command
07	is the status of DI0, DI1 and DI2 bits, set High, Logic "1"
E1 F2	is the CRC for this message

Function (03) - Read Holding Registers (Analog Output Value)

Read Holding Register function (03) can be used to read data values from registers within the D3000M module. These data values represent features such as the present analog output value, the watchdog timer value, or the slope value. This function supports reading of up to six registers starting from Modbus slave register 40001 through 40006.

Some data acquisition and monitoring programs and some programmable logic controllers (PLC) may use zero based register addressing. In that case, the registers are addressed starting from zero meaning registers 40001-40006 are addressed as 0-5. Consult your software or PLC manual for the proper addressing mode.

The data for each register is returned as two bytes that represent a 16-bit binary value. The binary values can range from 0000-FFFF (hexadecimal). Consult the register map in Table 4.0 to determine the exact meaning of the response value in each register.

A typical command and response to read the analog output value from a D3000M whose slave address is '01' would be:

Command: 03 03 00 00 00 01 85 E8
Response: 03 03 02 00 7D 01 A5

In the command string:

03 is the slave address
03 is the Read Input Registers command
00 00 is the starting register to be read (Register 40001)
00 01 the number of registers to be read
85 E8 is the CRC for this message

In the response string:

03 is the slave address
03 is the command
02 indicated the number of data bytes in the message
00 7D is the analog data
01 A5 is the CRC for this message

Function (04) - Read Input Registers (Analog Output Value)

Read Input Register function (04) can be used to read data values from registers within the D3000M module. These data values represent features such as the present analog output value, the watchdog timer value, or the slope value. This function supports reading of up to six registers starting from Modbus slave register 30001 through 30006.

Some data acquisition and monitoring programs and some programmable logic controllers (PLC) may use zero based register addressing. In that case, the registers are addressed starting from zero meaning registers 30001-30006 are addressed as 0-5. Consult your software or PLC manual for the proper addressing mode.

The data for each register is returned as two bytes that represent a 16-bit binary value. The binary values can range from 0000-FFFF (hexadecimal). Consult the register map in Table 4.0 to determine the exact meaning of the response value in each register.

A typical command and response to read the analog output value from a D3000M whose slave address is '01' would be:

Command: 03 04 00 00 00 01 30 28
Response: 03 04 02 00 7D 00 D1

In the command string:

03 is the slave address
04 is the Read Input Registers command
00 00 is the starting register to be read (Register 30001)
00 01 the number of registers to be read
30 28 is the CRC for this message

In the response string:

03 is the slave address
 04 is the command
 02 indicated the number of data bytes in the message
 00 7D is the analog data
 00 D1 is the CRC for this message

Function (06) - Preset Single Register

The Preset Single Register function (06) can be used to write values to a single register. The D3000M contains several registers that support this command. The register locations begin at 40001 and there are five registers that accept values from this command. Primary uses for this command are writing a new analog output value to the D3000M module or updating values such as the Watchdog Timer and Slope control values.

This command can also be used to suspend the Modbus RTU protocol mode and return the D3000M back to the DGH ASCII protocol mode. Write a value of 0000 to Modbus register 40003 to temporarily suspend the Modbus RTU protocol mode. The module will then communicate using the D3000M ASCII protocol command set.

The D3000M ASCII protocol command set can be used to verify or alter setup data or for troubleshooting purposes. The module will continue to communicate using the ASCII protocol until either a Remote Reset (RR) command (RR) is received or the power is cycled. At which time, the module will return to the Modbus RTU protocol mode. Refer to the D3000M ASCII Modbus Disable command (MBD) for more information on permanently disabling the Modbus RTU protocol mode.

The following command will write a value of zero to the Analog Output register, causing the D3000M analog output to move down to the minus full scale value.

Command: 03 06 00 00 00 00 88 28
 Response: 03 06 00 00 00 00 88 28

In the command string:

03 is the slave address
 06 is the Preset Single Register command
 00 00 is the starting register to be read (Register 40001)
 00 00 specifies the data value written.
 88 28 is the CRC for this message

In the response string:

03 is the slave address
 06 is the command
 00 00 is the starting register to be read (Register 40001)
 00 00 specifies the data value written.

88 28 is the CRC for this message

Function (10) - Preset Multiple Registers

The Preset Multiple Registers function (10) can be used to write values to multiple registers. The D3000M contains several registers that support this command. The register locations begin at 40001 and there are five registers that accept values from this command. Primary uses for this command are writing more than one register value to the D3000M in one command and response sequence. For example, new Watchdog Timer and Slope control values could be written simultaneously with one command.

The following command will write a single value into register 40005, setting the Watchdog Timer to the maximum value.

Command: 03 10 00 04 00 01 02 FF FF BF 04

Response: 03 10 00 04 00 01 41 EA

In the command string:

03 is the slave address
 10 is the Preset Multiple Registers command
 00 04 is the starting register to be read (Register 40005)
 00 01 specifies the quantity of registers written.
 02 is the data byte count
 FF FF is the data value written into 40005
 BF 04 is the CRC for this message

In the response string:

03 is the slave address
 10 is the command
 00 04 is the starting register to be read (Register 40005)
 00 01 specifies the quantity of registers written.
 41 EA is the CRC for this message

Note: This function has been implemented to comply with the Modbus Standard and many commercial programs in the data acquisition market today. However, it only supports a one-register write at this time.

Modbus Exception Codes

The Modbus protocol contains provisions for error checking. The Modbus standard contains a standardized set of values that can be returned from a Modbus Slave device when a problem or error is detected. These error values are referred to as “exception codes” and the DGH implementation of the Modbus RTU protocol utilizes these exception codes when applicable. See Table 3.0 below for a complete list of supported exception codes.

In the event that an error is detected, an error response would be generated and return one of the standardized error codes. The most

significant bit (MSB) of the function number will always be set in any exception response. Therefore, an error response message that was generated from a function '03' command would return the function value of 0x83. A typical exception response would be:

Command: 03 03 00 0A 00 01 A5 EA
 Response: 03 83 02 61 31

The following error codes may be returned from a DGH D3000M Modbus RTU compatible module.

Table 3.0. DGH Modbus Exception Codes.

<u>Exception</u>	<u>Name</u>	<u>Description</u>
01	Illegal Function	This exception code is generated when the module does not recognize the function code.
02	Illegal Data Address	This exception code is generated when the module does not support the specified data address in the command.
03	Illegal Data Value	This exception code is generated if the command data is out of range for the function.
06	Slave Busy	This exception code is generated during the 3 seconds after the module is reset or powered up.

Table 4.0. D3000M Modbus Register Map

Function	Register	Direction	Value	Description
03	40001	Read	0.FFFF	Analog Output Value
03	40002	Read	0..7	Digital Input Status
03	40003	Read	0	Control Register
03	40004	Read	0.FFF	RAW DAC Output
03	40005	Read	10.FFFF	EEPROM Slope Value
03	40006	Read	45.FFFF	Watchdog Timer Value
04	30001	Read	0.FFFF	Analog Output Value
04	30002	Read	0..7	Digital Input Status
04	30003	Read	0	Control Register
04	30004	Read	0.FFF	RAW DAC Output
04	30005	Read	10.FFFF	EEPROM Slope Value
04	30006	Read	45.FFFF	Watchdog Timer Value
01	00001	Read	0,1	Digital Input 0
01	00002	Read	0,1	Digital Input 1
01	00003	Read	0,1	Digital Input 2
02	00001	Read	0,1	Digital Input 0
02	00002	Read	0,1	Digital Input 1
02	00003	Read	0,1	Digital Input 2
06	40001	Write	0.FFFF	Analog Output Value
06	40003	Write	0	Temporarily suspend Modbus RTU and return back to DGH ASCII protocol.
06	40003	Write	2	Reset Module
06	40004	Write	0.FFF	RAW DAC Output
06	40005	Write	10.FFFF	EEPROM Slope
06	40006	Write	45.FFFF	Watchdog Timer, write FFFF to disable.
10	40001	Write	0.FFFF	Analog Output Value
	40002	Read	0..7	Digital Input Status
10	40003	Write	0	Control Register
10	40004	Write	0.FFF	RAW DAC Output
10	40005	Write	10.FFFF	EEPROM Slope Value
10	40006	Write	45.FFFF	Watchdog Timer Value

Modbus RTU Enable (MBR)

To place any D3000M module in Modbus protocol mode use the Modbus RTU (MBR) command. The MBR command must be used to specify the Modbus device address and enable the Modbus protocol mode. The device address consists of a two character hexadecimal value and is stored in EEPROM. The two-byte address specified is translated to a one byte, 8 bit address required by the Modbus protocol. The example below can be used to specify a Modbus slave address of "01".

Command: \$1MBR01
Response: *

Command: #1MBR01
Response: *1MBR019D

Note: This address value is different and separate from the address value specified in the Setup (SU) message of the module. After the Modbus address is specified, a reset is necessary to activate the Modbus protocol mode. The reset may be accomplished in one of three ways:

- 1) Removing power for about 10 seconds to perform a power-up reset.
- 2) Momentarily grounding the Default* pin.
- 3) Issue a Write Enable (WE) command followed by a Remote Reset (RR) command.

After a reset is performed, the module is in Modbus protocol mode.

Modbus Disable (MBD)

The Modbus Disable (MBD) command is used to disable the Modbus RTU protocol. Any D3000M series module in Modbus mode can be returned to D3000 ASCII protocol mode by connecting a jumper wire between module pins GND and Default* pin. This places the module in Default Mode, where the module will only communicate at 300 baud, no parity, D3000 ASCII protocol, and answer to any address. While in Default mode, transmit an MBD command to internally disable the Modbus protocol.

Following the MBD command a device reset must occur. The reset is necessary to activate the D3000M ASCII protocol. A reset can occur by removing the Default* jumper, performing a power-up reset or by transmitting a Write Enable (WE) and Remote Reset (RR) command sequence. After a reset is performed, the module is in D3000M ASCII protocol mode.

Command: \$1MBD
Response: *

Command: #1MBD

Response: *1MBD2E

Testing and Troubleshooting:

1. The RS-485 type D3000M modules “**cannot**” be tested in the Modbus RTU protocol mode using the DB-9 connection in Figure 2.0. The RS-485 Quick Hook-up Diagram to an RS-232 serial port causes the command to be read back into the computer before the response from the module. This causes parsing problems with Modbus drivers. The diagram in Figure 2.0 is only for setup and configuration of the module.
2. Communications with USB converters can sometimes lead to Modbus Timeout Errors. Meaning, that it appears as though the D3000M does not respond in Modbus RTU protocol mode. This is sometimes caused by converters that place gaps in between the data characters in the transmitted command. If a converter places gaps in between the characters, and the gap is more than 3.5 character times at the specified baud rate then the module will consider the message ended. Therefore, it will not receive a complete message and will never respond. This problem usually appears at the higher baud rates where the character times are much quicker.

Chapter 2

Functional Description

The D3000M Computer to Analog Output interfaces provide accurate analog process control signals in response to simple digital commands from a host computer. The D3000M units are completely self-contained and are designed to be operated remotely from the host. Digital commands are transmitted to the D3000M units using standard RS-232 or RS-485 communications links. Commands and responses are in the form of simple English ASCII character strings for ease of use. The ASCII protocol allows the units to be interfaced with dumb terminals and modems as well as intelligent controllers and computers.

Figure 2.1 shows a functional block diagram of the D3000M. The key block is the 12-bit Digital to Analog Converter (DAC). The DAC converts digital data derived from host commands into the desired analog output. All of the other components provide a supporting role for proper operation of the DAC.

An 8-bit CMOS microprocessor is used to provide an intelligent interface between the host and the DAC. The microprocessor receives commands and data from the host computer through a serial communications port. Specialized communications components are used to interface the microprocessor to either RS-232 or RS-485 communications standards. Commands received by the microprocessor are thoroughly checked for syntax and data errors. Valid commands are then processed to complete the desired function. A wide variety of commands are available to control the DAC, read status information, and to configure the module to fit the user's requirements. Responses to the host commands are then produced by the microprocessor and transmitted back to the host over the RS-232/RS-485 serial link.

An Electrically Erasable Programmable Read-Only Memory (EEPROM) is used to retain important data even if the module is powered down. The EEPROM contains setup information such as the address, baud rate, and parity as well as calibration data.

In response to host commands, the microprocessor produces the appropriate digital data necessary to control the DAC. Digital data is transmitted to the DAC through opto-isolators which provide electrical isolation. The DAC produces a precise analog current that is directly proportional to the magnitude of the digital data. The DAC output current is then processed and amplified by signal conditioning circuits to produce the desired output voltage or current. Output protection circuits are included to protect the module from potentially damaging output faults.

The last major block in the diagram is the power supply. The power supply converts the raw 10 to 30 volts supplied by the user into regulated voltages used in the module. It produces +5V necessary to operate the microprocessor and EEPROM. On RS-232 units, the power supply produces $\pm 10V$ necessary for the RS-232 communications standard. It also produces ± 15 volts to power the DAC and associated output circuitry.

The power supplied to the DAC and output circuitry is transformer isolated from the input power and communications connections. The transformer along with the opto-isolators provide an isolation barrier between the output section and the rest of the circuitry. The isolation barrier is extremely helpful in breaking ground loops and isolating troublesome common-mode voltages that are often found in large systems. The isolation barrier also provides damage protection for the module and the host in cases where the output lines may accidentally contact AC power lines.

The combination of an accurate high-resolution DAC and a dedicated microprocessor produces a very powerful system for the generation of process control signals. The power of the microprocessor is used to provide software addressing for multidrop capability, data formatting in engineering units, limit checking, digital calibration, and a host of other features not possible with unintelligent analog output systems.

During normal operation, the microprocessor constantly updates the DAC data at a rate of 1000 times per second, even if the output is stable. The D3000M fully utilizes this characteristic to provide controlled output slew rates. Linear output ramp signals are created by incrementally stepping the DAC every millisecond with values precisely calculated by the microprocessor. The small output steps created at millisecond intervals are used to approximate ramp outputs. Slope rates are programmable and may be changed at any time with simple commands. Linear ramps may be initialized with a single command from the host computer. No further intervention or monitoring is required from the host; the D3000M does the rest.

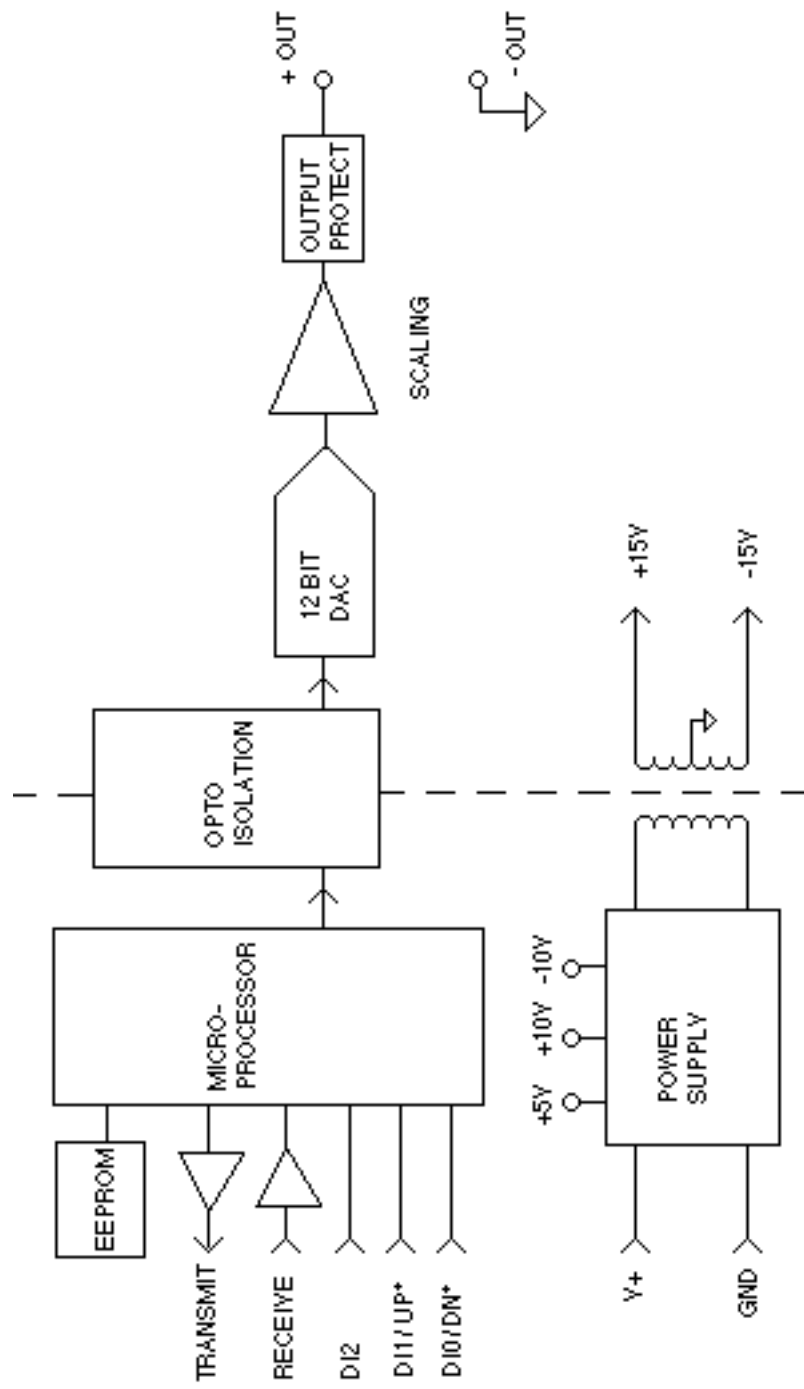


Figure 2.1 Block Diagram.

Chapter 3 Communications

Introduction

The D3000M modules have been carefully designed to be easy to interface to all popular computers and terminals. All communications to and from the modules are performed in Modbus RTU format.

This system allows multiple modules to be connected to a communications port with a single 4-wire cable. Up to 32 RS-485 modules may be strung together on one cable; 247 with repeaters. A practical limit for RS-232C units is about ten, although a string of 124 units is possible. The modules communicate with the host on a polling system; that is, each module responds to its own unique address and must be interrogated by the host. A module can never initiate a communications sequence. A simple command/response protocol must be strictly observed to avoid communications collisions and data errors.

Communications to the D3000M modules are performed with two or three-character ASCII command codes such as RD to Read Data from the analog output. A complete description of all commands is given in the Chapter 4. A typical command/response sequence would look like this:

Command: \$1RD
Response: *+00123.00

A command/response sequence is not complete until a valid response is received. The host may not initiate a new command until the response from a previous command is complete. Failure to observe this rule will result in communications collisions. A valid response can be in one of three forms:

- 1) a normal response indicated by a ' * ' prompt
- 2) an error message indicated by a ' ? ' prompt
- 3) a communications time-out error

When a module receives a valid command, it must interpret the command, perform the desired function, and then communicate the response back to the host. Each command has an associated delay time in which the module is busy calculating the response. If the host does not receive a response in an appropriate amount of time specified in Table 3.1, a communications time-out error has occurred. After the communications time-out it is assumed that no response data is forthcoming. This error usually results when an improper command prompt or address is transmitted. The table below lists the timeout specification for each command:

Mnemonic	Timeout
DI, HX, WE	3mS
ID	130mS
All other commands	35 mS

Table 3.1 Response Timeout Specifications.

The timeout specification is the turn-around time from the receipt of a command to when the module starts to transmit a response.

Data Format

All modules communicate in standard NRZ asynchronous data format. This format provides one start bit, seven data bits, one parity bit and one stop bit for each character.

RS-232C

RS-232C is the most widely used communications standard for information transfer between computing equipment. RS-232C versions of the D3000M will interface to virtually all popular computers without any additional hardware. In RS-232C the D3000M requires one serial port per module.

Single Module Connection

Figure 1.1 shows the connections necessary to attach one module to a host. Use the Default Mode to enter the desired address, baud rate, and other setups (see Setups).

RS-485

RS-485 is a recently developed communications standard to satisfy the need for multidropped systems that can communicate at high data rates over long distances. RS-485 is similar to RS-422 in that it uses a balanced differential pair of wires switching from 0 to 5V to communicate data. RS-485 receivers can handle common mode voltages from -7V to +12V without loss of data, making them ideal for transmission over great distances. RS-485 differs from RS-422 by using one balanced pair of wires for both transmitting and receiving. Since an RS-485 system cannot transmit and receive at the same time it is inherently a half-duplex system. RS-485 offers many advantages over RS-232C:

- 1) balanced line gives excellent noise immunity
- 2) can communicate with modules at 38400 baud
- 3) communications distances up to 4,000 feet.
- 4) true multidrop; modules are connected in parallel
- 5) can disconnect modules without losing communications
- 6) up to 32 modules on one line; 124 with repeaters
- 7) no communications delay due to multiple modules
- 8) simplified wiring using standard telephone cable

RS-485 does have disadvantages. Very few computers or terminals have built-in support for this new standard. Interface boards are available for the IBM PC and compatibles and other RS-485 equipment will become available as the standard gains popularity. An RS-485 system usually requires an interface.

We offer the A1000 and A2000 interface converters that will convert RS-232 signals to RS-485 or repeat RS-485 signals. The A1000 converters also include a +24Vdc, one amp power supply for powering D1000 series modules. The A1000 or A2000 connected as an RS-485 repeater can be used to extend an existing RS-485 network or connect up to 124 modules on one serial communications port.

RS-485 Multidrop System

Figure 3.1 illustrates the wiring required for multiple-module RS-485 system. Notice that every module has a direct connection to the host system. Any number of modules may be unplugged without affecting the remaining modules. Each module must be setup with a unique address and the addresses can be in any order. All RS-485 modules must be setup for no echo to avoid bus conflicts (see Setup). Also note that the connector pins on

each module are labelled with notations (B), (R), (G), and (Y). This designates the colors used on standard 4-wire telephone cable:

Label	Color
(B) GND	Black
(R) V+	Red
(G) DATA*	Green
(Y) DATA	Yellow

This color convention is used to simplify installation. If standard 4-wire telephone cable is used, it is only necessary to match the labeled pins with the wire color to guarantee correct installation.

DATA* on the label is the complement of DATA (negative true).

To minimize unwanted reflections on the transmission line, the bus should be arranged as a line going from one module to the next. 'Tree' or random structures of the transmission line should be avoided. When using long transmission lines and/or high baud rates, the data lines should be terminated at each end with 200 ohm resistors. Standard values of 180 ohms or 220 ohms are acceptable.

During normal operation, there are periods of time where all RS-485 drivers are off and the communications lines are in an 'idle' high impedance condition. During this condition, the lines are susceptible to noise pickup which may be interpreted as random characters on the communications line. To prevent noise pickup, all RS-485 systems should incorporate 1K ohm bias resistors as shown in Figure 3.1. The resistors will maintain the data lines in a 'mark' condition when all drivers are off.

The A1000 series converter boxes have the 1K Ω resistors built-in.

Special care must be taken with very long busses (greater than 1000 feet) to ensure error-free operation. Long busses must be terminated as described above. The use of twisted cable for the DATA and DATA* lines will greatly enhance signal fidelity. Use parity and checksums along with the '#' form of all commands to detect transmission errors. In situations where many modules are used on a long line, voltage drops in the power leads becomes an important consideration. The GND wire is used both as a power connection and the common reference for the transmission line receivers in the modules. Voltage drops in the GND leads appear as a common-mode voltage to the receivers. The receivers are rated for a maximum of -7V. of common-mode voltage. For reliable operation, the common mode voltage should be kept below -5V.

To avoid problems with voltage drops, modules may be powered locally rather than transmitting the power from the host. Inexpensive 'calculator' type power supplies are useful in remote locations. When local supplies are used, be sure to provide a ground reference with a third wire to the host or through a good earth ground. With local supplies and an earth ground, only two wires for the data connections are necessary.

Communications Delay

All modules with RS-485 outputs are setup at the factory to provide two units of communications delay after a command has been received (see Chapter 5). This delay is necessary when using host computers that transmit a carriage return as a carriage return-linefeed string. Without the delay, the linefeed character may collide with the first transmitted character from the module, resulting in garbled data. If the host computer transmits a carriage return as a single character, the delay may be set to zero to improve communications response time.

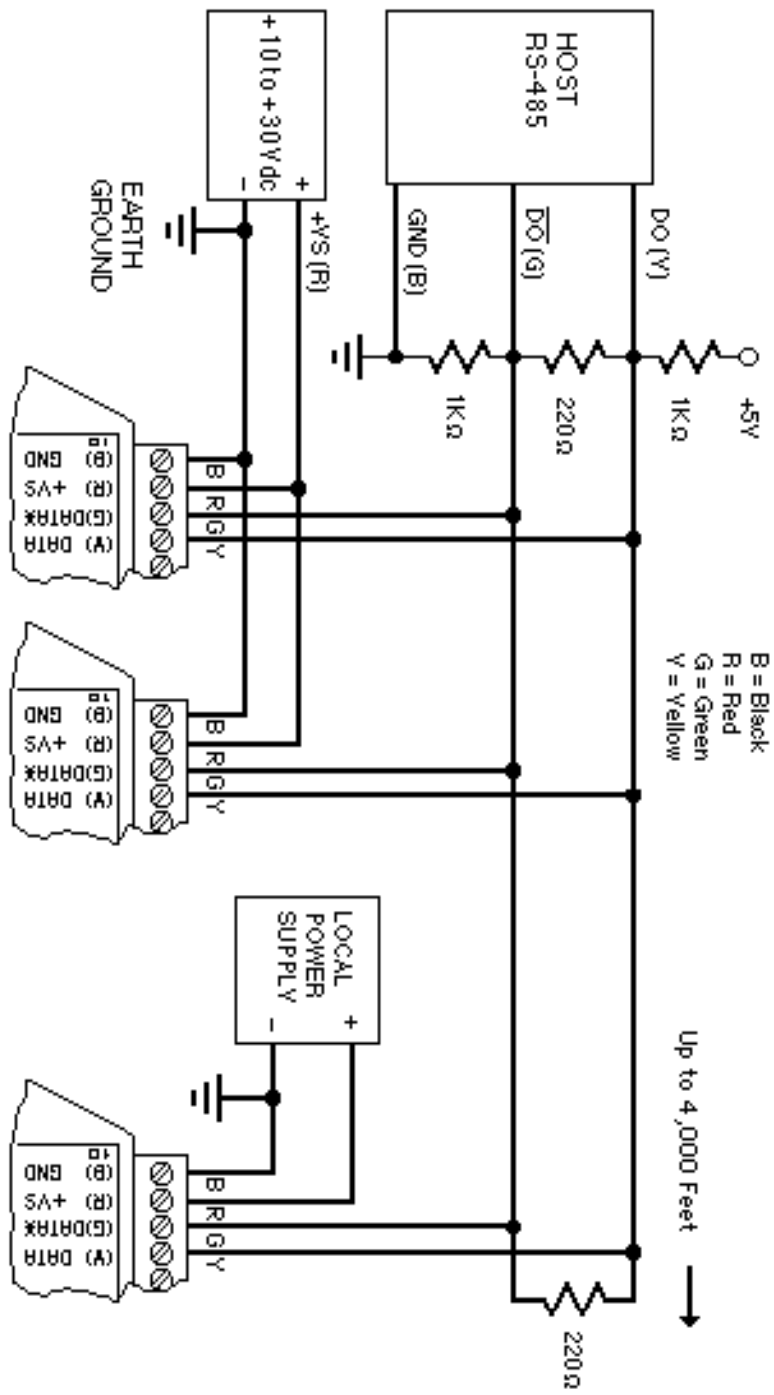


Figure 3.2 RS-485 Network.

Chapter 4 Command Set

The D3000M modules operate with a simple command/response protocol to control all module functions. A command must be transmitted to the module by the host computer or terminal before the module will respond with useful data. A module can never initiate a communications sequence. A variety of commands exists to exploit the full functionality of the modules. A list of available commands and a sample format for each command is listed in Table 4.1.

ASCII Command Structure

Each command message from the host must begin with a command prompt character to signal to the modules that a command message is to follow. There are two valid prompt characters; a dollar sign character (\$) is used to generate a short response message from the module. A short response is the minimum amount of data necessary to complete the command. The second prompt character is the pound sign character (#) which generates long responses (will be covered later).

The prompt character must be followed by a single address character identifying the module to which the command is directed. Each module attached to a common communications port must be setup with its own unique address so that commands may be directed to the proper unit. Module addresses are assigned by the user with the SetUp (SU) command. Printable ASCII characters such as '1' (ASCII \$31) or 'A' (ASCII \$41) are the best choices for address characters.

The address character is followed by a two or three-character command that identifies the function to be performed by the module. All of the available commands are listed in Table 4.1 along with a short function definition. Commands must be transmitted as upper-case characters.

A two-character checksum may be appended to any command message (except the ID command) as a user option. See 'Checksum' later in this chapter .

All commands must be terminated by a Carriage Return character (ASCII \$0D). (In all command examples in this text the Carriage Return is either implied or denoted by the symbol 'CR'.)

Data Structure

Many commands require additional data values to complete the command definition as shown in the example commands in Table 4.1. The particular data necessary for these commands is described in full in the complete command descriptions.

The most common type of data used in commands and responses is analog data. Analog data is always represented in the same format for all models in the D3000M series. Analog data is represented as a nine-character string consisting of a sign, five digits, decimal point, and two additional digits. The string represents a decimal value in engineering units. Examples:

```
+12345.68
+00100.00
-00072.10
-00000.00
```

When using commands that require analog data as an argument, the full nine-character string must be used, even if some digits are not significant. Failure to do this results in a SYNTAX ERROR.

Analog data responses from the module will always be transmitted in the nine-character format. This greatly simplifies software parsing routines since all analog data is in the same format for all module types.

In many cases, some of the digits in the analog data may not be significant. For instance, in the D3251M 0 to 20mA output module, the data is scaled in milliamps. The full scale output is +00020.00mA. The left three digits have no significance. However, the data format is always adhered to in order to maintain compatibility with other module types.

The maximum computational resolution of the module is 16 bits, which is less than the resolution that may be represented by an analog data variable. This may lead to round-off errors in some cases. For example, a limit value may be stored in a D3000M module using the 'HI' command:

```
Command: $1HI+12345.67
Response: *
```

The limit value is read back with the Read High (RHI) command:

```
Command: $1RHI
Response: *+12345.60
```

It appears that the data read back does not match the value that was originally saved. The error is caused by the fact that the value saved exceeds the computational resolution of the module. This type of round-off error only

appears when large data values saved in the module's EEPROM are read back. In most practical applications, the problem is non-existent.

The Digital Input, Hex Output and Setup commands use hexadecimal representations of data. The data structures for these commands are detailed in the command descriptions.

Write Protection

Many of the commands listed in Table 4.1 are under the heading of 'Write Protected Commands'. These commands are used to alter setup data in the module's EEPROM. They are write protected to guard against accidental loss of setup data. All write-protected commands must be preceded by a Write Enable (WE) command before the protected command may be executed.

Miscellaneous Protocol Notes

The address character must be transmitted immediately after the command prompt character. After the address character the module will ignore any character below ASCII \$23 (except, of course, CR). This allows the use of spaces (ASCII \$20) within the command message for better readability if desired.

The length of a command message is limited to 20 printable characters. If a properly addressed module receives a command message of more than 20 characters the module will abort the whole command sequence and no response will result.

If a properly addressed module receives a second command prompt before it receives a CR, the command will be aborted and no response will result.

Response Structure

Response messages from the module begin with either an asterisk '*' (ASCII \$2A) or a question mark '?' (ASCII \$3F) prompt. The '*' prompt indicates acknowledgment of a valid command. The '?' prompt precedes an error message. All response messages are terminated with a CR. Many commands simply return a '*' character to acknowledge that the command has been executed by the module. Other commands send data information following the '*' prompt. The response format of all commands may be found in the detailed command description.

The maximum response message length is 20 characters.

A command/response sequence is not complete until a valid response is received. The host may not initiate a new command until the response from a previous command is complete. Failure to observe this rule will result in

- 1) a normal response indicated by a '*' prompt
- 2) an error message indicated by a '?' prompt
- 3) a communications time-out error

When a module receives a valid command, it must interpret the command, perform the desired function, and then communicate the response back to the host. Each command has an associated delay time in which the module is busy calculating the response. If the host does not receive a response in an appropriate amount of time specified in Table 3.1, a communications time-out error has occurred. After the communications time-out it is assumed that no response data is forthcoming. This error usually results when an improper command prompt or address is transmitted.

Long Form Responses

When the pound sign '#' command prompt is used, the module responds with a 'long form' response. This type of response will echo the command message, supply the necessary response data and will add a two-character checksum to the end of the message. Long form responses are used when the host wishes to verify the command received by the module. The checksum is included to verify the integrity of the response data. The '#' command prompt may be used with any command. For example:

Command:	\$1RD	(short form)
Response:	*+00072.10	
Command:	#1RD	(long form)
Response:	*1RD+00072.10A4	(A4=checksum)

Checksum

Checksum is a two character hexadecimal value appended to the end of a message. It verifies that the message received is exactly the same as the message sent. The checksum ensures the integrity of the information communicated.

Command Checksum

A two-character checksum may be appended to any command (except 'ID') to the module as a user option. When a module interprets a command, it looks for the two extra characters and assumes that it is a checksum. If the checksum is not present, the module will perform the command normally. If the two extra characters are present, the module calculates the checksum for the message. If the calculated checksum does not agree with the transmitted checksum, the module responds with a 'BAD CHECKSUM' error message and the command is aborted. If the checksums agree, the command is executed. If the module receives a single extra character, it responds with 'SYNTAX ERROR' and the command is aborted. For example:

Command:	\$1RD	(no checksum)
Response:	*+00072.10	
Command:	\$1RDEB	(with checksum)
Response:	*+00072.10	
Command:	\$1RDAB	(incorrect checksum)
Response:	?1 BAD CHECKSUM	
Command:	\$1RDE	(one extra character)
Response:	?1 SYNTAX ERROR	

Response Checksums

If the long form '#' version of a command is transmitted to a module, a checksum will be appended to the end of the response. For example:

Command: \$1RD (short form)
Response: *+00072.10

Command: #1RD (long form)
Response: *1RD+00072.10A4 (A4=checksum)

Checksum Calculation

The checksum is calculated by summing the hexadecimal values of all the ASCII characters in the message. The lowest order two hex digits of the sum are used as the checksum. These two digits are then converted to their ASCII character equivalents and appended to the message. This ensures that the checksum is in the form of printable characters.

Example: Append a checksum to the command #1HX07FF

Characters:	#	1	H	X	0	7	F	F
ASCII hex values:	23	31	48	58	30	37	46	46
Sum (hex addition)	23 + 31 + 48 + 58 + 30 + 37 + 46 + 46 = 1E7							

The checksum is E7 (hex). Append the characters E and 7 to the end of the message: #1HX07FFE7.

Example: Verify the checksum of a module response *1RD+00072.10A4

The checksum is the two characters preceding the CR: A4

Add the remaining character values:

*	1	R	D	+	0	0	0	7	2	.	1	0
2A	+ 31	+ 52	+ 44	+ 2B	+ 30	+ 30	+ 30	+ 37	+ 32	+ 2E	+ 31	+ 30 = 2A4

The two lowest-order hex digits of the sum are A4 which agrees with the transmitted checksum.

The transmitted checksum is the character string equivalent to the calculated hex integer. The variables must be converted to like types in the host software to determine equivalency.

If checksums do not agree, a communications error has occurred.

If a module is setup to provide linefeeds, the linefeed characters are not included in the checksum calculation.

Parity bits are never included in the checksum calculation.

D3000M User Commands

Table 4.1 shows all the D3000M commands. For each case, a typical command and response is shown. Note that some commands only respond with an * as an acknowledgment. For clarity, Table 4.1 also separates write protected commands from commands that are not write protected.

Each D3000M user command is described in detail following Table 4.1. All of the commands are listed in alphabetical order according to command nomenclature.

Table 4.1 D3000 Command Set

Command	Definition	Typical Command Message	Typical Response Message
D3000M Commands			
ACK	Acknowledge	\$1ACK	*
AO	Analog Output	\$1AO+00020.00	*
DI	Digital Input	\$1DI	*0007
HX	Hex Output	\$1HX0FFF	*
RAO	Read Analog Output	\$1RAO	*+00017.50
RD	Read Data	\$1RD	*+00012.34
RHI	Read High Limit	\$1RHI	*+00020.00
RID	Read Identification	\$1RID	* B O I L E R
RLO	Read Low Limit	\$1RLO	*+00000.00
RMA	Read Modbus Address	\$1RMA	*0102
RMS	Read Manual Slope	\$1RMS	*+00004.00
RMX	Read Maximum	\$1RMX	*+00020.00
RMN	Read Minimum	\$1RMN	*+00000.00
RS	Read Setup	\$1RS	*31070140
RSL	Read Slope	\$1RSL	*+00100.00
RSU	Read Setup	\$1RSU	*31070140
RWT	Read Watchdog Timer	\$1RWT	*+00010.00
WE	Write Enable	\$1WE	*
The following D3000M commands are Write Protected			
HI	High Limit	\$1HI+00015.00	*
ID	Identification	\$1IDBOILER	*
LO	Low Limit	\$1LO+00004.00	*
MBD	Modbus Disable	\$1MBD	*
MBR	Modbus Enable	\$1MBR	*
RR	Remote Reset	\$1RR	*
SU	Setup	\$1SU310701C0	*
TMX	Trim Maximum	\$1TMX+00020.17	*
TMN	Trim Minimum	\$1TMN+00000.95	*
WT	Watchdog Timer	\$1WT+00010.00	*
WSL	Write Slope To EEPROM	\$1WSL+00100.00	*

Acknowledge (ACK)

The ACKnowledge command is a hand-shaking command used in conjunction with the Analog Output (AO) command. It is used to confirm the data sent to a module. See the Analog Output (AO) command for examples of ACK usage.

Command: \$1ACK
Response: *

Command: #1ACK
Response: *1ACK2A

Analog Output (AO)

The Analog Output (AO) command is the primary command used to control the analog output, whether it is current or voltage. The AO command can function in two different ways, depending on whether the '\$' or the '#' command prompt is used. In either case the analog output is specified in the standard 7-digit data format:

Command: \$1AO+00010.00
Response: *

If the analog output is scaled in milliamps, this particular command will direct the D3000 to produce 10mA. In this example, the '\$' command prompt is used to obtain an analog output immediately after the command is received by the module. The module performs the output function and responds with a '*' to provide a simple acknowledgement that the command has been executed.

The '#' form of the AO command requires the host to verify and acknowledge the command data before the module will execute the command. The data is acknowledged by the host with the ACKnowledge (ACK) command. Here is a typical command sequence:

Command: #1AO+00010.00
Response: *1AO+00010.0095

The host command is echoed back along with a checksum as is true with any command when used with the '#' command prompt. At this point the module has not performed the AO command. It is waiting for the host to acknowledge the command by sending an ACK command. This allows the host to examine the command as received by the module and verify that the data is correct. If the host is satisfied that the command data and the checksum are correct, it directs the module to go ahead and perform the AO by sending the ACK command. To complete the sequence:

Command: \$1ACK
Response: *

At this point the AO command will be performed by the module.

If the host determines that the data is not correct, it may abort the handshaking sequence by sending any valid command to the module (except for the ACK command of course). Example:

Command: #1AO+00010.00
Response: *1AO+00030.0097

In this case, the host examines the response data and determines that a communications error must have occurred since the response data does not match the command data. The command sequence may be aborted by simply sending a new AO command:

Command: #1AO+00010.00
Response: *1AO+00010.0095

This time the host verifies that the data is correct and commands the module to complete the task:

Command: \$1ACK
Response: *

Only at this point will a change occur on the analog output.

The output data specified in the AO command must lie within the input range of the module or else the command is aborted and the module will respond with a LIMIT ERROR message. The input range may be checked using the Read MiNimum (RMN) and Read MaXimum (RMX) commands. This is a typical command/response sequence that may be generated with a D3252 0-20mA module:

Command: \$1RMN
Response: *+00000.00 (this is the lower range limit)

Command: \$1RMX
Response: *+00020.00 (this is the upper range limit)

Command: \$1AO+00025.00
Response: ?1 LIMIT ERROR (the input range has been exceeded)

Command: \$1AO+00015.00
Response: * (data is within range)

The data in the AO command is also checked against user-defined limits specified by the LO and HI commands. Exceeding the user-defined limits will generate a LIMIT ERROR. (See LO and HI commands).

Any of the Manual Modes has priority over the AO command, and in some cases a MANUAL MODE error may be generated. See Manual Mode section for details.

Digital Input (DI)

The DI command reads the status of the digital inputs and the status of the analog output. The response to the DI command is four hex characters representing two bytes of data. The first byte contains the analog output status. The second byte contains the digital input data.

Command: \$1DI
Response: *0003

Command: #1DI
Response: *1DI0003AB

The first response byte gives the status of the analog output on D4000 units with controlled-rate outputs:

- 00 The output is steady-state.
- 01 Indicates the output is still slewing

The second byte displays the hex value of the digital input data.

Digital Inputs	DI2	DI1/UP*	DI0/DN*
Data Bits	2	1	0

All other bits read back as '0'

For example: A typical response from a \$1DI command could be: *0107. This response indicates that the output is still slewing and all digital inputs are = 1.

The DI command will return the state of the digital inputs even if one of the Manual Modes is in effect.

When reading digital inputs with a checksum, be sure not to confuse the checksum with the data.

Hex Output (HX)

The HeX Output (HX) command controls the analog output by sending hexadecimal data directly to the Digital to Analog Converter (DAC). The D3000M uses a 12-bit DAC with inputs ranging from \$0000 (- full scale) to \$0FFF (+ full scale) . The HX command uses this data to control the DAC:

Command: \$1HX07FF
Response: *
Command: #1HX07FF
Response: *1HX07FEE

This command will set the DAC to half scale. The leading zero is included to allow for future enhancements.

The HX command controls the DAC directly without checking limits, scaling, or trims. It is used by the factory for test purposes. However, it may be used in control situations where the absolute output value is relatively unimportant. The primary attribute of the HX command is speed, since it is not encumbered by the computation necessary for the AO command.

High Limit (HI)

The High Limit (HI) command sets a maximum limit to the analog output data. The data specified by the HI command is stored in nonvolatile memory and it is compared to the data specified by any subsequent Analog Output (AO) commands. If the AO data exceeds the HI limit, the AO command is aborted and the module will generate a LIMIT ERROR message.

Command: \$1HI+00015.00
Response: *
Command: #1HI+00015.00
Response: *1HI+00015.009B

In each of the two command examples, the HI limit has been set to 15 (milliamps, millivolts, or other units). If an attempt is made to exceed this limit with an Analog Output (AO) command, a LIMIT ERROR will result and the AO command is aborted.

Command: \$1AO+00016.00
Response: ?1 LIMIT ERROR

The HI command and its complement, the LOw Limit (LO) command restrict the range of analog outputs that may be obtained with the Analog Output (AO) command. This is useful in applications where unrestricted outputs may cause damage or improper operation of other equipment or processes.

The HI limit may be effectively disabled by setting it to it's highest value:

Command: \$1HI+99999.99
Response: *

The HI data may be read back with the Read HI (RHI) command.

The HI command is write protected and must be preceded with a Write Enable (WE) command.

The HI limit will not restrict outputs produced by the HeX Output (HX) command or the Manual Mode inputs.

IDentification (ID)

The IDentification (ID) command allows the user to write a message into the nonvolatile memory which may be read back at a later time with the Read IDentification (RID) command. It serves only as a convenience to the user and has no other affect on module operation. Any message up to 16 characters long may be stored in memory. Useful information such as the module location, calibration data, or model number may be stored for later retrieval.

Message examples:

Command:	\$1IDBOILER ROOM	(module location)
Response:	*	
Command:	#1IDBOILER ROOM	(module location)
Response:	*1IDBOILER ROOM02	
Command:	\$1ID 12/3/88	(calibration date)
Response:	*	
Command:	\$1ID 3251	(model number)
Response:	*	

The ID command is write-protected.

Caution: Command checksums are not supported by the ID command. Messages longer than 16 characters will abort the command.

LOw Limit (LO)

The LOw Limit (LO) command sets a minimum limit to the analog output data. The data specified by the LO command is stored in nonvolatile memory and it is compared to the data specified by any subsequent Analog Output (AO) commands. If the AO data is less than the LO limit, the AO command is aborted and the module will generate a LIMIT ERROR message.

Command:	\$1LO+00004.00
Response:	*
Command:	#1LO+00004.00
Response:	*1LO+00004.00A3

In each of the two command examples, the LO limit has been set to 4 (milliamps, millivolts, or other units). If an attempt is made to exceed this limit with an Analog Output (AO) command, a LIMIT ERROR will result and the AO command is aborted.

Command:	\$1AO+00002.00
Response:	?1 LIMIT ERROR

The LO command and its complement, the High Limit (HI) command restrict the range of analog outputs that may be obtained with the Analog Output (AO) command. This is useful in applications where unrestricted outputs may cause damage or improper operation of other equipment or processes.

The LO limit may be effectively disabled by setting it to it's lowest value:

Command:	\$1LO-99999.99
Response:	*

The LO data may be read back with the Read LO (RLO) command.

The LO command is write-protected and must be preceded with a Write Enable (WE) command.

The LO limit will not restrict outputs produced by the HeX Output (HX) command or the Manual Mode inputs.

Modbus RTU Enable (MBR)

To place a D3000M unit into Modbus protocol mode use the Modbus RTU (MBR) command. The MBR command must be used to specify the Modbus device address and enable the Modbus protocol mode. The device address consists of a two character hexadecimal value and is stored in EEPROM. The two byte address specified is translated to a one byte, 8 bit address required by the Modbus protocol. The example below can be used to specify a Modbus device address of "01".

Command: \$1MBR01

Response: *

Command: #1MBR01

Response: *1MBR019D

After the Modbus address is specified, a reset is necessary to activate the Modbus protocol mode. The reset may be accomplished in one of three ways:

- 1) Removing power for about 10 seconds to perform a power-up reset.
- 2) Momentarily grounding the Default* pin.
- 3) Issue a Write Enable (WE) command followed by a Remote Reset (RR) command.

After a reset is performed, the module is in Modbus protocol mode.

Modbus Disable (MBD)

The Modbus Disable (MBD) command is used to disable the Modbus protocol. A D3000M series unit in Modbus mode can be returned to ASCII protocol mode by connecting a jumper wire between pins GND and Default* pin. This places the module in Default Mode, where the module will only communicate at 300 baud, no parity, DGH ASCII protocol, and answer to any address. While in Default mode, transmit an MBD command to internally disable the Modbus protocol.

Following the MBD command a device reset must occur. The reset is necessary to activate the D3000M ASCII protocol. A reset can occur by removing the Default* jumper, performing a power-up reset or by transmitting a Write Enable (WE) and Remote Reset (RR) command sequence.

After a reset is performed, the module is in D3000M ASCII protocol mode.

Command: \$1MBD

Response: *

Command: #1MBD

Response: *1MBD2E

Read Analog Output (RAO)

The Read Analog Output (RAO) command is used to read back the data sent by the most recent Analog Output (AO) command. It is particularly useful when the D4000 is used with very low output slope values. The RAO gives

the eventual final output of the analog output.

The RAO simply reads back the argument of the most recent AO command and does not necessarily correlate with the actual analog output. See the RD command.

Command: \$1RAO
Response: *+00017.50

Command: #1RAO
Response: *1RAO+00017.50F3

Read Data (RD)

The Read Data (RD) command reads back the digital data being sent to the DAC at the time the RD command is performed. It is used to obtain the status of the output signal at any time. The data obtained is scaled in the same units as used with the Analog Output (AO) command.

Command: \$1RD
Response: *+00010.00

Command: #1RD
Response: *1RD+00010.009B

The RD command will read back instantaneous DAC data even if the output is being changed with the Manual Mode inputs or with the controlled output slew rates that may be obtained in D4000 units.

Since the RD command is the primary means of monitoring output data, a special short form of the command is available for faster response. If a D3000M unit is addressed without a command, the RD command is assumed by default:

Command: \$1
Response: *+00012.34

Command: #1
Response: *1RD+00010.009B

Note that the RD command returns the digital data that the microprocessor is currently sending to the DAC. It provides no guarantee that the analog output signal is being generated properly and that no output fault conditions exist. However, for a module that has been installed and verified for proper operation, the RD command is a reliable indicator of the output signal.

Read High Limit (RHI)

The Read High Limit (RHI) command reads back the HI Limit value stored in the nonvolatile memory. The HI limit may be changed by the HI command.

Command: \$1RHI
Response: *+00020.00

Command: #1RHI
Response: *1RHI+00020.00E9

Read IDentification (RID)

The Read IDentification (RID) command reads out the user data stored by the IDentification (ID) command. The ID and RID commands are included as a convenience to the user to store information in the D3000's nonvolatile memory.

Command: \$1RID
Response: *BOILER ROOM (example)

Command: #1RID
Response: *1RIDBOILER ROOM54 (example)

In this case the RID command has read back the message “BOILER ROOM” previously stored by the ID command. See ID command.

Read Low Limit (RLO)

The Read Low limit (RLO) command reads back the LO limit data stored in the nonvolatile memory. The LO limit may be changed by the LO command.

Command: \$1RLO
Response: *+00004.00

Command: #1RLO
Response: *1RLO+00004.00F5

Read Manual Slope (RMS)

The Read Manual Slope (RMS) command is used to read back the slope constant used in manual mode. This slope constant is implemented only when the analog output is controlled using the Up and Down pins on the terminal connector. The scaling is in units of mA/S or V/S for current and voltage outputs respectively. In D4000 units, the Manual Slope value may be modified by the MS command.

Command: \$1RMS
Response: *+00004.00

Command: #1RMS
Response: *1RMS+00004.00FA

Read MaXimum (RMX)

The Read MaXimum (RMX) command reads out the scaling data corresponding to + full scale at the analog output.

Command: \$1RMX
Response: *+00020.00

Command: #1RMX
Response: *1RMX+00020.00FD

Read MiNimum (RMN)

The Read MiNimum (RMN) command reads out the scaling data corresponding to - full scale at the analog output.

Command: \$1RMN
Response: *+00000.00

Command: #1RMN
Response: *1RMN+00000.00F1

Read Modbus Address (RMA)

The Read Modbus Address command is only used for troubleshooting purposes. The RMA command tells you if the Modbus protocol is enabled or disabled and the Modbus slave address in the module. This command should only be used when the module is in the DEFAULT mode.

Command: \$1RMA
Response: *0001

Command: #1RMA
Response: *1RMA0001FC

The response contains two bytes. The second byte contains the Modbus slave address, in this example 01. The first byte indicates whether the Modbus protocol is enabled or not enabled. In this example 00 indicates that the Modbus protocol is not enabled. If the first byte were 01 the Modbus protocol is enabled.

Read Setup (RS or RSU)

The Read Setup (RSU) command reads back the setup information loaded into the module's nonvolatile memory with the Setup (SU) command. The response to the RSU command is four bytes of information formatted as eight hex characters.

The response contains the module's channel address, baud rate and other parameters. Refer to the setup command (SU), and Chapter 5 for a list of parameters in the setup information.

When reading the setup with a checksum, be sure not to confuse the checksum with the setup information.

Command: \$1RSU
Response: *310701C0

Command: #1RSU
Response: *1RSU310701C0F4

The Read Setup (RS) command performs the same function, and is included to be compatible with the D1000/2000 series.

Command: \$1RS
Response: *310701C0

Command: #1RS
Response: *1RS310701C09F

Read Slope (RSL)

The Read Slope (RSL) command reads back the output slew rate constant stored in EEPROM. The slope data is scaled in V/S or mA/S. depending on the type of output.

Command: \$1RSL
Response: *+00010.00

Command: #1RSL
Response: *1RSL+00010.00F6

The data returned by these two command examples indicate that the slew rate stored in EEPROM is either 10V/S. or 10mA/S.

Read Watchdog Timer (RWT)

The Read Watchdog Timer (RWT) command reads the time interval necessary to activate the watchdog timer. The data is scaled in minutes.

Command: \$1RWT
Response: *+00010.00 (10 minutes)

Command: #1RWT
Response: *1RWT+00010.0002 (10 minutes)

In each of the two example commands, the response data indicates that the watchdog timer period is 10 minutes. The watchdog timer value may be set with the Watchdog Timer (WT) command.

Remote Reset (RR)

The Remote Reset (RR) command allows the host to perform a program reset on the module's microcomputer. This may be necessary if the module's internal program is disrupted by static or other electrical disturbances.

Command: \$1RR
Response: *

Command: #1RR
Response: *1RRFF

The RR command will halt any analog output to its present value.

The RR command is write-protected.

The RR command is required for a baud rate change.

Setup (SU)

Each module contains an EEPROM (Electrically Erasable Programmable Read Only Memory) which is used to store module setup information such as address, baud rate, parity, etc. The EEPROM is a special type of memory that will retain information even if power is removed from the module. The EEPROM is used to replace the usual array of DIP switches normally used to configure electronic equipment.

The SetUp command is used to modify the user-specified parameters contained in the EEPROM to tailor the module to your application. Since the SetUp command is so important to the proper operation of a module, a whole section of this manual has been devoted to its description. See Chapter 5.

The SU command requires an argument of eight hexadecimal digits to describe four bytes of setup information:

Command: \$1SU31070182
Response: *

Command: #1SU31070182
Response: *1SU3107018299

Trim MaXimum (TMX)**Trim MiNimum (TMN)**

The TMX and TMN commands are used to calibrate the analog output circuitry of the module. These commands are used to communicate actual measured output data to the modules so that a trim calculation may be performed:

Command: \$1TMN+00000.12
Response: *

Command: #1TMX+00019.98
Response: *1TMX+00019.9818

Refer to the Calibration section for details on output trims and the use of the TMN and TMX commands.

Caution: Unwarranted use of the TMN and TMX commands will destroy the calibration of the unit. These commands must be used with a calibrated voltmeter or ammeter to assure output accuracy.

Watchdog Timer (WT)

The Watchdog Timer (WT) command stores a data value in EEPROM specifying the time-out value of the watchdog timer. The time data is scaled

in minutes:

Command: \$1WT+00010.00

Response: *

Command: #1WT+00010.00

Response: *1WT+00010.00B0

These two command examples set the watchdog time value to 10 minutes. In this example, if the module does not receive a valid command for a period of 10 minutes, the analog output will automatically be forced to the Starting Value.

The watchdog timer may be disabled by setting the timer value to +99999.99. The range of usable values is .69 to 655.35.

WT command data less than 0.69 minutes will result in a VALUE ERROR. The WT command is write protected.

Write Enable (WE)

The Write Enable (WE) command must precede commands that are write-protected. This is to guard against accidentally writing over valuable data in EEPROM. To change any write protected parameter, the WE command must precede the write-protected command. The response to the WE command is an asterisk indicating that the module is ready to accept a write-protected command. After the write-protected command is successfully completed, the module becomes automatically write disabled. Each write-protected command must be preceded individually with a WE command. For example:

Command: \$1WE

Response: *

Command: #1WE

Response: *1WEF7

If a module is write enabled and the execution of a command results in an error message other than WRITE PROTECTED, the module will remain write enabled until a command is successfully completed resulting in an '*' prompt. This allows the user to correct the command error without having to execute another WE command.

Write Slope To EEPROM

The Write Slope (WSL) command is used to set the output slew rate for analog outputs performed by the Analog Output (AO) command. The slope data is scaled in either V/S or mA/S:

Command: \$1WSL+00100.00

Response: *

Command: #1WSL+00100.00

Response: *1WSL+00100.00FB

The range of usable values is 16.00 to 65535.00. These two sample commands will set the output slope rate to 100V/S or 100mA/S.

The Write Slope (WSL) command stores the rate data in Random Access Memory (RAM) and in nonvolatile EEPROM.

The WSL command is write protected.

ASCII ERROR MESSAGES

All modules feature extensive error checking on input commands to avoid erroneous operation. Any errors detected will result in an error message and the command will be aborted.

All error messages begin with “?”, followed by the channel address, a space and error description. The error messages have the same format for either the ‘ \$ ’ or ‘ # ’ prompts. For example:

?1 SYNTAX ERROR

There are nine error messages, and each error message begins with a different character. Host computer software can identify an error by the first character; it is not necessary to read the whole string.

ADDRESS ERROR

There are four ASCII values that are illegal for use as a module address: NULL (\$00), CR (\$0D), \$ (\$24), and # (\$23). The ADDRESS ERROR will occur when an attempt is made to load an illegal address into a module with the SetUp (SU) command. An attempt to load an address greater than \$7F will also produce an error.

BAD CHECKSUM

This error is caused by an incorrect checksum included in the command string. The module recognizes any two hex characters appended to a command string as a checksum. Usually a BAD CHECKSUM error is due to noise or interference on the communications line. Often, repeating the command solves the problem. If the error persists, either the checksum is calculated incorrectly or there is a problem with the communications channel. More reliable transmissions might be obtained by using a lower baud rate.

COMMAND ERROR

This error occurs when a command is not recognized by the module. Often this error results when the command is sent with lower-case letters. All valid commands are upper-case.

LIMIT ERROR

A LIMIT ERROR may occur when using the Analog Output (AO) command if:

- a) the AO data exceeds the input span range defined by the MiNimum (MN) and MaXimum (MX) values
- b) the AO data exceeds a limit set by the LOw Limit (LO) or HIgh Limit (HI) commands
- c) the output is inhibited by a limit switch (see Manual Modes)

MANUAL MODE

This error may occur when using the Analog Output (AO) or HeX Output (HX) commands while the output is being controlled by either the Up/Down Manual Mode or the Controller Input Manual Mode. The Manual Modes have priority over the host-generated commands.

PARITY ERROR

A PARITY ERROR can only occur if the module is setup with parity on (see Setup). Usually a parity error results from a bit error caused by interference on the communications line. Random parity errors are usually overcome by simply repeating the command. If too many errors occur, the communications channel may have to be improved or a slower baud rate may be used.

A consistent parity error will result if the host parity does not match the module parity. In this situation, the easiest solution may be to change the parity in the host to obtain communication. At this point the parity in the module may be changed to the desired value with the SetUp (SU) command.

Chapter 5

Setup Information/SetUp Command

All Modbus modules are setup before installation using the SetUp (SU). The user options include a choice of baud rate, parity, address, and many other parameters. The particular choice of options for a module is referred to as the setup information.

The setup information is loaded into the module using the SetUp (SU) command. The SU command stores 4 bytes (32 bits) of setup information into a nonvolatile memory contained in the module. Once the information is stored, the module can be powered down indefinitely (10 years minimum) without losing the setup data. The nonvolatile memory is implemented with EEPROM so there are no batteries to replace.

The EEPROM has many advantages over DIP switches or jumpers normally used for option selection. The module never has to be opened because all of the options are selected through the communications port. This allows the setup to be changed at any time even though the module may be located thousands of feet away from the host computer or terminal. The setup information stored in a module may be read back at any time using the Read Setup command (RS).

The following options can be specified by the SetUp command:

Channel address (247) values

Linefeeds

One, two stop bits

Parity (odd, even, none)

Baud rate (300 to 115,200)

Communication delay (0-6 characters)

Number of displayed digits

Limits enable/disable

Manual Mode enable/disable

Manual Up/Down Inputs

Controller Inputs

Limit Switches: Normally Open/Normally Closed

Each of these options will be described in detail below. For a quick look-up chart on all options, refer to Tables 5.1-4.

Command Syntax

The general format for the SetUp (SU) command is:

\$1SU[byte1][byte 2][byte 3][byte 4]

A typical SetUp command would look like: \$1SU31070180.

Notice that each byte is represented by its two-character ASCII equivalent. In this example, byte 1 is described by the ASCII characters '31' which is the equivalent of binary 0011 0001 (31 hex). The operand of a SU command must contain exactly 8 hex (0-F) characters. Any deviation from this format will result in a SYNTAX ERROR. Appendix A contains a convenient hex-to-binary conversion chart.

For the purposes of describing the SetUp command, 'bit 7' refers to the highest-order bit of a byte of data. 'Bit 0' refers to lowest-order bit:

'bit number':	7	6	5	4	3	2	1	0
binary data:	0	0	1	1	0	0	0	1 = \$31 (hex)

The SU command is write protected to guard against erroneous changes in the setup data; therefore each SU command must be preceded by a Write Enable (WE) command. To abort an SU command in progress, simply send a non-hex character (an 'X' for example) to generate a SYNTAX ERROR, and try again.

Caution: Care must be exercised in using the SU command. Improper use may result in changing communications parameters (address, baud rate, parity) which will result in a loss of communications between the host and the module. In some cases the user may have to resort to using Default Mode to restore the proper setups. The recommended procedure is to first use the Read Setup (RS) command to examine the existing setup data before proceeding with the SU command.

Byte 1

Byte 1 contains the module (channel) address. The address is stored as the ASCII code for the string character used to address the module. In our example command \$1SU31070180, the first byte '31' is the ASCII code for the character '1'. If our sample command is sent to a module, the EEPROM will be loaded with the address '1', which in this particular case remains unchanged. To change the module address to '2', byte 1 of the SetUp command becomes '32', which is the ASCII code for the character '2'. Now the command will look like this: \$1SU32070180. When this command is sent, the module address is changed from '1' to '2'.

The module will no longer respond to address '1'.

When using the SU command to change the address of a module, be sure to record the new address in a place that is easily retrievable. The only way to communicate with a module with an unknown address is with the Default Mode.

The most significant bit of byte 1 (bit 7) must be set to '0'. In addition, there are four ASCII codes that are illegal for use as an address. These codes are \$00, \$0D, \$24, \$23 which are ASCII codes for the characters NUL, CR, \$, and #. Using these codes for an address will cause an ADDRESS ERROR and the setup data will remain unchanged. This leaves a total of 124 possible addresses that can be loaded with the SU command. It is highly recommended that only ASCII codes for printable characters be used (\$21 to \$7E) which greatly simplifies system debugging with a dumb terminal. Refer to Appendix A for a list of ASCII codes. Table 5.1 lists the printable ASCII codes that may be used as addresses.

Table 5.1 Byte 1 ASCII Printable Characters.

HEX	ASCII	HEX	ASCII	HEX	ASCII	HEX	ASCII
21	!	3A	:	51	Q	68	h
22	“	3B	;	52	R	69	i
25	%	3C	<	53	S	6A	j
26	&	3D	=	54	T	6B	k
27	‘	3E	>	55	U	6C	l
28	(3F	?	56	V	6D	m
29)	40	@	57	W	6E	n
2A	*	41	A	58	X	6F	o
2B	+	42	B	59	Y	70	p
2C	,	43	C	5A	Z	71	q
2D	-	44	D	5B	[72	r
2E	.	45	E	5C	\	73	s
2F	/	46	F	5D]	74	t
30	0	47	G	5E	^	75	u
31	1	48	H	5F	_	76	v
32	2	49	I	60	‘	77	w
33	3	4A	J	61	a	78	x
34	4	4B	K	62	b	79	y
35	5	4C	L	63	c	7A	z
36	6	4D	M	64	d	7B	{
37	7	4E	N	65	e	7C	
38	8	4F	O	66	f	7D	}
39	9	50	P	67	g	7E	~

Byte 2

Byte 2 is used to configure some of the characteristics of the communications channel; linefeeds, parity, and baud rate.

Linefeeds

The most significant bit of byte 2 (bit 7) controls linefeed generation by the module. This option can be useful when using the module with a dumb terminal. All responses from the modules are terminated with a carriage return (ASCII \$0D). Most terminals will generate a automatic linefeed when a carriage return is detected. However, for terminals that do not have this capability, the modules can generate the linefeed if desired. By setting bit 7 to '1' the module will send a linefeed (ASCII \$0A) before and after each response. If bit 7 is cleared (0), no linefeeds are transmitted.

When using the '#' command prompt, the linefeed characters are not included in the checksum calculation.

Parity

Bits 5 and 6 select the parity to be used by the module. Bit 5 turns the parity on and off. If bit 5 is '0', the parity of the command string is ignored and the parity bit of characters transmitted by the module is set to '1'.

If bit 5 is '1', the parity of command strings is checked and the parity of characters output by the module is calculated as specified by bit 6.

If bit 6 is '0', parity is even; if bit 6 is '1', parity is odd.

If a parity error is detected by the module, it will respond with a PARITY ERROR message. This is usually caused by noise on the communications line.

If parity setup values are changed with the SU command, the response to the SU command will be transmitted with the old parity setup. The new parity setup becomes effective immediately after the response message from the SU command.

Baud Rate

Bits 0-3 specify the communications baud rate. The baud rate can be selected from eight values between 300 and 115200 baud. Refer to Table 5.2 for the desired code.

The baud rate selection is the only setup data that is not implemented directly after an SU command. In order for the baud rate to be actually changed, a module reset must occur. A reset is performed by sending a Remote Reset (RR) command or powering down. This extra level of write protection is necessary to ensure that communications to the module is not

accidentally lost. This is very important when changing the baud rate of an RS-232C string.

Let's run through an example of changing the baud rate. Assume our sample module contains the setup data value of '31070180'. Byte 2 is '07'. By referring to the SU command chart we can determine that the module is set for no linefeeds, no parity, and baud rate 300. If we perform the Read Setup command with this module we would get:

Command: \$1RS
Response: *31070180

Let's say we wish to change the baud rate to 9600 baud. The code for 9600 baud is '010' (from Table 5.2). This would change byte 2 to '02'. To perform the SU command we must first send a Write Enable command because SU is write protected:

Command: \$1WE
Response: *
Command: \$1SU31020180
Response: *

This sequence of messages is done in 300 baud because that was the original baud rate of the module. The module remains in 300 baud after this sequence. We can use the Read Setup (RS) command to check the setup data:

Command: \$1RS
Response: *31020180

Notice that although the module is communicating in 300 baud, the setup data indicates a baud rate of 9600 (byte 2 = '02'). To actually change the baud rate to 9600, send a Remote Reset (RR) command (RR is write protected):

Command: \$1WE
Response: *
Command: \$1RR
Response: *

Up to this point all communications have been sent at 300 baud. The module will not respond to any further communications at 300 baud because it is now running at 9600 baud. At this point the host computer or terminal must be set to 9600 baud to continue operation.

If the module does not respond to the new baud rate, most likely the setup data is incorrect. Try various baud rates from the host until the module responds. The last resort is to set the module to Default Mode where the baud rate is always 300.

Setting a string of RS-232C modules to a new baud rate requires special consideration. Refer to Chapter 3 for instructions.

Bit 4

Bit 4 selects either one or two stop bits in Modbus RTU mode only.

Table 5.2 Byte 2: Linefeed, Parity and Baud Rate.

BYTE 2 FUNCTION	DATA BIT							
	7	6	5	4	3	2	1	0
LINEFEED	1							
NO LINEFEED	0							
NO PARITY		0	0					
NO PARITY		1	0					
EVEN PARITY		0	1					
ODD PARITY		1	1					
2 STOP BITS (MODBUS RTU ONLY)				0				
1 STOP BIT (MODBUS RTU ONLY)				1				
115200 BAUD					1	0	0	0
57600 BAUD					1	0	0	1
38400 BAUD					0	0	0	0
19200 BAUD					0	0	0	1
9600 BAUD					0	0	1	0
4800 BAUD					0	0	1	1
2400 BAUD					0	1	0	0
1200 BAUD					0	1	0	1
600 BAUD					0	1	1	0
300 BAUD					0	1	1	1

Byte 3

This byte contains the setup information for additional communications options. The default value for this byte is '01'.

Limit Disable

Bit 4 may be used to disable any limit checking on limits set by the LO and HI limit commands. Bit 4 is normally set to '0'; Bit 4 is set to '1' to inhibit limit checking.

Delay

Bits 0 and 1 specify a minimum turn-around delay between a command and the module response. This delay time is useful on host systems that are not fast enough to capture data from quick-responding commands such as DI. This is particularly true for systems that use software UART's. The specified delay is added to the typical command delays listed in the Software Considerations section of Chapter 3. Each unit of delay specified by bits 0 and 1 is equal to the amount of time required to transmit one character with the baud rate specified in byte 2. For example, one unit of delay at 300 baud is 33.3 mS; for 38.4 kilobaud the delay is 0.26 mS. The number of delay units is selectable from 0 to 6 as shown in Table 5.3.

In some systems, such as IBM BASIC, a carriage return (CR) is always followed by a linefeed (LF). The modules will respond immediately after a command terminated by a CR and will ignore the linefeed. To avoid a communications collision between the linefeed and the module response, the module should be setup to delay by 2 units.

Table 5.3 Byte 3 Options.

BYTE 3

FUNCTION	DATA BIT							
	7	6	5	4	3	2	1	0
NOT USED	0	0	0					
LIMITS ENABLED				0				
LIMITS DISABLED				1				
NOT USED					0	0		
NO DELAYS							0	0
2 BYTE TIME DELAYS							0	1
4 BYTE TIME DELAYS							1	0
6 BYTE TIME DELAYS							1	1

Byte 4

This setup byte specifies the number of displayed digits and the Manual Mode configuration.

Number of displayed digits

For ease of use, the data format of all modules is standardized to a common 7-digit configuration consisting of sign, 5 digits, decimal point, and two more digits. Typical data looks like: +00100.00. However, best-case resolution of the DAC (digital-to-analog converter) is 12 bits or about 3 1/2 digits. In some cases, the resolution of the output format is much greater than the resolution of the DAC. In such cases, the low-order digits would display meaningless information. Bits 6 and 7 are used to insert trailing zeros into the data format to limit the output resolution and mask off meaningless digits.

Bit 7	Bit 6		
0	0	XXXX0.00	(4 displayed digits)
0	1	XXXXX.00	(5 displayed digits)
1	0	XXXXX.X0	(6 displayed digits)
1	1	XXXXX.XX	(7 displayed digits)

The number of displayed digits only affects data read back by the RD and RAD commands.

Manual Mode Disable

Bit 2 is normally set to '0' which allows the Manual Mode inputs to affect the analog output. Setting bit 2 to '1' disables the Manual Modes.

Manual Mode Select

Bits 0 and 1 allow the user to select among four different Manual Modes. Manual Modes allow the analog output to be controlled by the UP* and DN* pins on the module connector. Details on Manual Modes are given in the Manual Mode section.

Table 5.4 Byte 4 Displayed Digits and Manual Mode Select

BYTE 4							
FUNCTION	DATA BIT						
	7	6	5	4	3	2	1 0
+XXXX0.00 DISPLAYED DIGITS	0	0					
+XXXXX.00 DISPLAYED DIGITS	0	1					
+XXXXX.X0 DISPLAYED DIGITS	1	0					
+XXXXX.XX DISPLAYED DIGITS	1	1					
NOT USED		0	0		0		
MANUAL MODES ENABLED						0	
MANUAL MODES DISABLED						1	
UP/DOWN MODE							0 0
CONTROLLER INPUT							0 1
LIMIT SWITCHES N. O.							1 0
LIMIT SWITCHES N. C.							1 1

Setup Hints

Until you become completely familiar with the SetUp command, the best method of changing setups is to change one parameter at a time and to verify that the change has been made correctly. Attempting to modify all the setups at once can often lead to confusion. If you reach a state of total confusion, the best recourse is to reload the factory setup as shown in Table 5.5 and try again, changing one parameter at a time. Use the Read Setup (RS) command to examine the setup information currently in the module as a basis for creating a new setup. For example:

Assume you have a D3000M unit and you wish to setup the unit to echo so that it may be used in a daisy-chain (See Communications). Read out the current setup with the Read Setup command:

Command: \$1RS
Response: *310701C0

By referring to Table 5.3, we find that the echo is controlled by bit 2 of byte 3. From the RS command we see that byte 3 is currently set to 01. This is the hexadecimal representation of binary 0000 0001. To set echo, bit 2 must be set to '1'. This results in binary 0000 0101. The new hexadecimal value of byte 3 is 05. To perform the SU command, use the data read out with the RS command, changing only byte 3:

Command: \$1WE (SU is write-protected)
Response: *
Command: \$1SU310705C0
Response: *

Verify that the module is echoing characters and the setup is correct.

By using the RS command and changing one setup parameter at a time, any problems associated with incorrect setups may be identified immediately. Once a satisfactory setup has been developed, record the setup value and use it to configure similar modules.

If you commit an error in using the SetUp command, it is possible to lose communications with the module. In this case, it may be necessary to use the Default Mode to re-establish communications.

Table 5.5 Factory Setups by Model.

(All modules from the factory are set for address '1', 300 baud, no parity)

Model	Setup Message
D312XM, D316XM	31070180
D313XM, D314XM, D317XM, D318XM	31070140
D325XM, D326XM	310701C0

Setup Software

Windows utility software for the PC and compatibles is available to facilitate module setup. Contact factory for details.

Chapter 6

Digital I/O Functions and Manual Mode

MANUAL MODES/DIGITAL INPUTS

Each D3000M module has three digital input connections designated as DI0/DN*, DI1 /UP*, and DI2. These inputs have a dual function; they may be used as control inputs which influence the analog output or they may be used as general-purpose digital inputs. The function of the input pins is programmable with the SetUp (SU) command.

The inputs are protected to voltages up to $\pm 30V$ and are normally pulled up to the logic "1" condition (see Figure 6.1). Digital inputs can be read with the Digital Input (DI) command. Voltage inputs less than 1V are read back as '0'. Signals greater than 3.5V are read as '1'.

Switch closures can be read by the digital input by simply connecting the switch between GND terminal and a digital input. Internal pull-ups are used so additional parts are unnecessary.

The pull-ups supply only 0.5mA; therefore, self-wiping switches designed for low current operation should be used. For other types of switches, it may be necessary to provide extra pull-up current with an external resistor. The resistor should be tied between the switch and +Vs.

Digital inputs may be used to sense AC voltages by using isolated sensing modules offered by many manufacturers.

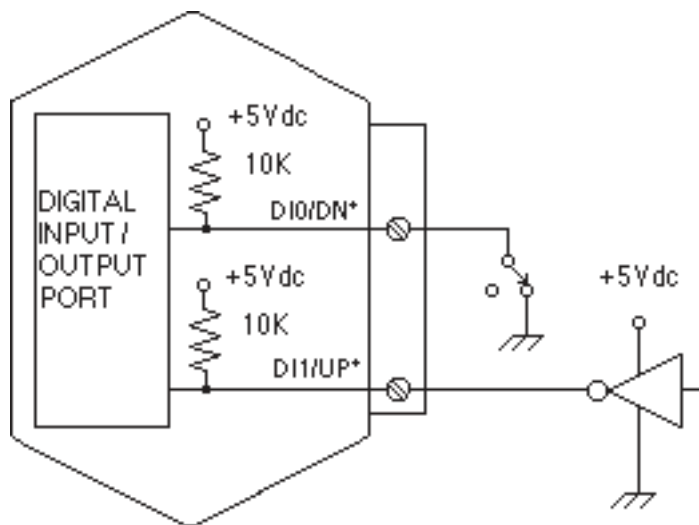


Figure 6.1 Digital Inputs.

MANUAL MODES

The D3000M modules may be configured to use the digital inputs to control the analog output. These functions are called Manual Modes. Four different Manual Modes may be specified:

Up/Down
 Controller Input
 Limit Switch NO
 Limit Switch NC

These modes are selected by Bits 0 and 1 of Byte 4 in the Setup data. (See Setup section). Also, the Manual Mode Disable bit (Bit 2, Byte 4) must be cleared to enable Manual Modes.

UP/DOWN

Manual Up/Down control is the standard configuration when the module is shipped from the factory. This configuration provides a local operator interface to control the analog output value independent of the host computer. The analog output may be moved up or down by manipulating the UP* and DN* inputs. The control inputs may come from simple switches or may be logic signals originating from other equipment. Figure 6.2 shows the simplest connection. With the two switches, four different input combinations are possible:

<u>UP*</u>	<u>DN*</u>	
0	0	Hold
0	1	Slope Up
1	0	Slope Down
1	1	No Action

Since the digital inputs are pulled up internally, no connection or an open pushbutton generates a logic '1'. Shorting the input line to ground or closing the pushbutton generates a logic '0'. The '*' in the terminal labels indicate that the inputs are negative true.

If both switches are open, a logic 1, 1 is generated and no manual action is performed.

If the UP* signal input is grounded by closing the UP pushbutton, the analog output will slope up to + Full Scale. A smooth slope in the output is generated by incrementing the DAC approximately 1000 times a second. If only the DN* input is grounded, the analog output will slope towards - Full Scale. The analog output will stop moving when the switches are released.

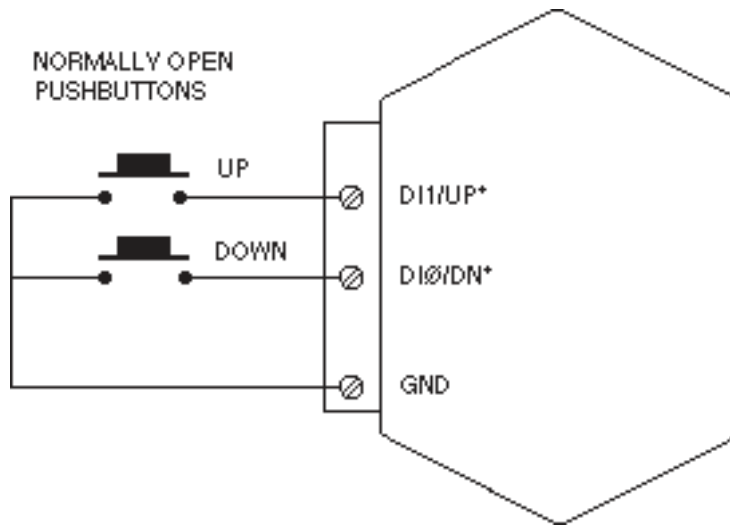


Figure 6.2 Manual Up/Down Control.

The slope rate on D3000M modules is fixed and cannot be changed. The manual slope on D3000M units is scaled so that a full-scale output change requires 5 seconds to complete.

The Manual Modes have priority over host-generated output commands. If either or both of the UP* and DN* inputs is held low, an Analog Output (AO) or HeX output (HX) command generated by the host will result in a MANUAL MODE error message and the host command is aborted. This brings us to the fourth switch combination, when both input switches are on. If both UP* and DN* signals are held at logic '0', the analog output will hold its present value. Any attempts by the host computer to change the output will result in a MANUAL MODE error.

Another useful switch configuration is shown in Figure 6.3. This circuit is useful when the module is on-line with a host which is actively sending output commands to the module. This circuit will lock out the host while manual operations are being performed. Under normal host control, the Manual/Host switch is left open. For manual operation, the toggle switch is closed, grounding both UP* and DN* inputs. This will prevent the host from controlling the analog output. The output may be controlled manually by depressing the normally-closed pushbuttons. Note that the 'UP' button is connected to the DN* input.

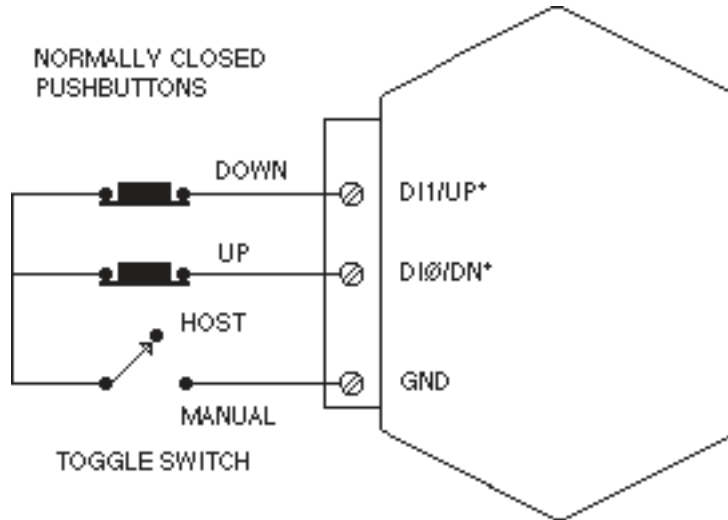


Figure 6.3 Manual Up/Down Control With Host Lock-Out.

CONTROLLER INPUT

This Manual Mode is a variation of the manual up/down control specifically setup for operation with ON-OFF controllers. With this mode, a D3000M unit may be used to add an analog control output to an ON-OFF or time-proportional controller. The truth table for this mode is:

UP*	DN*	Action
0	0	Slope Up
0	1	No Action
1	0	Slope Down
1	1	No Action

With this setup, the DN* input acts as an enable signal. If the DN* input is high or open, no Manual Mode action takes place. If the signal is grounded, the controller input is enabled and the analog output will slope up or down. The slope direction is controlled by the UP* input. In this mode of operation, the analog output value is the integral of the UP* signal input. In order to keep the analog output in the linear region, an external signal must be used to manipulate the UP* input. This is usually done through feedback.

The slope rate used at the analog output in controller mode is the value specified for manual slope. The slope rate is fixed on D3000M units.

LIMIT SWITCHES

Two of the Manual Modes allow the use of limit switches or other external digital signals to limit the analog output that may be obtained with the Analog Output (AO) command. The limit switch mode may be programmed to accommodate either normally-open (NO) switches or normally-closed (NC) switches. See the Setup section for mode selection details.

Figure 6.4 shows a typical module with normally-open limit switches. If the switches remain open, module operation is not affected. If the Down Limit switch is closed, an attempt to decrease the analog output signal with the AO command will result in a LIMIT ERROR message and the command will be aborted. An AO command to increase the analog output will be performed normally. As long as the Down Limit switch is closed, the analog output cannot be decreased from its present value with an AO command.

Conversely, if the Down Limit switch is open and the UP Limit switch is closed, an attempt to increase the analog output with the AO command will result in a LIMIT ERROR. The output may be decreased with no error.

If both limit switches are closed, any attempt to use the AO command will result in a LIMIT ERROR.

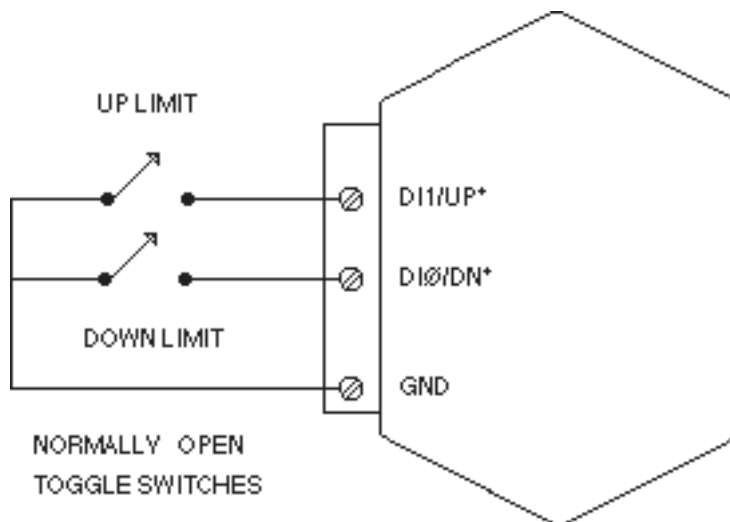


Figure 6.4 Using Switches to Limit Analog Output.

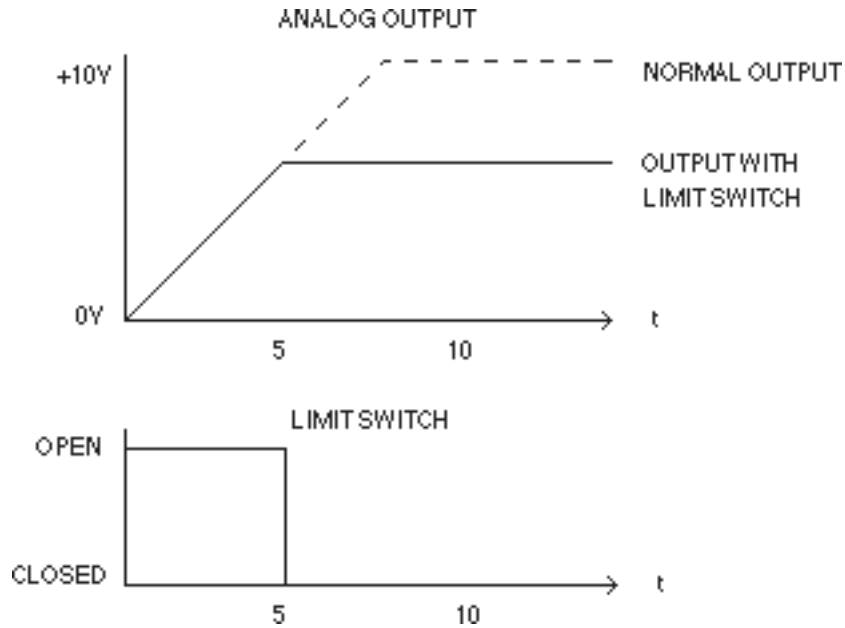


Figure 6.5 Using Limit Switches To Stop An Analog Output Ramp.

On D3000M units with controlled output ramps, the limit switches will stop the output even after a successful AO command. Figure 6.5 illustrates this action. In this example a D3181M voltage-output module is programmed with an output slope of 1V/S. Assume that the output voltage value is initially 0V. The command: \$1AO+10000.00 will ramp the output to +10V. However, if the UP* limit switch is activated before the output reaches 10V, the output will stop and the AO command is terminated. The limit switch condition may be read by the DI command and the analog output may be read with the RD or RAD commands.

The Manual Mode setup may be configured to allow either Normally Open (NO) or Normally Closed (NC) switches. The truth table for either mode is:

Inputs		Action	
DN*	UP*	NO	NC
0	0	Hold	No Limit
0	1	Down Limit	Up Limit
1	0	Up Limit	Down Limit
1	1	No Limit	Hold

1= Open Switch

Chapter 7 Power Supply

D3000M modules may be powered with an unregulated +10 to +30Vdc supply. Power-supply ripple must be limited to 5V peak-to-peak, and the instantaneous ripple voltage must be maintained between the 10 and 30 volt limits at all times. All power supply specifications are referred to the module connector; the effects of line voltage drops must be considered when the module is powered remotely.

All D3000M modules employ an on-board switching regulator to maintain good efficiency over the 10 to 30 volt input range; therefore the actual current draw is inversely proportional to the line voltage. D3000M voltage output modules consume a maximum of 0.75 watts and D3000M current output models consume 1.0 watts maximum. The power consumption figures should be used in determining the power supply current requirement. For example, assume a 24 volt power supply will be used to power four voltage output modules. The total power requirement is $4 \times 0.75 = 3$ watts. The power supply must be able to provide $3 \div 24 = 0.125$ amps.

The low voltage detection circuit shuts down the module at approximately 9.5Vdc. If the module is interrogated while in a low power supply condition, the module will not respond. Random NOT READY error messages could indicate that the power supply voltage is periodically drooping below the 10V minimum.

Small systems may be powered by using wall-mounted calculator-type modular power supplies. These units are inexpensive and may be obtained from DGH (PS-3) or many retail electronics outlets.

For best reliability, modules operated on long communications lines (>500 feet) should be powered locally using small calculator-type power units. This eliminates the voltage drops on the Ground lead which may interfere with communications signals. In this case the V+ terminal is connected only to the local power supply. The Ground terminal must be connected back to the host to provide a ground return for the communications loop.

All D3000M modules are protected against power supply reversals.

Chapter 8

Troubleshooting

Symptom:

RS-232 Module is not responding to commands.

RS-485 Module is not responding to commands.

Module responds with ?1 COMMAND ERROR TO every command.

Characters in each response message appear as graphics characters.

• RS-232 Module is not responding to commands

1. Using a voltmeter, measure the power supply voltage at the +Vs and GND terminals to verify the power supply voltage is between +10 and +30Vdc.
2. Verify using an ohmmeter that there are no breaks in the communications data lines.
3. Connect the module to the host computer and power-up each device (module and computer) then using a voltmeter measure the voltage between RECEIVE and GND. This voltage should be approximately -10Vdc. Repeat the measurement between TRANSMIT and GND terminals and confirm the voltage value to be approximately -10Vdc. If either of the two readings is approximately 0.0Vdc then the communications data lines are wired backwards. Proper communications levels on both TRANSMIT and RECEIVE terminals should idle at -10Vdc.
4. If you are using a serial communications converter (A1000) ensure that the communications Baud Rate switch is set to the proper Baud Rate value.
5. Confirm software communications settings in Host computer match those values being used by the connected module(s).
6. If the Baud Rate value being used in the application is greater than 300 Baud and the module will only communicate 300 Baud then make sure that the DEFAULT* terminal is not connected to Ground (GND).
7. If the module(s) are being used in a RS-232 daisy-chain communications configuration then ensure that the "Echo Bit" is enabled in the setup(SU) message of each module.
8. If the problem is not corrected after completing the steps above then connect the module by itself to a Host computer as outlined in Chapter 1.0 under "Quick Hook-up". Start the supplied Utility software and please call the factory for further assistance.

• **RS-485 Module is not responding to commands**

1. Perform steps 1, 2, 4, 5 and 6 listed above.
2. Ensure that module RS-485 "Data" line (module terminal pin #7) is connected to the Host RS-485 "Data+" line.
3. Ensure that module RS-485 "Data*" line (module terminal pin #8) is connected to the Host RS-485 "Data-" line.
4. If the problem is not corrected after completing the steps above then connect the module by itself to a Host computer as outlined in Chapter 1.0 under "Quick Hook-up". Start the supplied Utility software and please call the factory for further assistance.

• **Module responds with ?1 COMMAND ERROR to every command**

Ensure that characters in the command message are uppercase characters. All commands consist of uppercase characters only.

• **Characters in each response message appear as graphics characters**

- 1 Set the communications software parity setting to "M" for 'MARK' parity type and 7 data bits. Or, utilize any parity type in both the module and software other than "NO" parity.
- 2 In custom written software routines, mask off the most significant bit of each received character to logic "0". Thus forcing the received character to 7-bit ASCII value.

Chapter 9 Calibration

D3000M units feature state-of-the art digital trimming techniques to eliminate the need for calibration pots or other hardware trims. Calibration is performed with trim commands through the communications port. The on-board microprocessor is used to calculate calibration constants which are then stored in the nonvolatile EEPROM. Field calibration of the units may be performed without the need to physically access the device.

Digital calibration is made possible by reserving a small portion of the DAC scale for trim purposes. The DAC hardware is capable of producing outputs in excess of the full scale range normally accessed by the Analog Output (AO) command. This may be demonstrated by using the Hex Output (HX) command, which controls the DAC directly without trims. For example, a D3181M module has a nominal output of 0 to 10V. The absolute maximum output of the DAC may be obtained with the HX command:

Command: **\$1HX0FFF**
Response: *

A measurement of the output signal would typically read about +10.2 volts. This shows that 0.2 volts is the excess DAC range available for trimming. Typically about 2% of the DAC range is reserved for trim purposes.

The only equipment necessary for calibration is a suitable voltmeter or ammeter (0.02% accurate) to monitor the output signal and a terminal or computer to communicate to the device.

Calibration is performed by comparing the ideal desired output to the actual measured output. The ideal output is set by using the Analog Output (AO) command. After the actual output value is measured with a calibrated meter, the actual value is communicated to the module with the Trim MiNimum (TMN) or Trim MaXimum (TMX) commands. The TMN command trims the - full scale output; TMX trims + full scale. After receiving a TMN or TMX command, the module compares the AO data to the actual output value and computes a new calibration factor to reduce the error to zero.

The actual data specified by the TMN and TMX command must be presented in standard 7-digit format, in units of millivolts or milliamps:

\$1TMX+10012.00 (10.012V)

\$1TMX+00020.05 (20.05mA)

\$1TMN-04990.00 (-4.99V)

\$1TMN+00000.02 (+.02mA)

Trim resolution is 1LSB of the DAC which is full scale ÷ 4096.

Calibration Procedure-Voltage units

- 1) Connect voltmeter to analog output
- 2) Set the output to -full scale with Analog Output (AO) command.
- 3) Measure the output voltage.
- 4) Report the actual output value to the module with the Trim MiNimum (TMN) command. The module will adjust the output to a new value.
- 5) Check the output value with the meter. If the output is not within 1LSB, repeat step 4.
- 6) Set the output to + full scale with the Analog Output (AO) command.
- 7) Measure the output voltage.
- 8) Report the actual output voltage to the module with the Trim MaXimum (TMX) command. The module will adjust the output value.
- 9) Check the output value with the meter. If the output is not within 1LSB, repeat step 8.

To further illustrate the calibration procedure, here is a typical sequence used to calibrate a D3181M which has an output of 0 to 10V:

Set the output to - full scale:

Command: \$1AO +00000.00
Response: *

Measure the output voltage. In this case, the measured output is -12 millivolts. Report the actual value to the module with the TMN command:

Command: \$1 WE
Response: *

Command: \$1TMN-00012.00
Response: *

Measure the output value with the meter. The output measures +1mV, which is within 1LSB (2.5mV).

Now set the output to + full scale:

Command: \$1AO+10000.00
Response: *

The measured output is +10.123V. Report the measured output to the module with the Trim Maximum (TMX) command:

Command: \$1WE
Response: *
Command: \$1TMX+10123.00
Response: *

The output now measures +10.005V, which is still not within specification. Repeat the TMX command with the new value:

Command: \$1WE
Response: *
Command: \$1TMX+10005.00
Response: *

The output now measures 9.999V, which is within 1LSB (2.5mV).

Current Output Calibration

Modules with current outputs are trimmed in exactly the same manner as voltage outputs with one exception. Since the current outputs are unipolar and cannot sink current, errors will result if an attempt is made to calibrate the - full scale output at 0mA. On 0-20mA units, - full scale trim should be performed at some small positive value such as 0.5mA. This is done by simply using the AO command to output the desired trim point:

Command: \$1AO+00000.50 (0.5mA)
Response: *

Assume that in this case the actual output is measured to be +0.63mA. Use the TMN command to report the actual output to the module:

Command: \$1WE
Response: *
Command: \$1TMN+00000.63 (actual=0.63mA)
Response: *

The microprocessor will calculate a trim value to force the output to the ideal output of 0.5mA.

Appendix A ASCII TABLE

Table of ASCII characters (A) and their equivalent values in Decimal (D), Hexadecimal (Hex), and Binary. Claret (^) represents Control function.

A	D	Hex	Binary	D	Hex	Binary
^@	0	00	00000000	128	80	10000000
^A	1	01	00000001	129	81	10000001
^B	2	02	00000010	130	82	10000010
^C	3	03	00000011	131	83	10000011
^D	4	04	00000100	132	84	10000100
^E	5	05	00000101	133	85	10000101
^F	6	06	00000110	134	86	10000110
^G	7	07	00000111	135	87	10000111
^H	8	08	00001000	136	88	10001000
^I	9	09	00001001	137	89	10001001
^J	10	0A	00001010	138	8A	10001010
^K	11	0B	00001011	139	8B	10001011
^L	12	0C	00001100	140	8C	10001100
^M	13	0D	00001101	141	8D	10001101
^N	14	0E	00001110	142	8E	10001110
^O	15	0F	00001111	143	8F	10001111
^P	16	10	00010000	144	90	10010000
^Q	17	11	00010001	145	91	10010001
^R	18	12	00010010	146	92	10010010
^S	19	13	00010011	147	93	10010011
^T	20	14	00010100	148	94	10010100
^U	21	15	00010101	149	95	10010101
^V	22	16	00010110	150	96	10010110
^W	23	17	00010111	151	97	10010111
^X	24	18	00011000	152	98	10011000
^Y	25	19	00011001	153	99	10011001
^Z	26	1A	00011010	154	9A	10011010
^[27	1B	00011011	155	9B	10011011
^\	28	1C	00011100	156	9C	10011100
]]	29	1D	00011101	157	9D	10011101
^^	30	1E	00011110	158	9E	10011110
^_	31	1F	00011111	159	9F	10011111
	32	20	00100000	160	A0	10100000
!	33	21	00100001	161	A1	10100001
"	34	22	00100010	162	A2	10100010

ASCII TABLE A-2

A	D	Hex	Binary	D	Hex	Binary
#	35	23	00100011	163	A3	10100011
\$	36	24	00100100	164	A4	10100100
%	37	25	00100101	165	A5	10100101
&	38	26	00100110	166	A6	10100110
'	39	27	00100111	167	A7	10100111
(40	28	00101000	168	A8	10101000
)	41	29	00101001	169	A9	10101001
*	42	2A	00101010	170	AA	10101010
+	43	2B	00101011	171	AB	10101011
,	44	2C	00101100	172	AC	10101100
-	45	2D	00101101	173	AD	10101101
.	46	2E	00101110	174	AE	10101110
/	47	2F	00101111	175	AF	10101111
0	48	30	00110000	176	B0	10110000
1	49	31	00110001	177	B1	10110001
2	50	32	00110010	178	B2	10110010
3	51	33	00110011	179	B3	10110011
4	52	34	00110100	180	B4	10110100
5	53	35	00110101	181	B5	10110101
6	54	36	00110110	182	B6	10110110
7	55	37	00110111	183	B7	10110111
8	56	38	00111000	184	B8	10111000
9	57	39	00111001	185	B9	10111001
:	58	3A	00111010	186	BA	10111010
;	59	3B	00111011	187	BB	10111011
<	60	3C	00111100	188	BC	10111100
=	61	3D	00111101	189	BD	10111101
>	62	3E	00111110	190	BE	10111110
?	63	3F	00111111	191	BF	10111111
@	64	40	01000000	192	C0	11000000
A	65	41	01000001	193	C1	11000001
B	66	42	01000010	194	C2	11000010
C	67	43	01000011	195	C3	11000011
D	68	44	01000100	196	C4	11000100
E	69	45	01000101	197	C5	11000101
F	70	46	01000110	198	C6	11000110
G	71	47	01000111	199	C7	11000111
H	72	48	01001000	200	C8	11001000
I	73	49	01001001	201	C9	11001001
J	74	4A	01001010	202	CA	11001010
K	75	4B	01001011	203	CB	11001011

ASCII TABLE A-3

A	D	Hex	Binary	D	Hex	Binary
L	76	4C	01001100	204	CC	11001100
M	77	4D	01001101	205	CD	11001101
N	78	4E	01001110	206	CE	11001110
O	79	4F	01001111	207	CF	11001111
P	80	50	01010000	208	D0	11010000
Q	81	51	01010001	209	D1	11010001
R	82	52	01010010	210	D2	11010010
S	83	53	01010011	211	D3	11010011
T	84	54	01010100	212	D4	11010100
U	85	55	01010101	213	D5	11010101
V	86	56	01010110	214	D6	11010110
W	87	57	01010111	215	D7	11010111
X	88	58	01011000	216	D8	11011000
Y	89	59	01011001	217	D9	11011001
Z	90	5A	01011010	218	DA	11011010
[91	5B	01011011	219	DB	11011011
\	92	5C	01011100	220	DC	11011100
]	93	5D	01011101	221	DD	11011101
^	94	5E	01011110	222	DE	11011110
_	95	5F	01011111	223	DF	11011111
`	96	60	01100000	224	E0	11100000
a	97	61	01100001	225	E1	11100001
b	98	62	01100010	226	E2	11100010
c	99	63	01100011	227	E3	11100011
d	100	64	01100100	228	E4	11100100
e	101	65	01100101	229	E5	11100101
f	102	66	01100110	230	E6	11100110
g	103	67	01100111	231	E7	11100111
h	104	68	01101000	232	E8	11101000
i	105	69	01101001	233	E9	11101001
j	106	6A	01101010	234	EA	11101010
k	107	6B	01101011	235	EB	11101011
l	108	6C	01101100	236	EC	11101100
m	109	6D	01101101	237	ED	11101101
n	110	6E	01101110	238	EE	11101110
o	111	6F	01101111	239	EF	11101111
p	112	70	01110000	240	F0	11110000
q	113	71	01110001	241	F1	11110001
r	114	72	01110010	242	F2	11110010
s	115	73	01110011	243	F3	11110011
t	116	74	01110100	244	F4	11110100

ASCII TABLE A-4

A	D	Hex	Binary	D	Hex	Binary
u	117	75	01110101	245	F5	11110101
v	118	76	01110110	246	F6	11110110
w	119	77	01110111	247	F7	11110111
x	120	78	01111000	248	F8	11111000
y	121	79	01111001	249	F9	11111001
z	122	7A	01111010	250	FA	11111010
{	123	7B	01111011	251	FB	11111011
	124	7C	01111100	252	FC	11111100
}	125	7D	01111101	253	FD	11111101
~	126	7E	01111110	254	FE	11111110
	127	7F	01111111	255	FF	11111111

Appendix B

D3000M Specifications

Specifications (@ +25°C and nominal power supply voltage).

Analog Output

- Single channel analog output.
Voltage: 0-1V, $\pm 1V$, 0-5V, $\pm 5V$, 0-10V, $\pm 10V$.
Current: 0-20mA, 4-20mA.
- Output isolation to 500V rms.
- 12-bit output resolution.
- Accuracy (Integral & Differential Nonlinearity): 0.1%FSR (max).
- Zero drift: $\pm 30\mu V/^{\circ}C$ (Voltage Output).
 $\pm 1.0\mu A/^{\circ}C$ (Current Output).
- Span tempco: $\pm 50\text{ppm}/^{\circ}C$ max.
- 1000 conversions per second.
- Settling Time to 0.1%FS 300 μ S typ (1mS max).
- Output Slewing Manual Mode (-FS to +FS): 5S.
- Programmable Output Slew Rate: 0.01V/S (mA/S) to
10,000V/S (mA/S).
- Current Output Voltage Compliance: 12V.
- Voltage Output Drive Current: 5mA max.
- Output Protection: 240VAC (current output).
 $\pm 30V$ (voltage outputs).

Digital

- 8-bit CMOS microcomputer.
- Digital scaling and calibration.
- Nonvolatile memory eliminates pots and switches.
- Programmable High/Low output limits.

Digital Inputs

- Voltage levels: $\pm 30V$ without damage.
- Switching levels: High, 3.5V min., Low, 1.0Vmax.
- Internal pull up resistors for direct switch input.

Communications

- Communications in ASCII via RS-232C, RS-485 ports.
- Selectable baud rates: 300, 600, 1200, 2400, 4800, 9600, 19200, 38400, 57600, 115200.
- NRZ asynchronous data format; 1 start bit, 7 data bits, 1 parity bit and 1 stop bit.
- Parity: odd, even, none.
- User selectable channel address.
- ASCII format command/response protocol.
- Up to 247 Modbus multidrop modules/host serial port.
- Communications distance up to 4,000 feet (RS-485).
- Can be used with "dumb" terminal.
- All communications setups (address, baud rate, parity) stored in nonvolatile memory using EEPROM.
- Checksum can be added to any command or response.

Power

Requirements: Unregulated +10V to +30Vdc, 0.75W max (Voltage Output), 1.0W max (Current Output).

Internal switching regulator.

Protected against power supply reversals.

Environmental

Temperature Range: Operating -25°C to +70°C.

Storage -25°C to +85°C.

Relative Humidity: 0 to 95% noncondensing.

Mechanical & Dimensions

Case: ABS with captive mounting hardware.

Connectors: Screw terminal barrier plug (supplied).

Replace with Phoenix MSTB 1.5/10 ST 5.08 or equivalent.

NOTE: Spacing for mounting screws = 2.700". Screw threads are 6