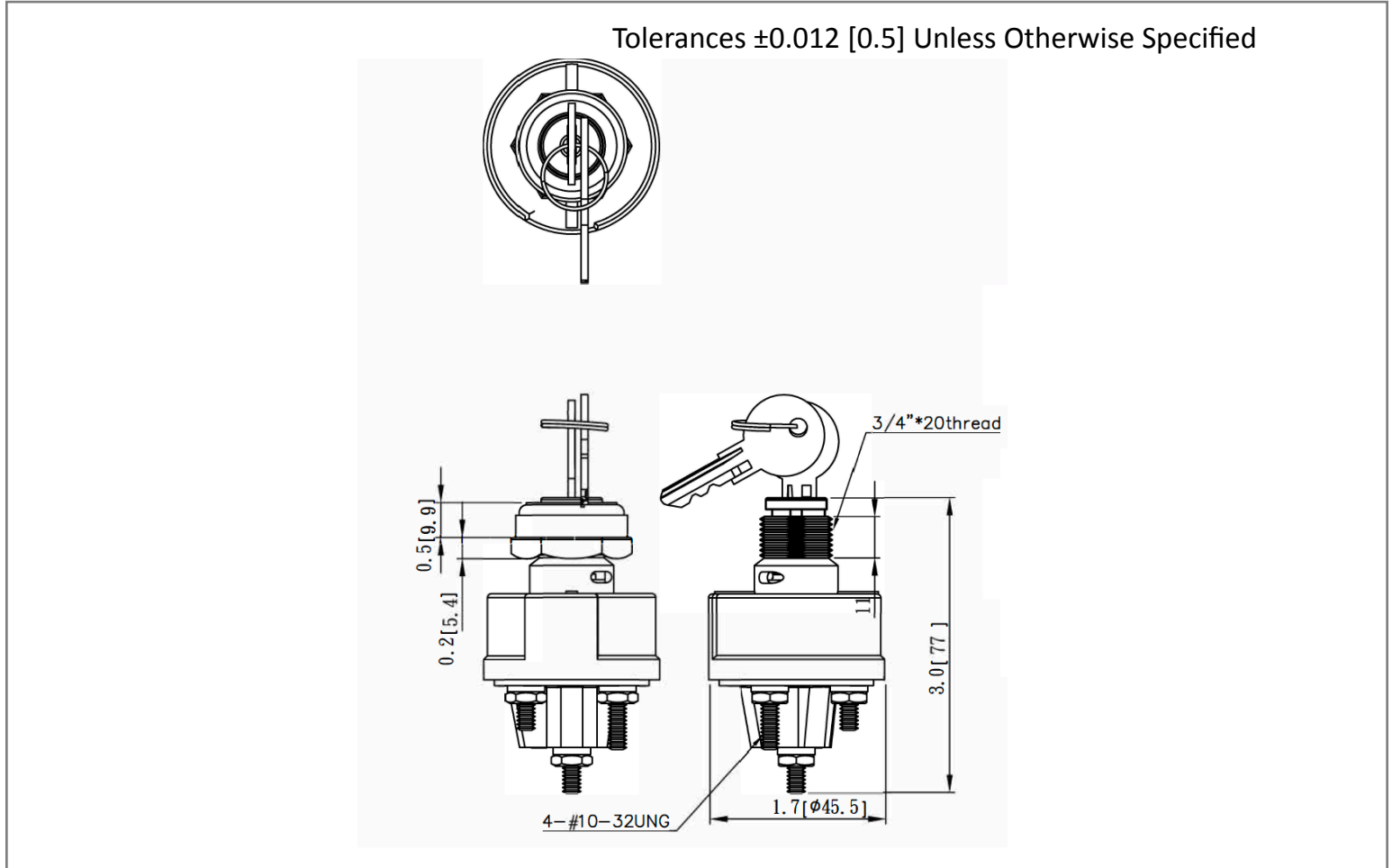
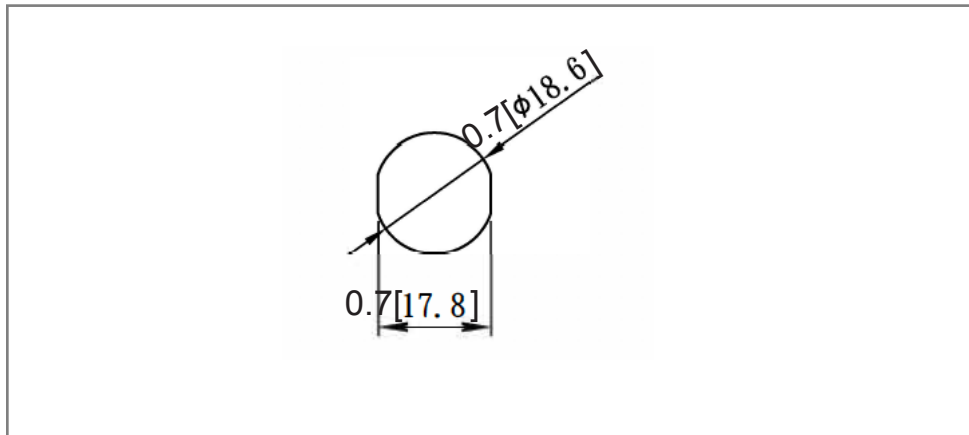


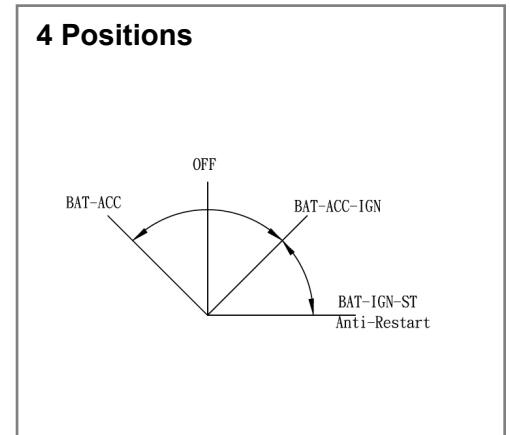
Mechanical Dimensions: Inches [mm]



Mounting Hole



Circuit Diagram



Electrical Specifications

Continuous Rating	30A 12VDC
IGN Terminal Rating	8A 14VDC
ACC Terminal	30A 14VDC
Start	75A Make, 20A Break 14VDC

Material Specifications

Zinc diecast construction
Copper terminals
2 Brass keys

Rev Date of issue Revision Notes

Designed Approved

A	11-12-2019	Initial Drawing	RC	OF
---	------------	-----------------	----	----