

TL7702B, TL7733B, and TL7705B Supply-Voltage Supervisors

1 Features

- Power-On Reset Generator
- Automatic Reset Generation After Voltage Drop
- $\overline{\text{RESET}}$ Output Defined From $V_{\text{CC}} \geq 1 \text{ V}$
- Precision Voltage Sensor
- Temperature-Compensated Voltage Reference
- True and Complement Reset Outputs
- Externally Adjustable Pulse Duration

2 Applications

- [Wireless communication systems](#)
- [Factory automation](#)
- [Building automation](#)
- [Servers](#)
- [Notebooks and Desktop computers](#)
- [STB and DVR](#)

3 Description

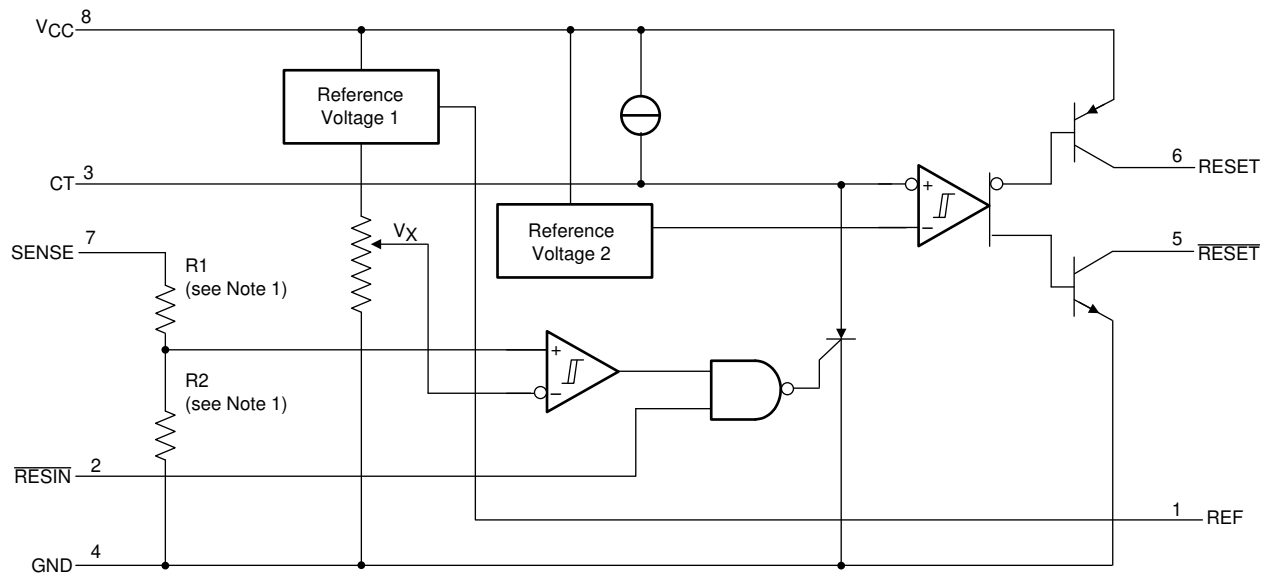
The TL7702B, TL7705B, and TL7733B are integrated-circuit supply-voltage supervisors designed for use as reset controllers in microcomputer and microprocessor systems. The supply-voltage supervisor monitors the supply for undervoltage conditions at the SENSE input. When an undervoltage condition occurs during normal operation, outputs $\overline{\text{RESET}}$ and RESET go active.

The TL7702BC, TL7705BC, and TL7733BC are characterized for operation from 0°C to 70°C . The TL7702BI, TL7705BI, and TL7733BI are characterized for operation from -40°C to 85°C . The TL7705BQ is characterized for operation from -40°C to 125°C .

Device Information (1)

PART NUMBER	PACKAGE	BODY SIZE (NOM)
TL77xxBD	SOIC (8)	4.90 mm × 3.91 mm
TL77xxBP	PDIP (8)	9.81 mm × 6.35 mm

(1) For all available packages, see the orderable addendum at the end of the data sheet.



Copyright © 2016, Texas Instruments Incorporated

Functional Block Diagram



Table of Contents

1 Features	1	8.2 Functional Block Diagram.....	10
2 Applications	1	8.3 Feature Description.....	11
3 Description	1	8.4 Device Functional Modes.....	11
4 Revision History	2	9 Application and Implementation	12
5 Pin Configuration and Functions	3	9.1 Application Information.....	12
Pin Functions.....	3	9.2 Typical Application.....	12
6 Specifications	4	10 Power Supply Recommendations	14
6.1 Absolute Maximum Ratings.....	4	11 Layout	15
6.2 ESD Ratings.....	4	11.1 Layout Guidelines.....	15
6.3 Recommended Operating Conditions.....	4	11.2 Layout Example.....	15
6.4 Thermal Information.....	5	12 Device and Documentation Support	16
6.5 Electrical Characteristics: TL77xxBC, TL77xxBI, and TL7705BQ.....	6	12.1 Related Links.....	16
6.6 Switching Characteristics: TL77xxBC, TL77xxBI, and TL7705BQ.....	6	12.2 Receiving Notification of Documentation Updates..	16
6.7 Timing Diagrams.....	7	12.3 Support Resources.....	16
6.8 Typical Characteristics.....	8	12.4 Trademarks.....	16
7 Parameter Measurement Information	9	12.5 Electrostatic Discharge Caution.....	16
8 Detailed Description	10	12.6 Glossary.....	16
8.1 Overview.....	10	13 Mechanical, Packaging, and Orderable Information	16

4 Revision History

Changes from Revision N (September 2016) to Revision O (December 2020)	Page
• Updated the numbering format for tables, figures, and cross-references throughout the document.....	1
• Corrected the $\overline{\text{RESIN}}$ pin description.....	3
• Corrected the I_{CC} parameter units from μA to mA in Electrical Characteristics Table.....	6

Changes from Revision M (May 2003) to Revision N (September 2016)	Page
• Added <i>ESD Ratings</i> table, <i>Feature Description</i> section, <i>Device Functional Modes, Application and Implementation</i> section, <i>Power Supply Recommendations</i> section, <i>Layout</i> section, <i>Device and Documentation Support</i> section, and <i>Mechanical, Packaging, and Orderable Information</i> section.....	1
• Deleted <i>Ordering Information</i> table; see POA at the end of the data sheet.....	1
• Deleted Lead temperature row.....	4
• Changed $R_{\theta\text{JA}}$ for D (SOIC) from 97 to 109.2 and for P (PDIP) from 85 to 51.4.....	5

5 Pin Configuration and Functions

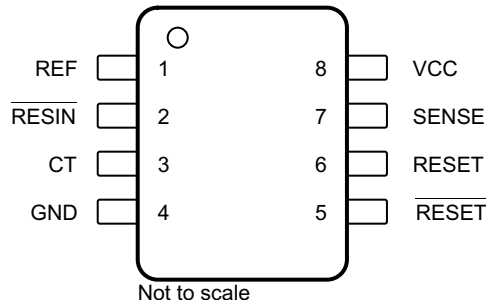


Figure 5-1. D or P Package 8-Pin SOIC or PDIP Top View

Pin Functions

PIN		I/O	DESCRIPTION
NAME	NO.		
CT	3	O	Timing capacitor input. The timing capacitor determines the time delay that the reset outputs remain active after the voltage at the SENSE input exceeds the positive-going threshold value.
GND	4	—	Ground
REF	1	O	Reference voltage. See Section 6.5 for reference voltage output and specification.
RESET	6	O	Active high reset. See Figure 6-1 for RESET function and timing.
$\overline{\text{RESET}}$	5	O	Active low reset. See Figure 6-1 for $\overline{\text{RESET}}$ function and timing.
$\overline{\text{RESIN}}$	2	I	Reset input. When the Reset Input is low, the RESET output goes high and the $\overline{\text{RESET}}$ goes low. When the Reset Input is high, the RESET and $\overline{\text{RESET}}$ outputs are allowed to trigger based on the SENSE voltage.
SENSE	7	I	Sense input. Voltage input to be supervised. See Figure 6-1 for SENSE function and timing.
VCC	8	—	Supply voltage. See Section 6.3 for recommended voltage input range.

6 Specifications

6.1 Absolute Maximum Ratings

over operating free-air temperature range (unless otherwise noted)⁽¹⁾

		MIN	MAX	UNIT
Supply voltage ⁽²⁾ , V_{CC}			20	V
Input voltage, V_I	RESIN	-0.3	20	V
	SENSE	-0.3	20	
High-level output current, I_{OH} (RESET)			-30	mA
Low-level output current, I_{OL} (RESET)			30	mA
Operating virtual junction temperature, T_J			150	°C
Storage temperature, T_{stg}		-65	150	°C

(1) Stresses beyond those listed under *Absolute Maximum Ratings* may cause permanent damage to the device. These are stress ratings only, which do not imply functional operation of the device at these or any other conditions beyond those indicated under *Recommended Operating Conditions*. Exposure to absolute-maximum-rated conditions for extended periods may affect device reliability.

(2) All voltage values are with respect to the network ground terminal.

6.2 ESD Ratings

		VALUE	UNIT
$V_{(ESD)}$ Electrostatic discharge	Human-body model (HBM), per ANSI/ESDA/JEDEC JS-001 ⁽¹⁾	2000	V
	Charged-device model (CDM), per JEDEC specification JESD22-C101 ⁽²⁾	1000	

(1) JEDEC document JEP155 states that 500-V HBM allows safe manufacturing with a standard ESD control process.

(2) JEDEC document JEP157 states that 250-V CDM allows safe manufacturing with a standard ESD control process.

6.3 Recommended Operating Conditions

over operating free-air temperature range (unless otherwise noted)

		MIN	MAX	UNIT	
V_{CC}	Supply voltage	3.6	18	V	
V_{IH}	High-level input voltage	RESIN	2	18	V
V_{IL}	Low-level input voltage	RESIN	0	0.8	V
V_I	Input voltage	SENSE	0	18	V
I_{OH}	High-level output current	RESET	-20	mA	
I_{OL}	Low-level output current	RESET	20	mA	
T_A	Operating free-air temperature	TL77xxBC	0	70	°C
		TL77xxBI	-40	85	
		TL7705BQ	-40	125	

6.4 Thermal Information

THERMAL METRIC ^{(1) (2)}		TL77xxB		UNIT
		D (SOIC)	P (PDIP)	
		8 PINS	8 PINS	
R _{θJA}	Junction-to-ambient thermal resistance	109.2	51.4	°C/W
R _{θJC(top)}	Junction-to-case (top) thermal resistance	56	40.6	°C/W
R _{θJB}	Junction-to-board thermal resistance	49.9	28.6	°C/W
ψ _{JT}	Junction-to-top characterization parameter	11.4	17.7	°C/W
ψ _{JB}	Junction-to-board characterization parameter	49.4	28.5	°C/W

- (1) For more information about traditional and new thermal metrics, see the [Semiconductor and IC Package Thermal Metrics](#) application report.
- (2) Maximum power dissipation is a function of T_{J(max)}, R_{θJA}, and T_A. The maximum allowable power dissipation at any allowable ambient temperature is P_D = (T_{J(max)} – T_A) / R_{θJA}. Operating at the absolute maximum T_J of 150°C can affect reliability.

6.5 Electrical Characteristics: TL77xxBC, TL77xxBI, and TL7705BQ

over operating free-air temperature range (unless otherwise noted)⁽¹⁾

PARAMETER		TEST CONDITIONS	MIN	TYP	MAX	UNIT	
V _{OH}	High-level output voltage, RESET	I _{OH} = –16 mA	V _{CC} – 1.5			V	
V _{OL}	Low-level output voltage, RESET	I _{OL} = 16 mA	0.4			V	
V _{REF}	Reference voltage, REF	I _{ref} = –500 μA, T _A = 25°C	2.48	2.53	2.58	V	
V _{IT–}	Negative-going input threshold voltage at SENSE input	TL7702B	T _A = 25°C	2.505	2.53	2.555	V
		TL7705B		4.5	4.55	4.6	
		TL7733B		3.03	3.08	3.13	
		TL7702B	T _A = full range ⁽²⁾	2.48	2.53	2.58	
		TL7705B		4.45	4.55	4.65	
		TL7733B		3	3.08	3.16	
V _{HYS}	Hysteresis, SENSE (V _{IT+} – V _{IT–})	TL7702B	V _{CC} = 3.6 V to 18 V, T _A = 25°C			10	mV
		TL7705B				30	
		TL7733B				10	
V _{RES}	Power-up reset voltage ⁽³⁾	I _{OL} at RESET = 2 mA, T _A = 25°C				1	V
I _I	Input current	RESIN	V _I = 0.4 V to V _{CC}			–10	μA
		SENSE, TL7702B	V _I = V _{REF} to 18 V			–0.1	
I _{OH}	High-level output current, RESET	V _O = 18 V, see Figure 7-1				50	μA
I _{OL}	Low-level output current, RESET	V _O = 0 V, see Figure 7-1				–50	μA
I _{CC}	Supply current	V _{SENSE} = 15 V, RESIN ≥ 2 V			1.8	3	mA
		V _{CC} = 18 V, T _A = full range ⁽²⁾			3.5		

(1) All electrical characteristics are measured with 0.1-μF capacitors connected at REF, CT, and VCC to GND.

(2) Full range is 0°C to 70°C for the C-suffix devices, –40°C to 85°C for the I-suffix devices, and –40°C to 125°C for the Q-suffix device.

(3) This is the lowest voltage at which RESET becomes active.

6.6 Switching Characteristics: TL77xxBC, TL77xxBI, and TL7705BQ

V_{CC} = 5 V, C_T open, T_A = 25°C, over operating free-air temperature range (unless otherwise noted)

PARAMETER	FROM (INPUT)	TO (OUTPUT)	TEST CONDITIONS	MIN	TYP	MAX	UNIT
t _{PLH}	Propagatation delay time from low-level to high-level output	RESIN	RESET	See , Figure 6-1 Figure 6-2, Figure 7-1	270	500	ns
t _{PHL}	Propagatation delay time from high-level to low-level output	RESIN	RESET	See Figure 6-1, Figure 6-2, Figure 7-2	270	500	ns
t _w	Effective pulse duration	RESIN		See Figure 7-3, Figure 7-4	150		ns
		SENSE			100		
t _r	Rise time		RESET	See Figure 6-1, Figure 7-1, Figure 7-2		75	ns
			RESET		75	150	
t _f	Fall time		RESET	See Figure 6-1, Figure 7-1, Figure 7-2	150	200	ns
			RESET			50	

6.7 Timing Diagrams

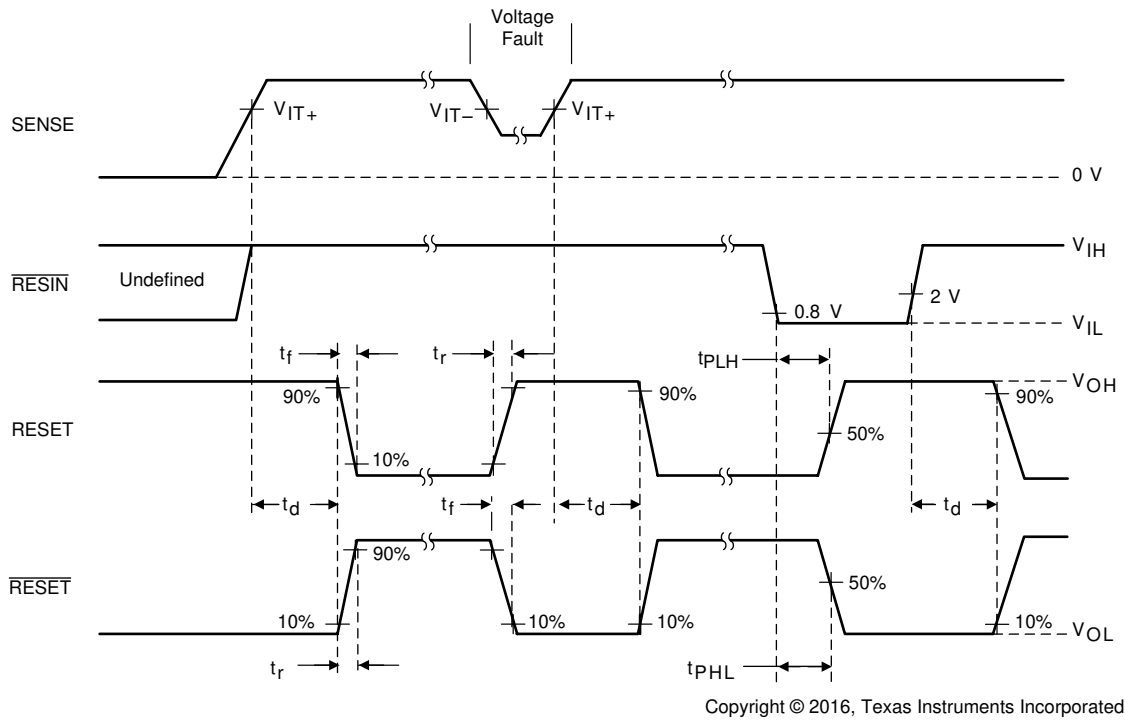


Figure 6-1. TL7702B, TL7705B, and TL7733B Timing Diagram

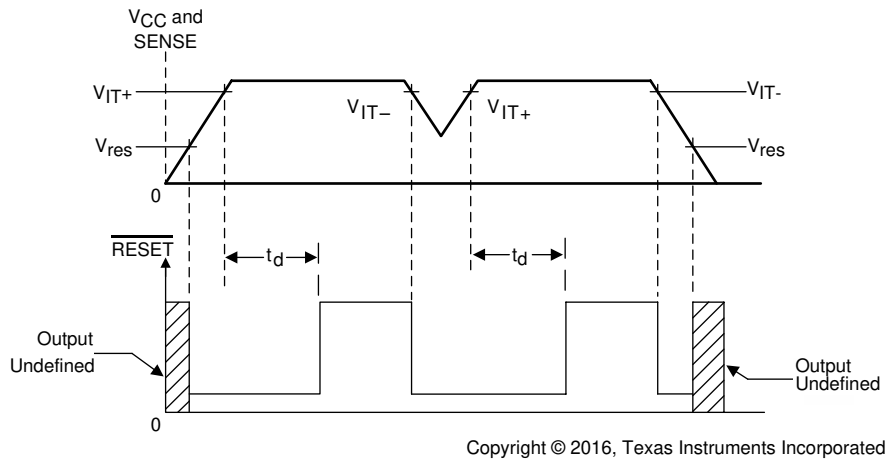


Figure 6-2. V_{IT} and V_{RES} Timing Diagram

6.8 Typical Characteristics

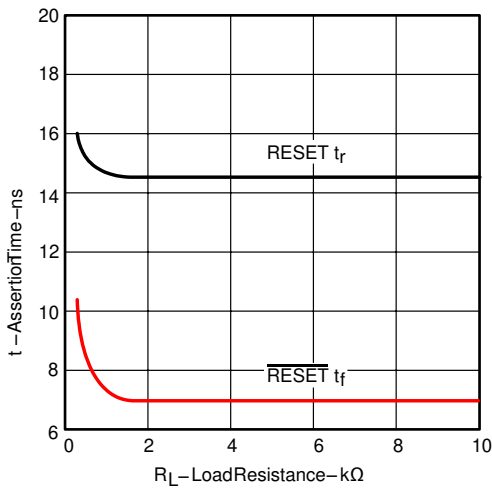


Figure 6-3. Assertion Time vs Load Resistance

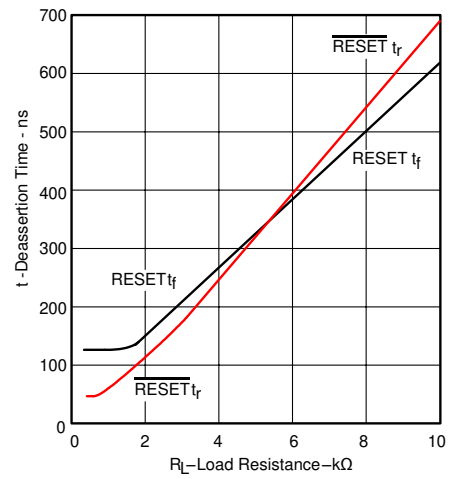


Figure 6-4. Deassertion Time vs Load Resistance

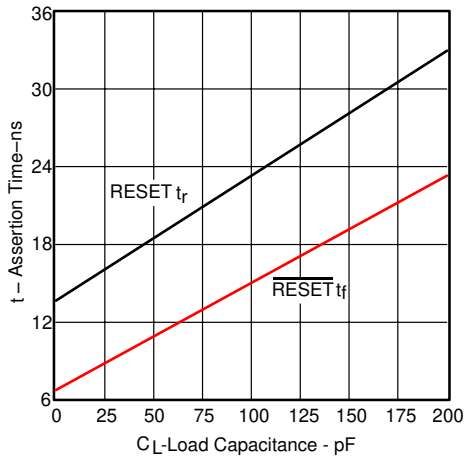


Figure 6-5. Assertion Time vs Load Capacitance

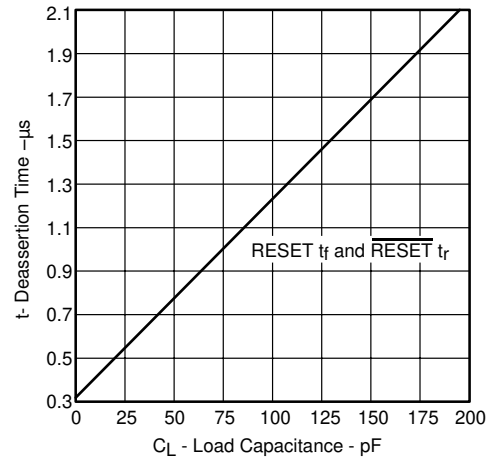
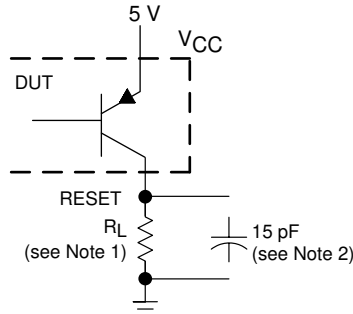


Figure 6-6. Deassertion Time vs Load Capacitance

7 Parameter Measurement Information

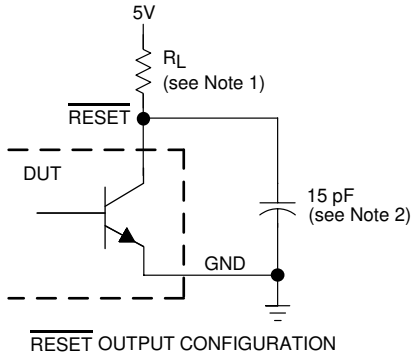


RESET OUTPUT CONFIGURATION

Copyright © 2016, Texas Instruments Incorporated

- A. For I_{OL} and I_{OH} , $R_L = 10\text{ k}\Omega$. For all switching characteristics, $R_L = 511\ \Omega$.
- B. This figure includes jig and probe capacitance.

Figure 7-1. RESET Output Configuration



RESET OUTPUT CONFIGURATION

Copyright © 2016, Texas Instruments Incorporated

- A. For I_{OL} and I_{OH} , $R_L = 10\text{ k}\Omega$. For all switching characteristics, $R_L = 511\ \Omega$.
- B. This figure includes jig and probe capacitance.

Figure 7-2. $\overline{\text{RESET}}$ Output Configuration

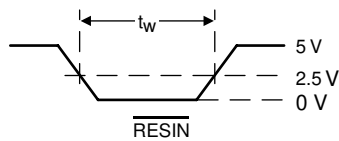


Figure 7-3. Input Pulse Definition RESIN

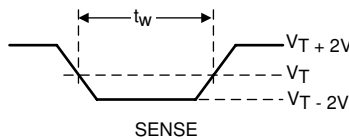


Figure 7-4. Input Pulse Definition SENSE

8 Detailed Description

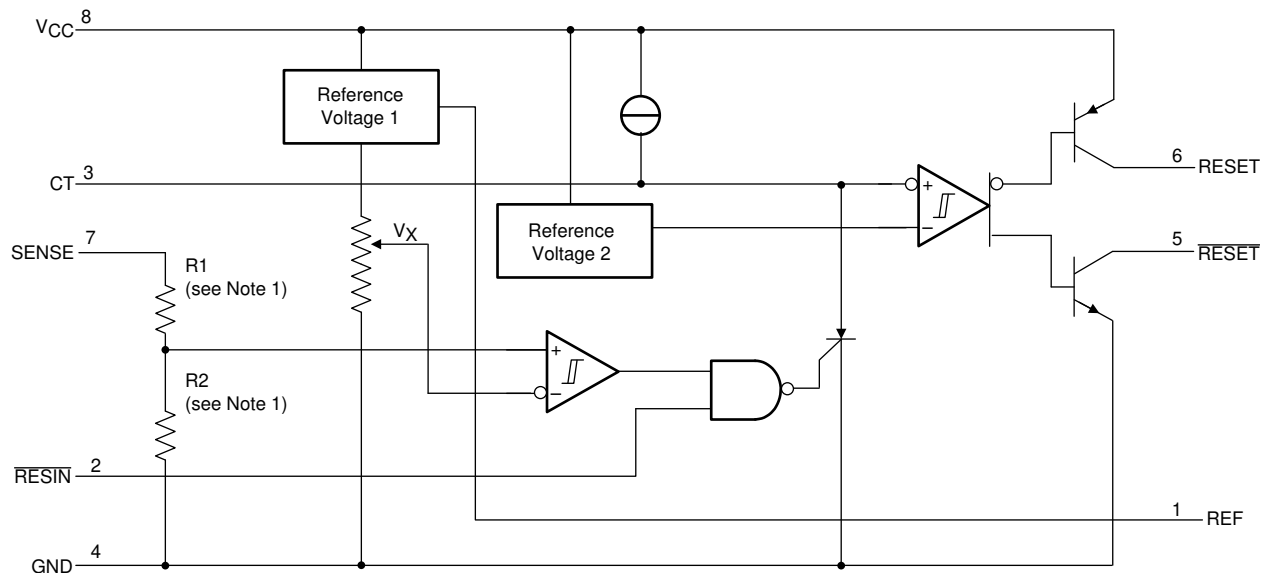
8.1 Overview

The TL7702B, TL7705B, and TL7733B are integrated-circuit supply-voltage supervisors designed for use as reset controllers in microcomputer and microprocessor systems. The supply-voltage supervisor monitors the supply for undervoltage conditions at the SENSE input. During power up, the $\overline{\text{RESET}}$ output becomes active (low) when V_{CC} attains a value approaching 1 V. As V_{CC} approaches 3 V (assuming that SENSE is above V_{T+}), the delay-timer function activates a time delay, after which outputs $\overline{\text{RESET}}$ and RESET go inactive (high and low, respectively). When an undervoltage condition occurs during normal operation, outputs $\overline{\text{RESET}}$ and RESET go active. To ensure that a complete reset occurs, the reset outputs remain active for a time delay after the voltage at the SENSE input exceeds the positive-going threshold value. The time delay is determined by the value of the external capacitor C_T : $t_d \approx 2.6 \times 10^4 \times C_T$, where C_T is in farads (F) and t_d is in seconds (s).

An external capacitor (typically 0.1 μF) must be connected to REF to reduce the influence of fast transients in the supply voltage.

8.2 Functional Block Diagram

The functional block diagram is shown for illustrative purposes only; the actual circuit includes a trimming network to adjust the reference voltage and sense-comparator trip point.



Copyright © 2016, Texas Instruments Incorporated

8.3 Feature Description

8.3.1 Wide Supply-Voltage Range

The TL77xxB family operates using a wide supply voltage from 3.6 V to 18 V.

8.3.2 Adjustable Pulse Duration

The CT pin enables the ability to set a user-defined time delay in order to ensure that the fault condition is recognized. The external capacitor charges based on an internal current source until the voltage at the CT pin exceeds that of the internal reference voltage.

The time delay is determined by the value of the external capacitor C_T : $t_d \approx 2.6 \times 10^4 \times C_T$, where C_T is in farads (F) and t_d is in seconds (s).

The current source to charge the timing capacitor varies $\pm 15\%$. Reference Voltage 2 is approximately 1.8 V and varies approximately $\pm 5\%$. Once the timing capacitor charges, it discharges to about 0.6 V, not completely to 0 V.

8.4 Device Functional Modes

Figure 8-1 displays how the RESET and $\overline{\text{RESET}}$ output pins respond to the change in the the SENSE and $\overline{\text{RESIN}}$ input pins. When the $\overline{\text{RESIN}}$ pin is high, the RESET outputs are able to respond to a drop in the supply voltage at the SENSE pin. When the RESIN pin is low, the RESET and $\overline{\text{RESET}}$ pins are set HIGH and LOW respectively.

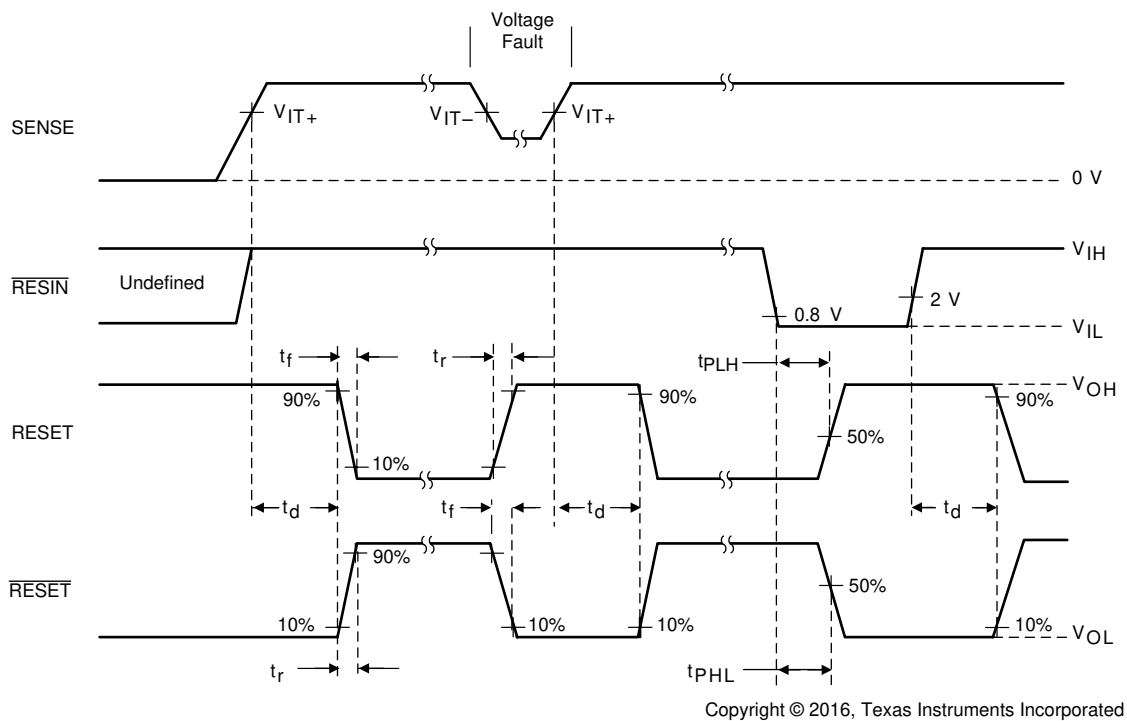


Figure 8-1. TL77xxB RESET and $\overline{\text{RESET}}$ Response and Timing

9 Application and Implementation

Note

Information in the following applications sections is not part of the TI component specification, and TI does not warrant its accuracy or completeness. TI's customers are responsible for determining suitability of components for their purposes, as well as validating and testing their design implementation to confirm system functionality.

9.1 Application Information

Figure 9-1 shows an application where the TL7705B device is being used to sense the voltage supply for a microcontroller that is supplied with 5 V. If the voltage supply drops below the threshold voltage, the $\overline{\text{RESET}}$ pin is pulled LOW, signaling the microcontroller to reset.

9.2 Typical Application

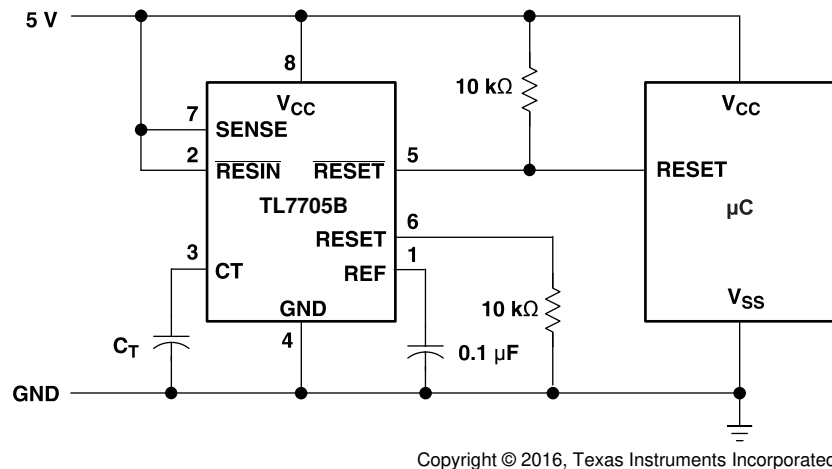


Figure 9-1. Reset Controller Schematic for a Microprocessor

9.2.1 Design Requirements

The external components required include the decoupling capacitor for the REF pin and the timing capacitor for the CT pin. Additionally, because the $\overline{\text{RESET}}$ output is open collector, a pullup resistor is required to ensure the correct HIGH level for the microcontroller RESET pin.

9.2.2 Detailed Design Procedure

TI recommends pullup and pulldown resistors of 10 kΩ.

To achieve a 2.6 ms time delay, use $C_T = 0.1 \mu\text{F}$.

Both outputs of the TL770xB must be terminated with similar value resistors, even when only one is being used. This prevents unwanted plateauing in either output waveform during switching, which may be interpreted as an undefined state or delay system reset

9.2.3 Application Curve

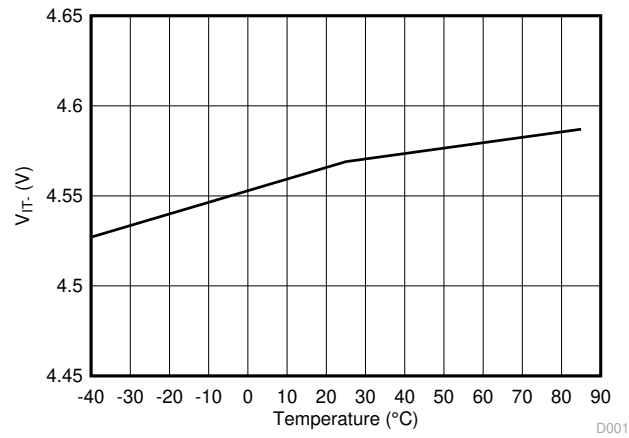
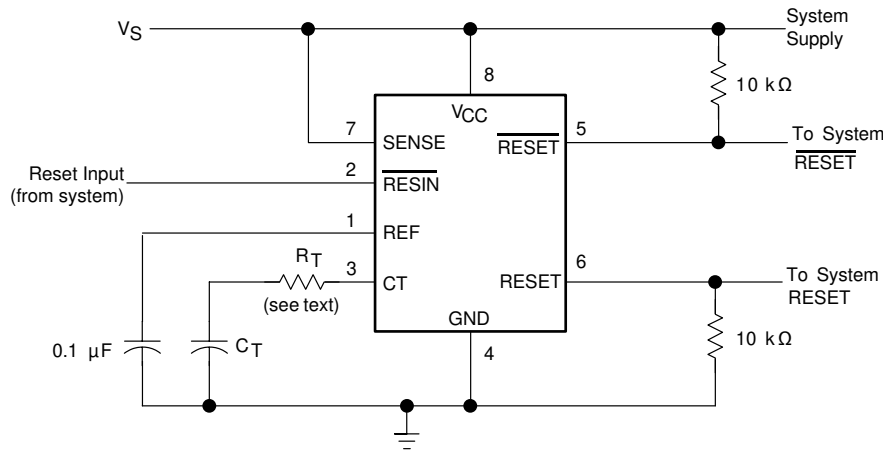


Figure 9-2. TL7705B Threshold Voltage vs Temperature

10 Power Supply Recommendations



Copyright © 2016, Texas Instruments Incorporated

Figure 10-1. System Reset Controller With Undervoltage Sensing

When the TL770xB SENSE terminal is used to monitor V_{CC} , TI recommends a current-limiting resistor in series with C_T . During normal operation, the timing capacitor is charged by the onboard current source to approximately V_{CC} or an internal voltage clamp (≈ 7.1 -V Zener), whichever is less. When the circuit then is subjected to an undervoltage condition during which V_{CC} is rapidly slewed down, the voltage on C_T exceeds that on V_{CC} . This forward biases a secondary path internally, which falsely activates the outputs. A fault is indicated when V_{CC} drops below $V_{(CT)}$, not when V_{SENSE} falls below V_{T-} .

Adding the external resistor, R_T , prevents false triggering. Its value is calculated as follows:

$$(V_{(CT)} - V_{T-}) / R_T \tag{1}$$

where

- $V_{(CT)} = V_{CC}$ or 7.1 V, whichever is less
- $V_{T-} = 4.55$ V (nom)
- R_T = value of series resistor required

For $V_{CC} = 5$ V

$$(5 - 4.55) / R_T < 1 \text{ mA} \tag{2}$$

Therefore,

$$R_T > 450 \ \Omega \tag{3}$$

Using a 20%-tolerance resistor, R_T should be greater than 560 Ω .

Adding this series resistor changes the duration of the reset pulse by no more than 10%. R_T extends the discharge of C_T , but also skews the $V_{(CT)}$ threshold. These effects tend to cancel one another. The precise percentage change can be derived theoretically, but the equation is complicated by this interaction and is dependent upon the duration of the supply-voltage fault condition.

Both outputs of the TL770xB must be terminated with similar value resistors, even when only one is being used. This prevents unwanted plateauing in either output waveform during switching, which may be interpreted as an undefined state or delay system reset.

11 Layout

11.1 Layout Guidelines

Figure 11-1 shows an example layout for the TL7705B device. As the $\overline{\text{RESET}}$ and RESET pins are open collector outputs, place pullup and pulldown resistors on the $\overline{\text{RESET}}$ and RESET pins respectively. A capacitor must be placed on the REF pin to stabilize the reference. This can help to prevent false triggering if noise couples into the reference.

11.2 Layout Example

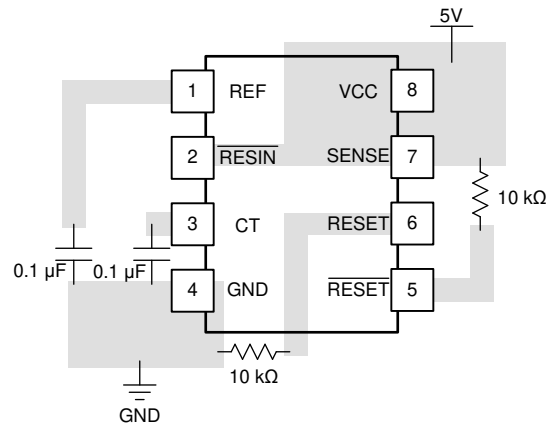


Figure 11-1. TL7705B Layout Example

12 Device and Documentation Support

12.1 Related Links

The table below lists quick access links. Categories include technical documents, support and community resources, tools and software, and quick access to sample or buy.

Table 12-1. Related Links

PARTS	PRODUCT FOLDER	SAMPLE & BUY	TECHNICAL DOCUMENTS	TOOLS & SOFTWARE	SUPPORT & COMMUNITY
TL7702B	Click here	Click here	Click here	Click here	Click here
TL7705B	Click here	Click here	Click here	Click here	Click here
TL7733B	Click here	Click here	Click here	Click here	Click here

12.2 Receiving Notification of Documentation Updates

To receive notification of documentation updates, navigate to the device product folder on ti.com. Click on *Subscribe to updates* to register and receive a weekly digest of any product information that has changed. For change details, review the revision history included in any revised document.

12.3 Support Resources

[TI E2E™ support forums](#) are an engineer's go-to source for fast, verified answers and design help — straight from the experts. Search existing answers or ask your own question to get the quick design help you need.

Linked content is provided "AS IS" by the respective contributors. They do not constitute TI specifications and do not necessarily reflect TI's views; see TI's [Terms of Use](#).

12.4 Trademarks

TI E2E™ is a trademark of Texas Instruments.

All trademarks are the property of their respective owners.

12.5 Electrostatic Discharge Caution



This integrated circuit can be damaged by ESD. Texas Instruments recommends that all integrated circuits be handled with appropriate precautions. Failure to observe proper handling and installation procedures can cause damage.

ESD damage can range from subtle performance degradation to complete device failure. Precision integrated circuits may be more susceptible to damage because very small parametric changes could cause the device not to meet its published specifications.

12.6 Glossary

[TI Glossary](#) This glossary lists and explains terms, acronyms, and definitions.

13 Mechanical, Packaging, and Orderable Information

The following pages include mechanical, packaging, and orderable information. This information is the most current data available for the designated devices. This data is subject to change without notice and revision of this document. For browser-based versions of this data sheet, refer to the left-hand navigation.

PACKAGING INFORMATION

Orderable Device	Status (1)	Package Type	Package Drawing	Pins	Package Qty	Eco Plan (2)	Lead finish/ Ball material (6)	MSL Peak Temp (3)	Op Temp (°C)	Device Marking (4/5)	Samples
TL7702BCD	ACTIVE	SOIC	D	8	75	RoHS & Green	NIPDAU	Level-1-260C-UNLIM	0 to 70	7702BC	Samples
TL7702BCDR	ACTIVE	SOIC	D	8	2500	RoHS & Green	NIPDAU	Level-1-260C-UNLIM	0 to 70	7702BC	Samples
TL7702BCDRE4	ACTIVE	SOIC	D	8	2500	RoHS & Green	NIPDAU	Level-1-260C-UNLIM	0 to 70	7702BC	Samples
TL7702BCDRG4	ACTIVE	SOIC	D	8	2500	RoHS & Green	NIPDAU	Level-1-260C-UNLIM	0 to 70	7702BC	Samples
TL7702BCP	ACTIVE	PDIP	P	8	50	RoHS & Green	NIPDAU	N / A for Pkg Type	0 to 70	TL7702BCP	Samples
TL7702BID	ACTIVE	SOIC	D	8	75	RoHS & Green	NIPDAU	Level-1-260C-UNLIM	-40 to 85	7702BI	Samples
TL7702BIDR	ACTIVE	SOIC	D	8	2500	RoHS & Green	NIPDAU	Level-1-260C-UNLIM	-40 to 85	7702BI	Samples
TL7702BIP	ACTIVE	PDIP	P	8	50	RoHS & Green	NIPDAU	N / A for Pkg Type	-40 to 85	TL7702BIP	Samples
TL7705BCD	ACTIVE	SOIC	D	8	75	RoHS & Green	NIPDAU	Level-2-260C-1 YEAR	0 to 70	7705BC	Samples
TL7705BCDR	ACTIVE	SOIC	D	8	2500	RoHS & Green	NIPDAU	Level-2-260C-1 YEAR	0 to 70	7705BC	Samples
TL7705BCDRE4	ACTIVE	SOIC	D	8	2500	RoHS & Green	NIPDAU	Level-2-260C-1 YEAR	0 to 70	7705BC	Samples
TL7705BCDRG4	ACTIVE	SOIC	D	8	2500	RoHS & Green	NIPDAU	Level-2-260C-1 YEAR	0 to 70	7705BC	Samples
TL7705BCP	ACTIVE	PDIP	P	8	50	RoHS & Green	NIPDAU	N / A for Pkg Type	0 to 70	TL7705BCP	Samples
TL7705BID	ACTIVE	SOIC	D	8	75	RoHS & Green	NIPDAU	Level-2-260C-1 YEAR	-40 to 85	7705BI	Samples
TL7705BIDE4	ACTIVE	SOIC	D	8	75	RoHS & Green	NIPDAU	Level-2-260C-1 YEAR	-40 to 85	7705BI	Samples
TL7705BIDR	ACTIVE	SOIC	D	8	2500	RoHS & Green	NIPDAU	Level-2-260C-1 YEAR	-40 to 85	7705BI	Samples
TL7705BIP	ACTIVE	PDIP	P	8	50	RoHS & Green	NIPDAU	N / A for Pkg Type	-40 to 85	TL7705BIP	Samples
TL7705BQD	ACTIVE	SOIC	D	8	75	RoHS & Green	NIPDAU	Level-1-260C-UNLIM	-40 to 125	7705BQ	Samples
TL7705BQDG4	ACTIVE	SOIC	D	8	75	RoHS & Green	NIPDAU	Level-1-260C-UNLIM	-40 to 125	7705BQ	Samples
TL7705BQDR	ACTIVE	SOIC	D	8	2500	RoHS & Green	NIPDAU	Level-1-260C-UNLIM	-40 to 125	7705BQ	Samples

Orderable Device	Status (1)	Package Type	Package Drawing	Pins	Package Qty	Eco Plan (2)	Lead finish/ Ball material (6)	MSL Peak Temp (3)	Op Temp (°C)	Device Marking (4/5)	Samples
TL7705BQDRG4	ACTIVE	SOIC	D	8	2500	RoHS & Green	NIPDAU	Level-1-260C-UNLIM	-40 to 125	7705BQ	Samples
TL7733BCD	ACTIVE	SOIC	D	8	75	RoHS & Green	NIPDAU	Level-1-260C-UNLIM	0 to 70	7733BC	Samples
TL7733BCDE4	ACTIVE	SOIC	D	8	75	RoHS & Green	NIPDAU	Level-1-260C-UNLIM	0 to 70	7733BC	Samples
TL7733BCDG4	ACTIVE	SOIC	D	8	75	RoHS & Green	NIPDAU	Level-1-260C-UNLIM	0 to 70	7733BC	Samples
TL7733BCDR	ACTIVE	SOIC	D	8	2500	RoHS & Green	NIPDAU	Level-1-260C-UNLIM	0 to 70	7733BC	Samples
TL7733BCDRE4	ACTIVE	SOIC	D	8	2500	RoHS & Green	NIPDAU	Level-1-260C-UNLIM	0 to 70	7733BC	Samples
TL7733BCP	ACTIVE	PDIP	P	8	50	RoHS & Green	NIPDAU	N / A for Pkg Type	0 to 70	TL7733BCP	Samples
TL7733BID	ACTIVE	SOIC	D	8	75	RoHS & Green	NIPDAU	Level-1-260C-UNLIM	-40 to 85	7733BI	Samples
TL7733BIDG4	ACTIVE	SOIC	D	8	75	RoHS & Green	NIPDAU	Level-1-260C-UNLIM	-40 to 85	7733BI	Samples
TL7733BIDR	ACTIVE	SOIC	D	8	2500	RoHS & Green	NIPDAU	Level-1-260C-UNLIM	-40 to 85	7733BI	Samples

(1) The marketing status values are defined as follows:

ACTIVE: Product device recommended for new designs.

LIFEBUY: TI has announced that the device will be discontinued, and a lifetime-buy period is in effect.

NRND: Not recommended for new designs. Device is in production to support existing customers, but TI does not recommend using this part in a new design.

PREVIEW: Device has been announced but is not in production. Samples may or may not be available.

OBSOLETE: TI has discontinued the production of the device.

(2) **RoHS:** TI defines "RoHS" to mean semiconductor products that are compliant with the current EU RoHS requirements for all 10 RoHS substances, including the requirement that RoHS substance do not exceed 0.1% by weight in homogeneous materials. Where designed to be soldered at high temperatures, "RoHS" products are suitable for use in specified lead-free processes. TI may reference these types of products as "Pb-Free".

RoHS Exempt: TI defines "RoHS Exempt" to mean products that contain lead but are compliant with EU RoHS pursuant to a specific EU RoHS exemption.

Green: TI defines "Green" to mean the content of Chlorine (Cl) and Bromine (Br) based flame retardants meet JS709B low halogen requirements of <=1000ppm threshold. Antimony trioxide based flame retardants must also meet the <=1000ppm threshold requirement.

(3) MSL, Peak Temp. - The Moisture Sensitivity Level rating according to the JEDEC industry standard classifications, and peak solder temperature.

(4) There may be additional marking, which relates to the logo, the lot trace code information, or the environmental category on the device.

⁽⁵⁾ Multiple Device Markings will be inside parentheses. Only one Device Marking contained in parentheses and separated by a "~" will appear on a device. If a line is indented then it is a continuation of the previous line and the two combined represent the entire Device Marking for that device.

⁽⁶⁾ Lead finish/Ball material - Orderable Devices may have multiple material finish options. Finish options are separated by a vertical ruled line. Lead finish/Ball material values may wrap to two lines if the finish value exceeds the maximum column width.

Important Information and Disclaimer:The information provided on this page represents TI's knowledge and belief as of the date that it is provided. TI bases its knowledge and belief on information provided by third parties, and makes no representation or warranty as to the accuracy of such information. Efforts are underway to better integrate information from third parties. TI has taken and continues to take reasonable steps to provide representative and accurate information but may not have conducted destructive testing or chemical analysis on incoming materials and chemicals. TI and TI suppliers consider certain information to be proprietary, and thus CAS numbers and other limited information may not be available for release.

In no event shall TI's liability arising out of such information exceed the total purchase price of the TI part(s) at issue in this document sold by TI to Customer on an annual basis.

TAPE AND REEL INFORMATION

QUADRANT ASSIGNMENTS FOR PIN 1 ORIENTATION IN TAPE


*All dimensions are nominal

Device	Package Type	Package Drawing	Pins	SPQ	Reel Diameter (mm)	Reel Width W1 (mm)	A0 (mm)	B0 (mm)	K0 (mm)	P1 (mm)	W (mm)	Pin1 Quadrant
TL7702BCDR	SOIC	D	8	2500	330.0	12.4	6.4	5.2	2.1	8.0	12.0	Q1
TL7702BIDR	SOIC	D	8	2500	330.0	12.4	6.4	5.2	2.1	8.0	12.0	Q1
TL7705BCDR	SOIC	D	8	2500	330.0	12.4	6.4	5.2	2.1	8.0	12.0	Q1
TL7705BIDR	SOIC	D	8	2500	330.0	12.4	6.4	5.2	2.1	8.0	12.0	Q1
TL7705BQDR	SOIC	D	8	2500	330.0	12.4	6.4	5.2	2.1	8.0	12.0	Q1
TL7705BQDRG4	SOIC	D	8	2500	330.0	12.4	6.4	5.2	2.1	8.0	12.0	Q1
TL7733BCDR	SOIC	D	8	2500	330.0	12.4	6.4	5.2	2.1	8.0	12.0	Q1
TL7733BIDR	SOIC	D	8	2500	330.0	12.4	6.4	5.2	2.1	8.0	12.0	Q1

TAPE AND REEL BOX DIMENSIONS


*All dimensions are nominal

Device	Package Type	Package Drawing	Pins	SPQ	Length (mm)	Width (mm)	Height (mm)
TL7702BCDR	SOIC	D	8	2500	340.5	336.1	25.0
TL7702BIDR	SOIC	D	8	2500	340.5	336.1	25.0
TL7705BCDR	SOIC	D	8	2500	340.5	336.1	25.0
TL7705BIDR	SOIC	D	8	2500	340.5	336.1	25.0
TL7705BQDR	SOIC	D	8	2500	350.0	350.0	43.0
TL7705BQDRG4	SOIC	D	8	2500	350.0	350.0	43.0
TL7733BCDR	SOIC	D	8	2500	340.5	336.1	25.0
TL7733BIDR	SOIC	D	8	2500	340.5	336.1	25.0

TUBE


*All dimensions are nominal

Device	Package Name	Package Type	Pins	SPQ	L (mm)	W (mm)	T (μm)	B (mm)
TL7702BCD	D	SOIC	8	75	507	8	3940	4.32
TL7702BCP	P	PDIP	8	50	506	13.97	11230	4.32
TL7702BID	D	SOIC	8	75	507	8	3940	4.32
TL7702BIP	P	PDIP	8	50	506	13.97	11230	4.32
TL7705BCD	D	SOIC	8	75	507	8	3940	4.32
TL7705BCP	P	PDIP	8	50	506	13.97	11230	4.32
TL7705BID	D	SOIC	8	75	507	8	3940	4.32
TL7705BIDE4	D	SOIC	8	75	507	8	3940	4.32
TL7705BIP	P	PDIP	8	50	506	13.97	11230	4.32
TL7705BQD	D	SOIC	8	75	505.46	6.76	3810	4
TL7705BQDG4	D	SOIC	8	75	505.46	6.76	3810	4
TL7733BCD	D	SOIC	8	75	507	8	3940	4.32
TL7733BCDE4	D	SOIC	8	75	507	8	3940	4.32
TL7733BCDG4	D	SOIC	8	75	507	8	3940	4.32
TL7733BCP	P	PDIP	8	50	506	13.97	11230	4.32
TL7733BID	D	SOIC	8	75	507	8	3940	4.32
TL7733BIDG4	D	SOIC	8	75	507	8	3940	4.32



D0008A

PACKAGE OUTLINE

SOIC - 1.75 mm max height

SMALL OUTLINE INTEGRATED CIRCUIT



4214825/C 02/2019

NOTES:

- Linear dimensions are in inches [millimeters]. Dimensions in parenthesis are for reference only. Controlling dimensions are in inches. Dimensioning and tolerancing per ASME Y14.5M.
- This drawing is subject to change without notice.
- This dimension does not include mold flash, protrusions, or gate burrs. Mold flash, protrusions, or gate burrs shall not exceed $.006$ [0.15] per side.
- This dimension does not include interlead flash.
- Reference JEDEC registration MS-012, variation AA.

EXAMPLE BOARD LAYOUT

D0008A

SOIC - 1.75 mm max height

SMALL OUTLINE INTEGRATED CIRCUIT



LAND PATTERN EXAMPLE
 EXPOSED METAL SHOWN
 SCALE:8X



SOLDER MASK DETAILS

4214825/C 02/2019

NOTES: (continued)

- 6. Publication IPC-7351 may have alternate designs.
- 7. Solder mask tolerances between and around signal pads can vary based on board fabrication site.

EXAMPLE STENCIL DESIGN

D0008A

SOIC - 1.75 mm max height

SMALL OUTLINE INTEGRATED CIRCUIT



SOLDER PASTE EXAMPLE
BASED ON .005 INCH [0.125 MM] THICK STENCIL
SCALE:8X

4214825/C 02/2019

NOTES: (continued)

8. Laser cutting apertures with trapezoidal walls and rounded corners may offer better paste release. IPC-7525 may have alternate design recommendations.
9. Board assembly site may have different recommendations for stencil design.

P (R-PDIP-T8)

PLASTIC DUAL-IN-LINE PACKAGE



- NOTES:
- A. All linear dimensions are in inches (millimeters).
 - B. This drawing is subject to change without notice.
 - C. Falls within JEDEC MS-001 variation BA.

IMPORTANT NOTICE AND DISCLAIMER

TI PROVIDES TECHNICAL AND RELIABILITY DATA (INCLUDING DATA SHEETS), DESIGN RESOURCES (INCLUDING REFERENCE DESIGNS), APPLICATION OR OTHER DESIGN ADVICE, WEB TOOLS, SAFETY INFORMATION, AND OTHER RESOURCES "AS IS" AND WITH ALL FAULTS, AND DISCLAIMS ALL WARRANTIES, EXPRESS AND IMPLIED, INCLUDING WITHOUT LIMITATION ANY IMPLIED WARRANTIES OF MERCHANTABILITY, FITNESS FOR A PARTICULAR PURPOSE OR NON-INFRINGEMENT OF THIRD PARTY INTELLECTUAL PROPERTY RIGHTS.

These resources are intended for skilled developers designing with TI products. You are solely responsible for (1) selecting the appropriate TI products for your application, (2) designing, validating and testing your application, and (3) ensuring your application meets applicable standards, and any other safety, security, regulatory or other requirements.

These resources are subject to change without notice. TI grants you permission to use these resources only for development of an application that uses the TI products described in the resource. Other reproduction and display of these resources is prohibited. No license is granted to any other TI intellectual property right or to any third party intellectual property right. TI disclaims responsibility for, and you will fully indemnify TI and its representatives against, any claims, damages, costs, losses, and liabilities arising out of your use of these resources.

TI's products are provided subject to [TI's Terms of Sale](#) or other applicable terms available either on ti.com or provided in conjunction with such TI products. TI's provision of these resources does not expand or otherwise alter TI's applicable warranties or warranty disclaimers for TI products.

TI objects to and rejects any additional or different terms you may have proposed.

Mailing Address: Texas Instruments, Post Office Box 655303, Dallas, Texas 75265
Copyright © 2022, Texas Instruments Incorporated