



## ADVANCED CAR SIGNAL PROCESSOR

- FULLY INTEGRATED SIGNAL PROCESSOR OPTIMIZED FOR CAR RADIO APPLICATIONS
- FULLY PROGRAMMABLE BY I<sup>2</sup>C BUS
- INCLUDES AUDIOPROCESSOR, STEREO - DECODER WITH NOISE BLANKER AND MULTIPATH DETECTOR
- PROGRAMMABLE ROLL-OFF COMPENSATION
- NO EXTERNAL COMPONENTS

### DESCRIPTION

The TDA7400D is the newcomer of the CSP family introduced by TDA7460/61. It uses the same innovative concepts and design technologies allowing fully software programmability through I<sup>2</sup>C bus and overall cost optimisation for the system designer.

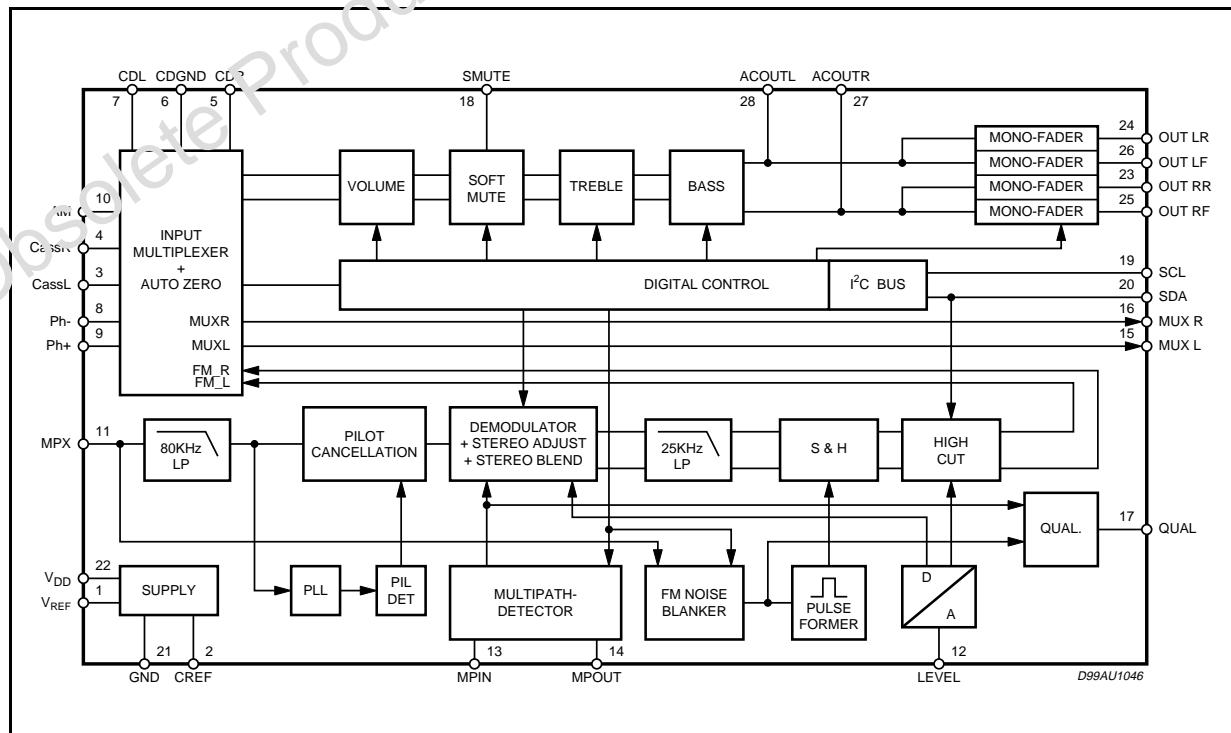
The device includes an audioprocessor with configurable inputs and absence of external components for filter settings, a last generation



stereodecoder with multipath detector and a sophisticated stereoblend and noise cancellation circuitry.

Strength points of the CSP approach are flexibility and overall cost/room saving in the application, combined with high performances.

### BLOCK DIAGRAM



## TDA7400D

### ABSOLUTE MAXIMUM RATINGS

Symbol	Parameter	Value	Unit
V <sub>s</sub>	Operating Supply Voltage	10.5	V
T <sub>amb</sub>	Operating Ambient Temperature Range	-40 to 85	°C
T <sub>stg</sub>	Operating Storage Temperature Range	-55 to 150	°C

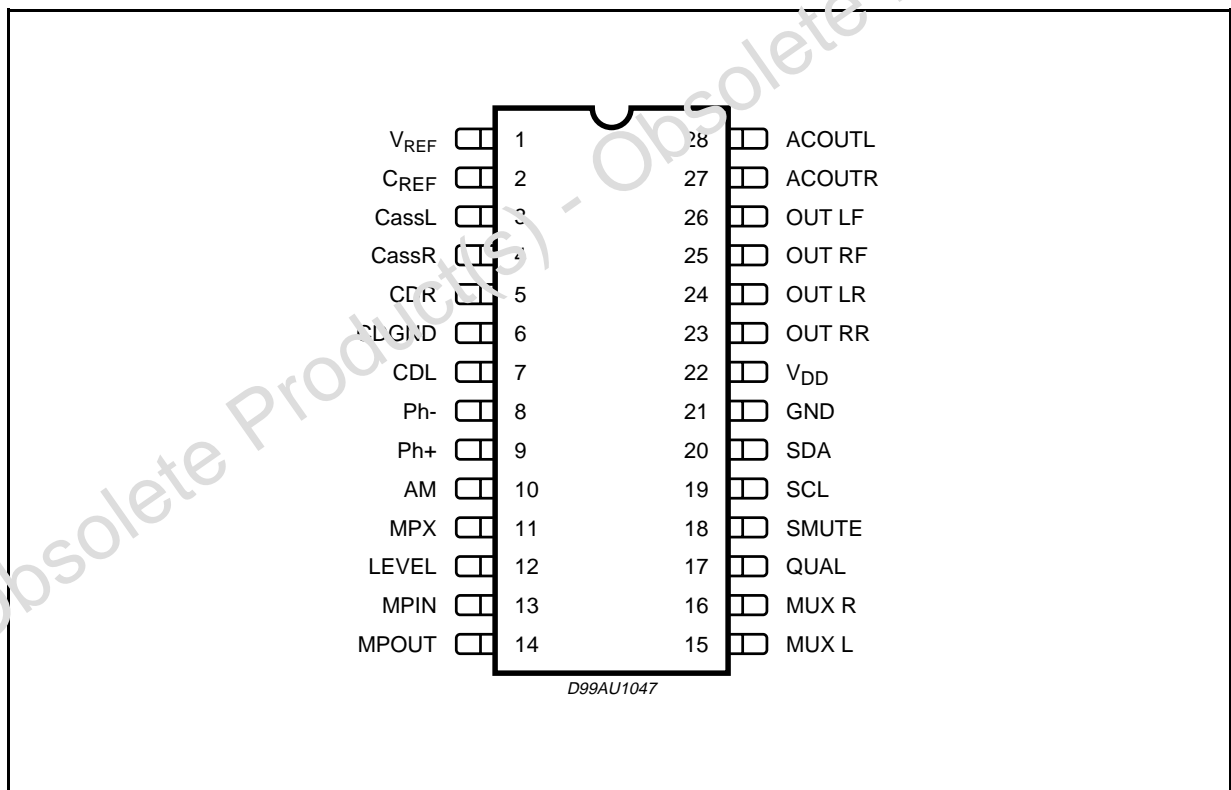
### SUPPLY

Symbol	Parameter	Test Condition	Min.	Typ.	Max.	Unit
V <sub>s</sub>	Supply Voltage		7.5	9	10	V
I <sub>s</sub>	Supply Current	V <sub>S</sub> = 9V	25	30	35	mA
SVRR	Ripple Rejection @ 1KHz	Audioprocessor (all filters flat)	50	60		dB
		Stereodecoder + Audioprocessor	45	55		dB

### ESD

All pins are protected against ESD according to the MIL883 standard.

### PIN CONNECTION



### THERMAL DATA

Symbol	Parameter	Value	Unit
R <sub>th-j pins</sub>	Thermal Resistance Junction-pins Max	85	°C/W

## PIN DESCRIPTION

N.	Name	Function	Type
1	VREF	Reference Voltage Output	I
2	CREF	Reference Capacitor Pin	S
3	TAPEL	Tape Input Left	I
4	TAPER	Tape Input Right	I
5	CDR	CD Right Channel Input	I
6	CDGND	CD Input Common Ground	I
7	CDL	CD Input Left Channel	I
8	PH -	Differential Phone Input -	I
9	PH +	Differential Phone Input +	I
10	AM	AM Input	I
11	MPX	FM Stereodecoder Input	I
12	LEVEL	Level Input Stereodecoder	I
13	MPIN	Multipath Input	I
14	MPOUT	Multipath Output	O
15	MUXL	Multiplexer Output Left Channel	O
16	MUXR	Multiplexer Output Right Channel	O
17	QUAL	Stereodecoder Quality Output	O
18	SMUTE	Soft Mute Drive	I
19	SCL	I <sup>2</sup> C Clock Line	I
20	SDA	I <sup>2</sup> C Data Line	I/O
21	GND	Supply Ground	S
22	VS	Supply Voltage	S
23	OUTRR	Right Rear Speaker Output	O
24	OUTLR	Left Rear Speaker Output	O
25	OUTRF	Right Front Speaker Output	O
26	OUTLF	Left Front Speaker Output	O
27	ACOUTR	Pre-speaker AC Output Right Channel	O
28	ACOUTL	Pre-speaker AC Output Left Channel	O

Pin type legenda: I = Input O = Output I/O = Input/Output S = Supply nc = not connected

**AUDIO PROCESSOR PART**

**Input Multiplexer**

- Quasi-differential CD and cassette stereo input
- AM mono input
- Phone differential input
- Multiplexer signal after In-Gain available at separate pins

- ±15 x 1dB steps

**Treble Control**

- 2nd order frequency response
- Center frequency programmable in 4 steps
- ±15 x 1dB steps

**Volume control**

- 1dB attenuator
- Max. gain 15dB
- Max. attenuation 79dB

**Speaker Control**

- 4 independent speaker controls in 1dB steps
- max gain 15dB
- max. attenuation 79dB

**Bass Control**

- 2nd order frequency response
- Center frequency programmable in 4(5) steps
- DC gain programmable

**Mute Functions**

- Direct mute

Digitally controlled softmute with 4 programmable mute time

**ELECTRICAL CHARACTERISTICS** ( $V_s = 9V$ ;  $T_{amb} = 25^\circ C$ ;  $R_L = 10K\Omega$ ; all gains = 0dB;  $f = 1KHz$ ; unless otherwise specified).

Symbol	Parameter	Test Condition	Min.	Typ.	Max.	Unit
<b>INPUT SELECTOR</b>						
$R_{in}$	Input Resistance	all inputs except Phone	70	100	130	$K\Omega$
$V_{CL}$	Clipping Level		2.2	2.6		$V_{RMS}$
$S_{IN}$	Input Separation		80	100		dB
$G_{IN MIN}$	Min. Input Gain		-1	0	1	dB
$G_{IN MAX}$	Max. Input Gain		13	15	17	dB
$G_{STEP}$	Step Resolution		0.5	1	1.5	dB
$V_{DC}$	DC Steps	Adjacent Gain Step	-5	0.5	5	mV
		$G_{MIN}$ to $G_{MAX}$	-10	5	10	mV
<b>DIFFERENTIAL CD STEREO INPUT</b>						
$R_{in}$	Input Resistance	Differential	70	100	130	$K\Omega$
		Common Mode	70	100	130	$K\Omega$
CMRR	Common Mode Rejection Ratio	$V_{CM} = 1V_{RMS}$ @ 1KHz	45	70		dB
		$V_{CM} = 1V_{RMS}$ @ 10KHz	45	60		dB
$e_n$	Output Noise @ Speaker Outputs	20Hz to 20KHz flat; all stages 0dB		6	15	$\mu V$
<b>DIFFERENTIAL PHONE INPUT</b>						
$R_{in}$	Input Resistance	Differential	40	56		$K\Omega$
CMRR	Common Mode Rejection Ratio	$V_{CM} = 1V_{RMS}$ @ 1KHz	40	70		dB
		$V_{CM} = 1V_{RMS}$ @ 10KHz	40	60		dB

## ELECTRICAL CHARACTERISTICS (continued)

Symbol	Parameter	Test Condition	Min.	Typ.	Max.	Unit
<b>VOLUME CONTROL</b>						
G <sub>MAX</sub>	Max Gain		13	15	17	dB
A <sub>MAX</sub>	Max Attenuation		70	79		dB
A <sub>STEP</sub>	Step Resolution		0.5	1	1.5	dB
E <sub>A</sub>	Attenuation Set Error	G = -20 to 20dB	-1.25	0	1.25	dB
		G = -60 to 20dB	-4	0	3	dB
E <sub>T</sub>	Tracking Error				2	dB
V <sub>DC</sub>	DC Steps	Adjacent Attenuation Steps		0.1	3	mV
		From 0dB to G <sub>MIN</sub>		0.5	5	m/
<b>SOFT MUTE</b>						
A <sub>MUTE</sub>	Mute Attenuation		80	100		dB
T <sub>D</sub>	Delay Time	T1		0.48	1	ms
		T2		0.96	2	ms
		T3	20	40.4	60	ms
		T4	200	324	600	ms
V <sub>THlow</sub>	Low Threshold for SM Pin <sup>1</sup>				1	V
V <sub>THhigh</sub>	High Threshold for SM Pin		2.5			V
R <sub>PD</sub>	Internal Pull-up Resistor		70	100	130	KΩ
<b>BASS CONTROL</b>						
C <sub>RANGE</sub>	Control Range		±13	±15	±17	dB
A <sub>STEP</sub>	Step Resolution		0.5	1	1.5	dB
f <sub>C</sub>	Center Frequency	f <sub>C1</sub>	54	60	66	Hz
		f <sub>C2</sub>	63	70	77	Hz
		f <sub>C3</sub>	72	80	88	Hz
		f <sub>C4</sub>	90	100 (150) <sup>(2)</sup>	110	Hz
Q <sub>BASS</sub>	Quality Factor	Q <sub>1</sub>	0.9	1	1.1	
		Q <sub>2</sub>	1.1	1.25	1.4	
		Q <sub>3</sub>	1.3	1.5	1.7	
		Q <sub>4</sub>	1.8	2	2.2	
DC <sub>GAIN</sub>	Bass-Dc-Gain	DC = off	-1	0	1	dB
		DC = on	3.5	4.4	5.5	dB
<b>TREBLE CONTROL</b>						
C <sub>RANGE</sub>	Control Range		±13	±15	±17	dB
A <sub>STEP</sub>	Step Resolution		0.5	1	1.5	dB
f <sub>C</sub>	Center Frequency	f <sub>C1</sub>	8	10	12	KHz
		f <sub>C2</sub>	10	12.5	15	KHz
		f <sub>C3</sub>	12	15	18	KHz
		f <sub>C4</sub>	14	17.5	21	KHz

1) The SM pin is active low (Mute = 0)

2) See note in Programming Part

## ELECTRICAL CHARACTERISTICS (continued)

Symbol	Parameter	Test Condition	Min.	Typ.	Max.	Unit
<b>SPEAKER ATTENUATORS</b>						
R <sub>IN</sub>	Input Impedance		35	50	65	K $\Omega$
G <sub>MAX</sub>	Max Gain		13	15	17	dB
A <sub>MAX</sub>	Max Attenuation		-70	-79		dB
A <sub>STEP</sub>	Step Resolution		0.5	1	1.5	dB
A <sub>MUTE</sub>	Output Mute Attenuation		80	90		dB
E <sub>E</sub>	Attenuation Set Error				$\pm 2$	dB
V <sub>DC</sub>	DC Steps	Adjacent Attenuation Steps		0.1	5	mV
<b>AUDIO OUTPUTS</b>						
V <sub>CLIP</sub>	Clipping Level	d = 0.3%	2.2	2.6		V <sub>RMS</sub>
R <sub>L</sub>	Output Load Resistance		2			K $\Omega$
C <sub>L</sub>	Output Load Capacitance				10	nF
R <sub>OUT</sub>	Output Impedance			30	120	$\Omega$
V <sub>DC</sub>	DC Voltage Level		4.3	4.5	4.7	V
<b>GENERAL</b>						
e <sub>NO</sub>	Output Noise	BW = 20 Hz to 20 KHz output muted		3	15	$\mu$ V
		BW = 20 Hz to 20 KHz all gain = 0dB		6.5	15	$\mu$ V
S/N	Signal to Noise Ratio	all gain = 0dB; V <sub>O</sub> = 2V <sub>RMS</sub> bass treble at 12dB; a-weighted; V <sub>O</sub> = 2.6V <sub>RMS</sub>	102	110		dB
			96	100		dB
d	Distortion	V <sub>IN</sub> = 1V <sub>RMS</sub> ; all stages 0dB		0.002	0.1	%
		V <sub>IN</sub> = 1V <sub>RMS</sub> ; Bass & Treble = 12dB		0.05	0.1	%
S <sub>C</sub>	Channel separation Left/Right		80	100		dB
E <sub>T</sub>	Total Tracking Error	A <sub>V</sub> = 0 to -20dB	-1	0	1	dB
		A <sub>V</sub> = -20 to -60dB	-2	0	2	dB
<b>BUS INPUTS</b>						
V <sub>IL</sub>	Input Low Voltage	d = 0.3%			0.8	V
V <sub>IH</sub>	Input High Voltage		2.5			V
I <sub>IN</sub>	Input Current	V <sub>IN</sub> = 0.4V	-5		5	$\mu$ A
V <sub>CA</sub>	Output Voltage SDA Acknowledge	I <sub>O</sub> = 1.6mA			0.4	V

## Stereodecoder Part

**ELECTRICAL CHARACTERISTICS** ( $V_s = 9V$ ; deemphasis time constant =  $50\mu s$ ,  
 $V_{MPX} = 500mV$ (75KHz deviation),  $f_m = 1KHz$ ,  $G_v = 6dB$ ,  $T_{amb} = 27^\circ C$ ; unless otherwise specified).

Symbol	Parameter	Test Condition	Min.	Typ.	Max.	Unit
$V_{in}$	MPX Input Level	$G_v = 3.5dB$		0.5	1.25	$V_{RMS}$
$R_{in}$	Input Resistance		70	100	130	$K\Omega$
$G_{MIN}$	Min. Input Gain		1.5	3.5	4.5	dB
$G_{MAX}$	Max. Input Gain		8.5	11	12.5	dB
$G_{STEP}$	Step Resolution		1.75	2.5	3.25	dB
SVRR	Supply Voltage Ripple Rejection	$V_{ripple} = 100mV$ ; $f = 1KHz$	35	60		dB
$\alpha$	Max. channel Separation		30	50		dB
THD	Total Harmonic Distortion			0.02	0.3	%
$\frac{S+N}{N}$	Signal plus Noise to Noise Ratio	A-weighted, $S = 2V_{rms}$	80	9		dB
<b>MONO/STEREO-SWITCH</b>						
$V_{PTHST1}$	Pilot Threshold Voltage	for Stereo, $PTH = 1$	10	15	25	mV
$V_{PTHST0}$	Pilot Threshold Voltage	for Stereo, $PTH = 0$	15	25	35	mV
$V_{PTHMO1}$	Pilot Threshold Voltage	for Mono, $PTH = 1$	7	12	17	mV
$V_{PTHMO0}$	Pilot Threshold Voltage	for Mono, $PTH = 0$	10	19	25	mV
<b>PLL</b>						
$\Delta f/f$	Capture Range		0.5			%
<b>DEEMPHASIS and HIGHCUT</b>						
$\tau_{HC50}$	Deemphasis Time Constant	Bit 7, Subadr, $10 = 0$ , $V_{LEVEL} \gg V_{HCH}$	25	50	75	$\mu s$
$\tau_{HC75}$	Deemphasis Time Constant	Bit 7, Subadr, $10 = 1$ , $V_{LEVEL} \gg V_{HCH}$	50	75	100	$\mu s$
$\tau_{HC50}$	Highcut Time Constant	Bit 7, Subadr, $10 = 0$ , $V_{LEVEL} \gg V_{HCL}$	100	150	200	$\mu s$
$\tau_{HC75}$	Highcut Time Constant	Bit 7, Subadr, $10 = 1$ , $V_{LEVEL} \gg V_{HCL}$	150	225	300	$\mu s$
<b>STEREOBLEND-and HIGHCUT-CONTROL</b>						
$R_{REF5V}$	Internal Reference Voltage		4.7	5	5.3	V
$TC_{REF5V}$	Temperature Coefficient			3300		ppm
$L_{Gmin}$	Min. LEVEL Gain		-1	0	1	dB
$L_{Gmax}$	Max. LEVEL Gain		8	10	12	dB
$L_{Gstep}$	LEVEL Gain Step Resolution		0.3	0.67	1	dB
$VSBL_{min}$	Min. Voltage for Mono		25	29	33	%REF5V
$VSBL_{max}$	Min. Voltage for Mono		54	58	62	%REF5V
$VSBL_{step}$	Step Resolution		2.2	4.2	6.2	%REF5V
$VHCH_{min}$	Min. Voltage for NO Highcut		38	42	46	%REF5V
$VHCH_{max}$	Min. Voltage for NO Highcut		62	66	70	%REF5V
$VHCH_{step}$	Step Resolution		5	8.4	12	%REF5V
$VHCL_{min}$	Min. Voltage for FULL Highcut		12	17	22	%VHCH
$VHCL_{max}$	Max. Voltage for FULL Highcut		28	33	38	%VHCH
$VHCL_{step}$	Step Resolution		2.2	4.2	6.2	%VHCH

**ELECTRICAL CHARACTERISTICS** (continued)

Symbol	Parameter	Test Condition	Min.	Typ.	Max.	Unit
<b>Carrier and harmonic suppression at the output</b>						
$\alpha_{19}$	Pilot Signal f = 19KHz		40	50		dB
$\alpha_{38}$	Subcarrier f = 38KHz				75	dB
$\alpha_{57}$	Subcarrier f = 57KHz				62	dB
$\alpha_{76}$	Subcarrier f = 76KHz				90	dB
<b>Intermodulation (Note 1)</b>						
$\alpha_2$	$f_{mod} = 10\text{KHz}, f_{spur} = 1\text{KHz}$				65	dB
$\alpha_3$	$f_{mod} = 13\text{KHz}, f_{spur} = 1\text{KHz}$				75	dB
<b>Traffic Ratio (Note 2)</b>						
$\alpha_{57}$	Signal f = 57KHz				70	dB
<b>SCA - Subsidiary Communications Authoorization (Note 3)</b>						
$\alpha_{67}$	Signal f = 67KHz				75	dB
<b>ACI - Adjacent Channel Interference (Note 4)</b>						
$\alpha_{114}$	Signal f = 114KHz				95	dB
$\alpha_{190}$	Signal f = 190KHz				84	dB

**Notes to the characteristics:**

1. Intermodulation Suppression:

$$\alpha_2 = \frac{V_{O(\text{signal})(\text{at}1\text{KHz})}}{V_{O(\text{spurious})(\text{at}1\text{KHz})}}; f_s = 2 \times 10\text{KHz} - 19\text{KHz}$$

$$\alpha_3 = \frac{V_{O(\text{signal})(\text{at}1\text{KHz})}}{V_{O(\text{spurious})(\text{at}1\text{KHz})}}; f_s = (3 \times 13\text{KHz}) - 38\text{KHz}$$

measured with: 91% pilot signal;  $f_m = 10\text{kHz}$  or  $1.1\text{kHz}$

2. Traffic Radio (V.F.) Suppression: measured with: 91% stereo signal; 9% pilot signal;  $f_m = 1\text{kHz}$ ; 5% subcarrier ( $f = 57\text{kHz}$ ,  $f_m = 23\text{Hz}$  AM,  $m = 60\%$ )

$$\alpha_{57} (\text{V.W>F.}) = \frac{V_{O(\text{signal})(\text{at}1\text{KHz})}}{V_{O(\text{spurious})(\text{at}1\text{KHz} \pm 23\text{KHz})}}$$

3. SCA ( Subsidiary Communications Authorization ) measured with: 81% mono signal; 9% pilot signal;  $f_m = 1\text{kHz}$ ; 10%SCA - subcarrier ( $f_c = 57\text{kHz}$ , unmodulated ).

$$\alpha_{67} = \frac{V_{O(\text{signal})(\text{at}1\text{KHz})}}{V_{O(\text{spurious})(\text{at}9\text{KHz})}}; F_s = (2 \times 38\text{KHz}) - 67\text{KHz}$$

4. ACI ( Adjacent Channel Interference ):  $\alpha_{114} = \frac{V_{O(\text{signal})(\text{at}1\text{KHz})}}{V_{O(\text{spurious})(\text{at}4\text{KHz})}}; F_s = 110\text{KHz} - (3 \times 38\text{KHz})$

$$\alpha_{190} = \frac{V_{O(\text{signal})(\text{at}1\text{KHz})}}{V_{O(\text{spurious})(\text{at}4\text{KHz})}}; F_s = 186\text{KHz} - (5 \times 38\text{KHz})$$

measured with: 90% mono signal; 9% pilot signal;  $f_m = 1\text{kHz}$ ; 1% spurious signal ( $f_s = 110\text{kHz}$  or  $186\text{kHz}$ , unmodulated).



## NOISE BLANKER PART

- internal 2nd order 140kHz high pass filter
- programmable trigger threshold
- trigger threshold dependent on high frequency noise with programmable gain
- additional circuits for deviation and field-strength dependent trigger adjustment
- very low offset current during hold time due to opamps wMOS inputs
- four selectable pulse suppression times
- programmable noise rectifier charge/discharge current

## ELECTRICAL CHARACTERISTICS (continued)

Symbol	Parameter	Test Condition		Min.	Typ.	Max.	Unit
V <sub>TR</sub>	Trigger Threshold <sup>0) 1)</sup>	meas. with V <sub>PEAK</sub> = 0.9V	NBT = 111	(c)	30	(c)	mV <sub>OP</sub>
			NBT = 110	(c)	35	(c)	mV <sub>OP</sub>
			NBT = 101	(c)	40	(c)	mV <sub>OP</sub>
			NBT = 100	(c)	45	(c)	mV <sub>OP</sub>
			NBT = 011	(c)	50	(c)	mV <sub>OP</sub>
			NBT = 010	(c)	55	(c)	mV <sub>OP</sub>
			NBT = 001	(c)	60	(c)	mV <sub>OP</sub>
			NBT = 000	(c)	65	(c)	mV <sub>OP</sub>
V <sub>TRNOISE</sub>	Noise Controlled Trigger Threshold <sup>2)</sup>	meas. with V <sub>PEAK</sub> = 1.5V	NCT = 00	(c)	260	(c)	mV <sub>OP</sub>
			NCT = 01	(c)	220	(c)	mV <sub>OP</sub>
			NCT = 10	(c)	180	(c)	mV <sub>OP</sub>
			NCT = 11	(c)	140	(c)	mV <sub>OP</sub>
V <sub>RECT</sub>	Rectifier Voltage	V <sub>MPX</sub> = 0mV	NRD <sup>6)</sup> = 00	0.5	0.9	1.3	V
		V <sub>MPX</sub> = 50mV; f = 150KHz		1.5	1.7	2.1	V
		V <sub>MPX</sub> = 200mV; f = 150KHz		2.2	2.5	2.9	V
V <sub>RECT DEV</sub>	deviation dependent rectifier Voltage <sup>3)</sup>	means. with V <sub>MPX</sub> = 800mV (75KHz dev.)	OVD = 11	0.5	0.9(off)	1.3	V <sub>OP</sub>
			OVD = 10	0.9	1.2	1.5	V <sub>OP</sub>
			OVD = 01	1.7	2.0	2.3	V <sub>OP</sub>
			OVD = 00	2.5	2.8	3.1	V <sub>OP</sub>
V <sub>RECT FS</sub>	Fieldstrength Controlled Rectifier Voltage <sup>4)</sup>	means. with V <sub>MPX</sub> = 0mV V <sub>LEVEL</sub> << V <sub>SBL</sub> (fully mono)	FSC = 11	0.5	0.9(off)	1.3	V
			FSC = 10	0.9	1.4	1.5	V
			FSC = 01	1.7	1.9	2.3	V
			FSC = 00	2.1	2.4	3.1	V
T <sub>SP</sub>	Suppression Pulse Duration <sup>5)</sup>	Signal HOLDN in Testmode	BLT = 00	TBD	38	TBD	μs
			BLT = 10	TBD	32	TBD	μs
			BLT = 01	TBD	25.5	TBD	μs
			BLT = 00	TBD	22	TBD	μs
V <sub>RECTADJ</sub>	Noise Rectifier discharge adjustment <sup>6)</sup>	Signal PEAK in Testmode	NRD = 00 <sup>6)</sup>	(c)	0.3	(c)	V/ms
			NRD = 01 <sup>6)</sup>	(c)	0.8	(c)	V/ms
			NRD = 10 <sup>6)</sup>	(c)	1.3	(c)	V/ms
			NRD = 11 <sup>6)</sup>	(c)	2.0	(c)	V/ms
SR <sub>PEAK</sub>	Noise Rectifier Charge	Signal PEAK in Testmode	PCH = 0 <sup>7)</sup>	(c)	10	(c)	mV/μs
			PCH = 1 <sup>7)</sup>	(c)	20	(c)	mV/μs

(c) = by design/characterization functionally guaranteed through dedicated test mode structure

ELECTRICAL CHARACTERISTICS (continued)

Symbol	Parameter	Test Condition	Min.	Typ.	Max.	Unit	
V <sub>ADJMP</sub>	Noise Rectifier adjustment through Multipath <sup>8)</sup>	Signal PEAK in Testmode	MPNB = 00 <sup>8)</sup>	(c)	0.3	(c)	V/ms
			MPNB = 01 <sup>8)</sup>	(c)	0.5	(c)	V/ms
			MPNB = 10 <sup>8)</sup>	(c)	0.7	(c)	V/ms
			MPNB = 11 <sup>8)</sup>	(c)	0.9	(c)	V/ms

0) All Thresholds are measured using a pulse with  $T_R = 2\mu s$ ,  $T_{HIGH} = 2\mu s$  and  $T_F = 10\mu s$ . The repetition rate must not increase the PEAK voltage.

- 1) NBT represents the Noiseblanker Byte bits D<sub>2</sub>, D<sub>0</sub> for the noise blanker trigger threshold
- 2) NAT represents the Noiseblanker Byte bit pair D<sub>4</sub>, D<sub>3</sub> for the noise controlled triggeradjustment
- 3) OVD represents the Noiseblanker Byte bit pair D<sub>7</sub>, D<sub>6</sub> for the over deviation detector
- 4) FSC represents the Fieldstrength Byte bit pair D<sub>1</sub>, D<sub>0</sub> for the fieldstrength control
- 5) BLT represents the Speaker RR Byte bit pair D<sub>7</sub>, D<sub>6</sub> for the blanktime adjustment
- 6) NRD represents the Configuration-Byte bit pair D<sub>1</sub>, D<sub>0</sub> for the noise rectifier discharge-adjustment
- 7) PCH represents the Stereodecoder-Byte bit D<sub>5</sub> for the noise rectifier charge-current adjustment
- 8) MPNB represents the HighCut-Byte bit D<sub>7</sub> and the Fieldstrength-Byte D<sub>7</sub> for the noise rectifier multipath adjustment

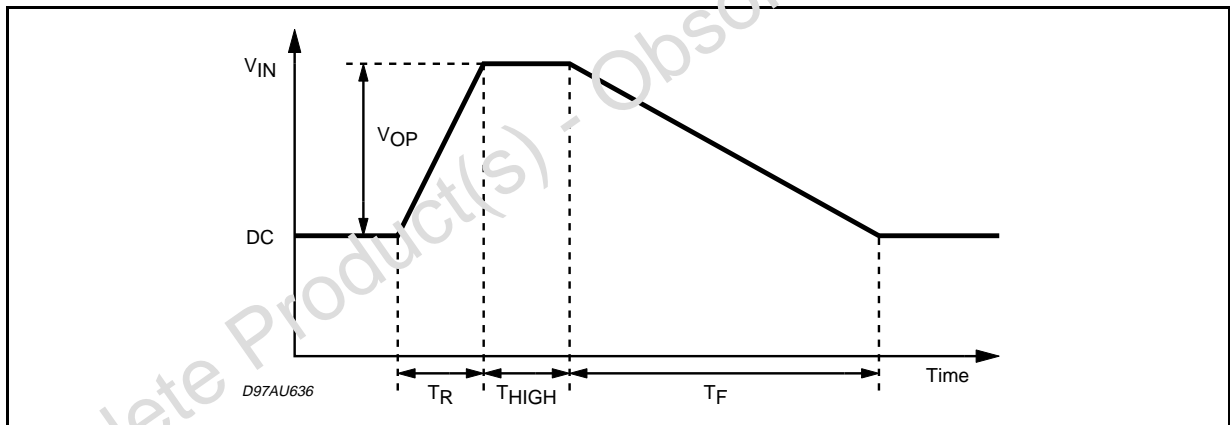


Figure 1. Trigger Threshold vs. VPEAK

Figure 2. Deviation Controlled Trigger Adjustment

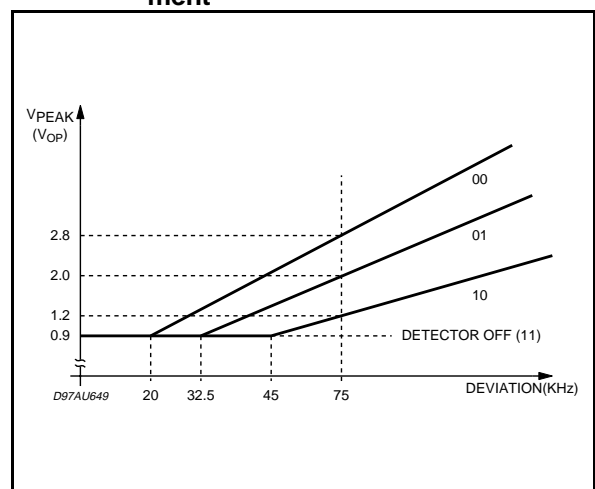
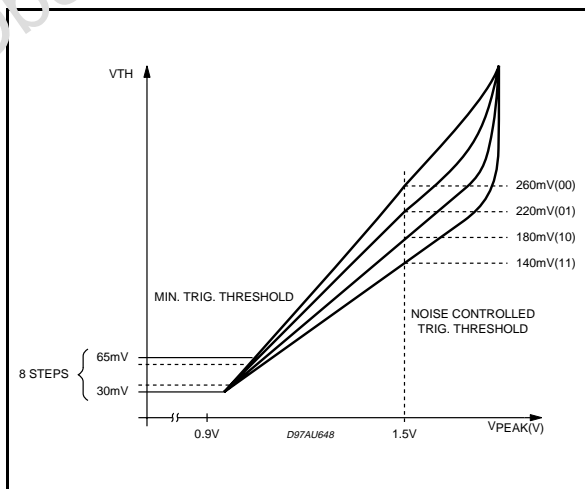
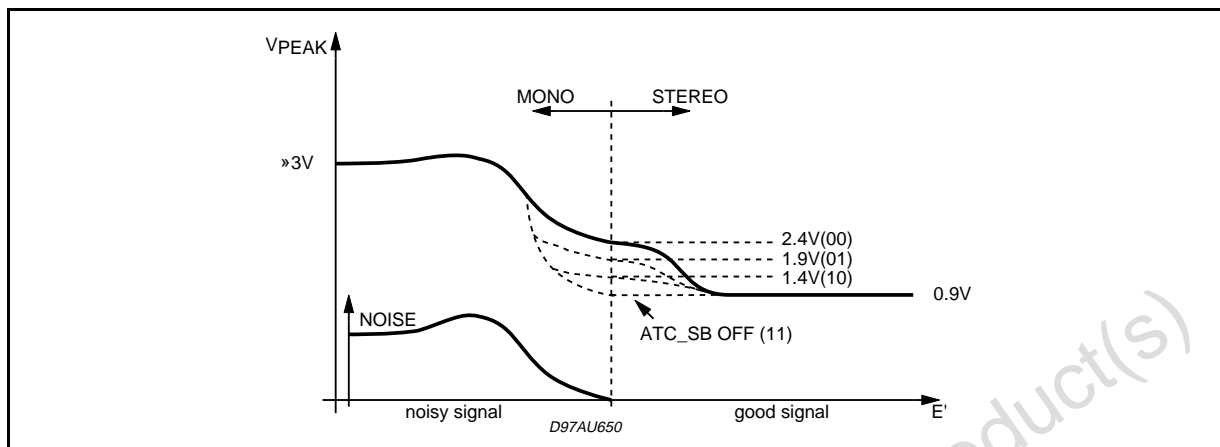


Figure 3. Fieldstrength Controlled Trigger Adjustment



**Multipath Detector**

- Internal 19kHz band pass filter
- Programmable band pass and rectifier gain
- two pin solution, fully independent usable for external programming
- selectable internal influence on Stereoblend

**ELECTRICAL CHARACTERISTICS (continued)**

Symbol	Parameter	Test Condition	Min.	Typ.	Max.	Unit
f <sub>COMP</sub>	Center Frequency of Multipath-Bandpass	stereodecoder locked on Pilotono		19		KHz
GBPMP	Bandpass Gain	bits D <sub>2</sub> , D <sub>1</sub> configuration byte = 00		6		dB
		bits D <sub>2</sub> , D <sub>1</sub> configuration byte = 10		12		dB
		bits D <sub>2</sub> , D <sub>1</sub> configuration byte = 01		16		dB
		bits D <sub>2</sub> , D <sub>1</sub> configuration byte = 11		18		dB
GRECTMP	Rectifier Gain	bits D <sub>7</sub> , D <sub>6</sub> configuration byte = 00		7.6		dB
		bits D <sub>7</sub> , D <sub>6</sub> configuration byte = 01		4.6		dB
		bits D <sub>7</sub> , D <sub>6</sub> configuration byte = 10		0		dB
		bits D <sub>7</sub> , D <sub>6</sub> configuration byte = 11		off		dB
I <sub>CHMP</sub>	Rectifier Charge Current	bit D <sub>5</sub> configuration byte = 0		0.5		μA
		bit D <sub>5</sub> configuration byte = 1		1.0		μA
I <sub>DISMP</sub>	Rectifier Discharge Current		0.5	1	1.5	mA

**Quality Detector**

Symbol	Parameter	Test Condition	Min.	Typ.	Max.	Unit
A	Multipath Influence Factor	bit D <sub>7</sub> High-Cut byte +	00		0.7	
		bit D <sub>7</sub> Fieldstrength byte +	01		0.85	
			10		1.00	
			11		1.15	

**DESCRIPTION OF THE AUDIOPROCESSOR PART**

**Input Multiplexer**

- CD quasi differential
- Cassette stereo
- Phone differential
- AM mono
- Stereodecoder input.

**Input stages**

Most of the input stages have remained the same as in preceding ST audioprocessors with exception of the CD inputs (see figure 4).

In the meantime there are some CD players in the market having a significant high source impedance which affects strongly the common-mode rejection of the normal differential input stage. The additional buffer of the CD input avoids this drawback and offers the full common-mode rejection even with those CD players.

The output of the Cd stage is permanently available of the Cd out-pins

**AutoZero**

In order to reduce the number of pins there is no AC coupling between the In-Gain and the following stage, so that any offset generated by or before the In-Gain stage would be transferred or even amplified to the output.

To avoid that effect a special offset cancellation stage called AutoZero is implemented.

This stage is located before the volume-block to eliminate all offsets generated by the Stereode-

coder, the Input Stage and the In-Gain (Please notice that externally generated offsets, e.g. generated through the leakage current of the coupling capacitors, are not cancelled).

The auto-zeroing is started every time the DATA-BYTE 0 is selected and takes a time of max. 0.3ms. To avoid audible clicks the audioprocessor is muted before the volume stage during this time.

**AutoZero Remain**

In some cases, for example if the  $\mu P$  is executing a refresh cycle of the I<sup>2</sup>C bus programming, it is not useful to start a new AutoZero action because no new source is selected and an undesired mute would appear at the outputs. For such applications the TDA7400D could be switched in the "Auto Zero Remain mode" (Bit 6 of the subaddress byte). If this bit is set to high, the DATA-BYTE 0 could be loaded without invoking the AutoZero and the old adjustment value remains.

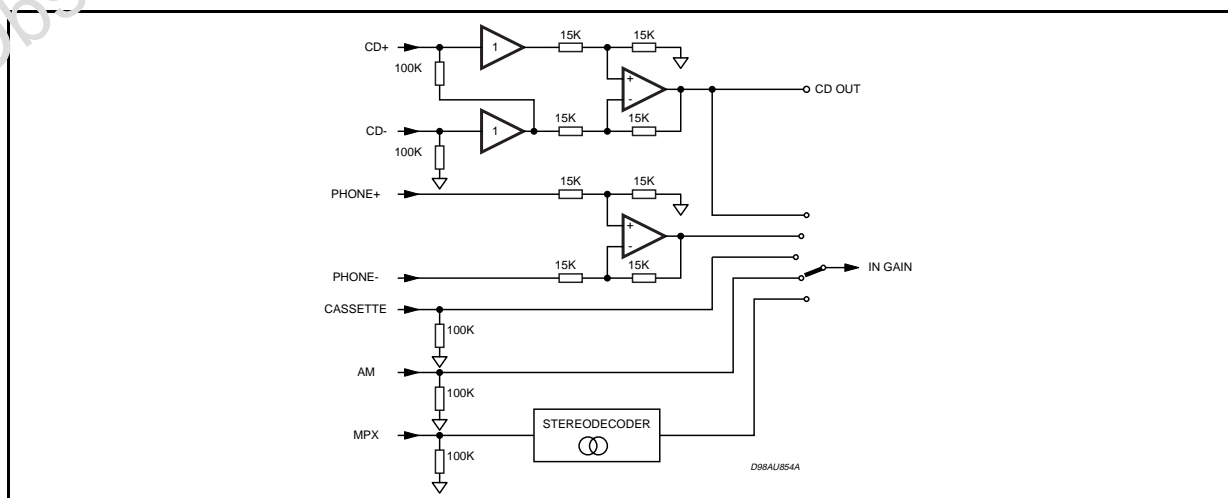
**Multiplexer Output**

The output signal of the Input Multiplexer is available at separate pins (please see the Blockdiagram). This signal represents the input signal amplified by the In Gain stage and is also going into the Mixer stage.

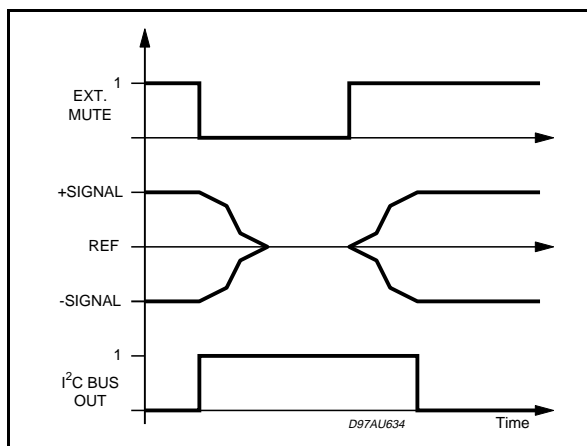
**Softmute**

The digitally controlled softmute stage allows muting/demuting the signal with a I<sup>2</sup>C bus programmable slope. The mute process can either be activated by the softmute pin or by the I<sup>2</sup>C bus. The slope is realized in a special S shaped curve to mute slow in the critical regions (see figure 5).

**Figure 4. Input stages**



**Figure 5. Softmute Timing**



Note: Please notice that a started Mute action is always terminated and could not be interrupted by a change of the mute signal.

For timing purposes the Bit 3 of the I<sup>2</sup>C bus output register is set to 1 from the start of muting until the end of demuting.

**Bass**

There are four parameters programmable in the bass stage: (see figs 6, 7, 8, 9):

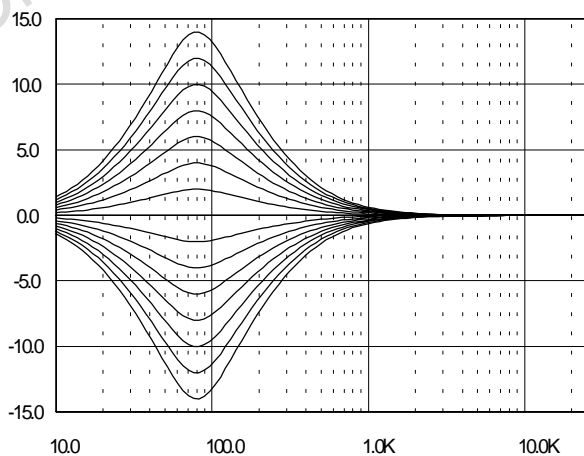
**Attenuation**

Figure 6 shows the attenuation as a function of frequency at a center frequency at a center frequency of 80Hz.

**Central Frequency**

Figure 7 shows the four possible center frequen-

**Figure 6. Bass Control @ fc = 80Hz, Q = 1**



cies 60,70,80 and 100Hz.

**Quality Factors**

Figure 8 shows the four possible quality factors 1, 1.25, 1.5 and 2.

**DC Mode**

In this mode the DC gain is increased by 5.1dB. In addition the programmed center frequency and quality factor is decreased by 25% which can be used to reach alternative center frequencies or quality factors.

**TREBLE**

There are two parameters programmable in the treble stage (see figs 10, 11).

**Attenuation**

Figure 10 shows the attenuation as a function of frequency at a center frequency of 17.5KHz.

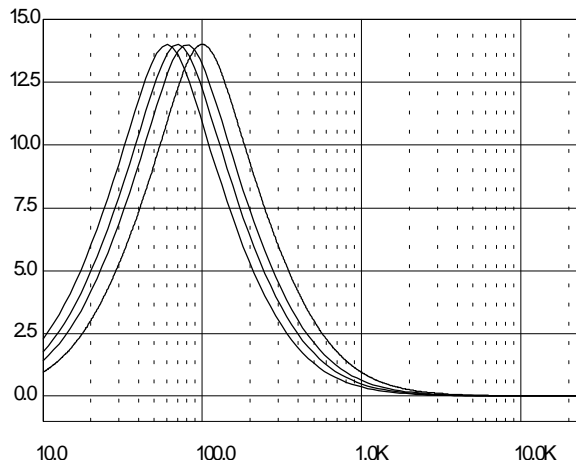
**Center Frequency**

Figure 11 shows the four possible Center Frequency (10, 12.5, 15 and 17.5kHz).

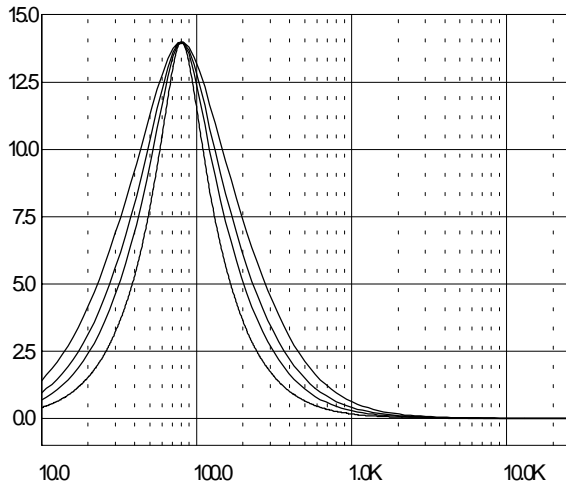
**Speaker Attenuator**

The speaker attenuators have exactly the same structure and range like the Volume stage.

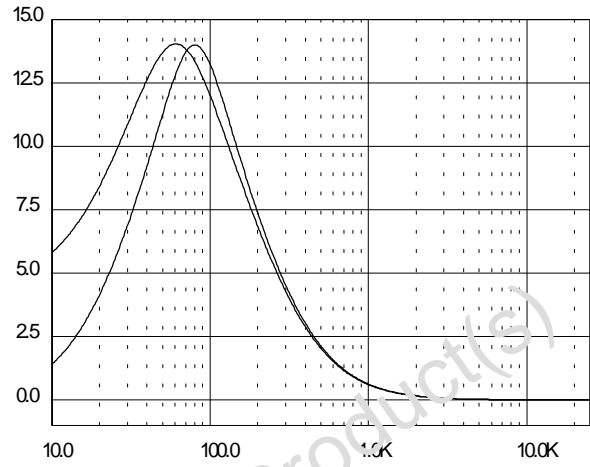
**Figure 7. Bass Center @ Gain = 14dB, Q = 1**



**Figure 8. Bass Quality factors @ Gain = 14dB, fc = 80Hz**

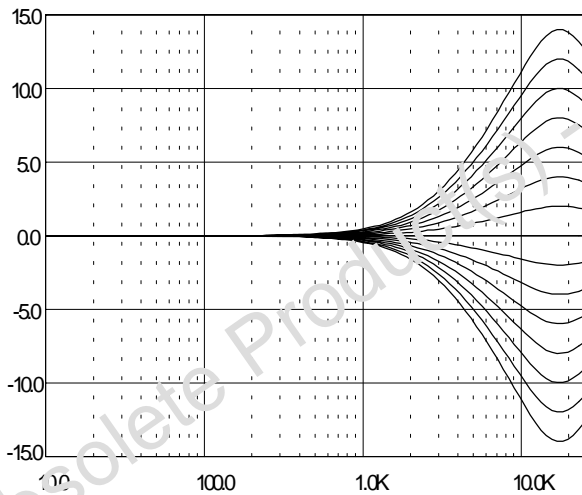


**Figure 9. Bass normal and DC Mode @ Gain = 14dB, fc = 80Hz**

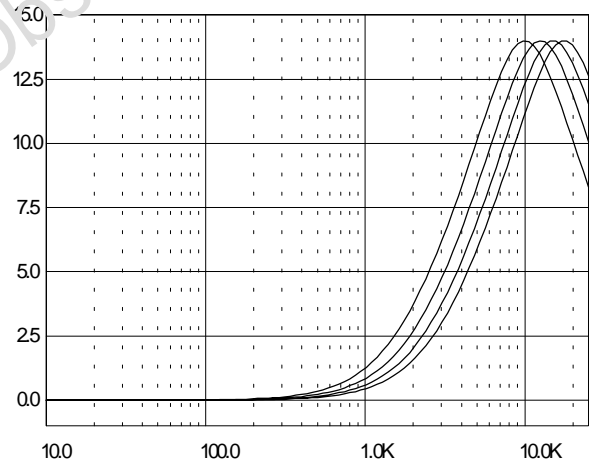


Note: In general the center frequency, Q and DC-mode can be set independently. The exception from this rule is the mode (5/xx1111xx) where the center frequency is set to 150Hz instead of 100Hz.

**Figure 10. Treble Control @ fc = 17.5KHz**



**Figure 11. Treble Center Frequencies @ Gain = 14dB**



## FUNCTIONAL DESCRIPTION OF STEREODECODER

The stereodecoder part of the TDA7400D (see Fig. 12) contains all functions necessary to demodulate the MPX signal like pilot tone dependent MONO/STEREO switching as well as "stereoblend" and "highcut" functions.

### Stereodecoder Mute

The TDA7400D has a fast and easy to control RDS mute function which is a combination of the audioprocessor's softmute and the high-ohmic mute of the stereodecoder. If the stereodecoder is selected and a softmute command is sent (or activated through the SM pin) the stereodecoder will be set automatically to the high-ohmic mute condition after the audio signal has been softmuted.

Hence a checking of alternate frequencies could be performed. To release the system from the mute condition simply the unmute command must be sent: the stereodecoder is unmuted immediately and the audioprocessor is softly unmuted. Fig. 13 shows the output signal  $V_O$  as well as the internal stereodecoder mute signal. This influence of Softmute on the stereodecoder mute can

be switched off by setting bit 3 of the Softmute byte to "0". A stereodecoder mute command (bit 0, stereodecoder byte set to "1") will set the stereodecoder in any case independently to the high-ohmic mute state.

If any other source than the stereodecoder is selected the decoder remains muted and the MPX pin is connected to  $V_{ref}$  to avoid any discharge of the coupling capacitor through leakage currents.

### Ingain + Infilter

The Ingain stage allows to adjust the MPX signal to a magnitude of about 1Vrms internally which is the recommended value. The 4th order input filter has a corner frequency of 80KHz and is used to attenuate spikes and noise and acts as an anti aliasing filter for the following switch capacitor filters.

### Demodulator

In the demodulator block the left and the right channel are separated from the MPX signal. In this stage also the 19 kHz pilot tone is cancelled. For reaching a high channel separation the TDA7400D offers an I2C bus programmable roll-

Figure 12. Block Diagram of the Stereodecoder

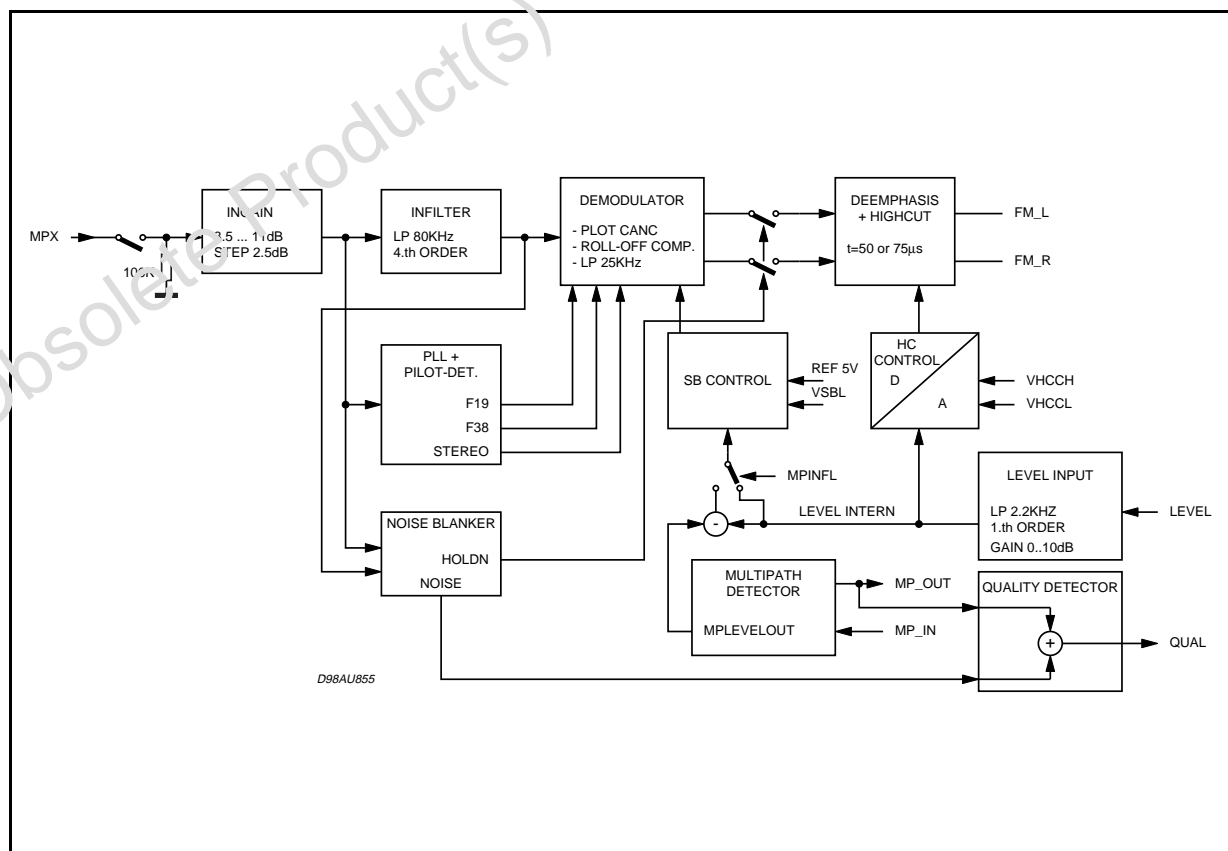
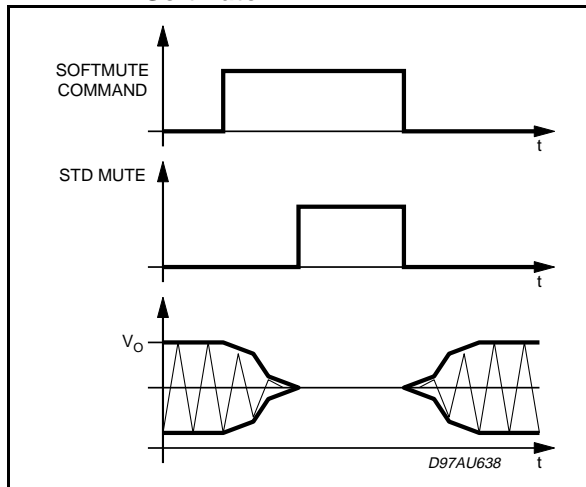


Figure 13. Signals During Stereodecoder's Softmute



off adjustment which is able to compensate the lowpass behaviour of the tuner section. If the tuner attenuation at 38kHz is in a range from 13.8% to 24.6% the TDA7400D needs no external network in front of the MPX pin. Within this range an adjustment to obtain at least 40dB channel separation is possible.

The bits for this adjustment are located together with the fieldstrength adjustment in one byte. This gives the possibility to perform an optimization step during the production of the carradio where the channel separation and the fieldstrength control are trimmed.

The setup of the Stereoblend characteristics which is programmable in a wide range is described in 2.8.

**Deemphasis and Highcut.**

The lowpass filter for the deemphasis allows to choose between a time constant of 50µs and 75µs (bit D7, Stereodecoder byte).

The highcut control range will be in both cases  $\tau_{HC} = 2 \cdot \tau_{Deemp}$ . Inside the highcut control range (between VHCH and VHCL) the LEVEL signal is converted into a 5 bit word which controls the lowpass time constant between  $\tau_{Deemp} \dots 3 \cdot \tau_{Deemp}$ . There by the resolution will remain always 5 bits independently of the absolute voltage range between the VHCH and VHCL values.

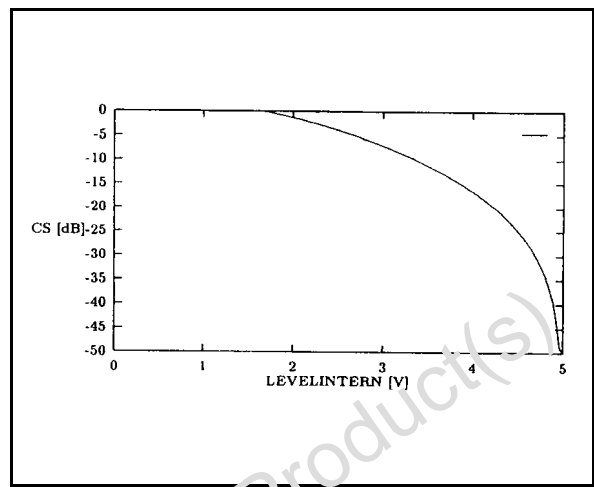
The highcut function can be switched off by I<sup>2</sup>C bus (bit D7, Fieldstrength byte set to "0").

The setup of the highcut characteristics is described in 2.9.

**PLL and Pilot Tone Detector**

The PLL has the task to lock on the 19kHz pilot

Figure 14. Internal Stereoblend Characteristics



tone during a stereo transmission to allow a correct demodulation. The included detector enables the demodulation if the pilot tone reaches the selected pilot tone threshold V<sub>PTHST</sub>. Two different thresholds are available. The detector output (signal STEREO, see block diagram) can be checked by reading the status byte of the TDA7400D via I<sup>2</sup>C bus.

**Fieldstrength Control**

The fieldstrength input is used to control the high cut and the stereoblend function. In addition the signal can be also used to control the noise-blanker thresholds and as input for the multipath detector. These additional functions are described in sections 3.3 and 4.

**LEVEL Input and Gain**

To suppress undesired high frequency modulation on the highcut and stereoblend function the LEVEL signal is lowpass filtered firstly.

The filter is a combination of a 1st order RC lowpass at 53kHz (working as anti-aliasing filter) and a 1st-order switched capacitor lowpass at 2.2kHz. The second stage is a programmable gain stage to adapt the LEVEL signal internally to different IF device (see Testmode section 5 LEVELINTERN).

The gain is widely programmable in 16 steps from 0dB to 10dB (step = 0.67dB). These 4 bits are located together with the Roll-Off bits in the "Stereodecoder Adjustment" byte to simplify a possible adaptation during the production of the carradio.

**Stereoblend Control**

The stereoblend control block converts the inter-



Figure 15. Relation Between Internal and External LEVEL Voltage and Setup of Stereoblend

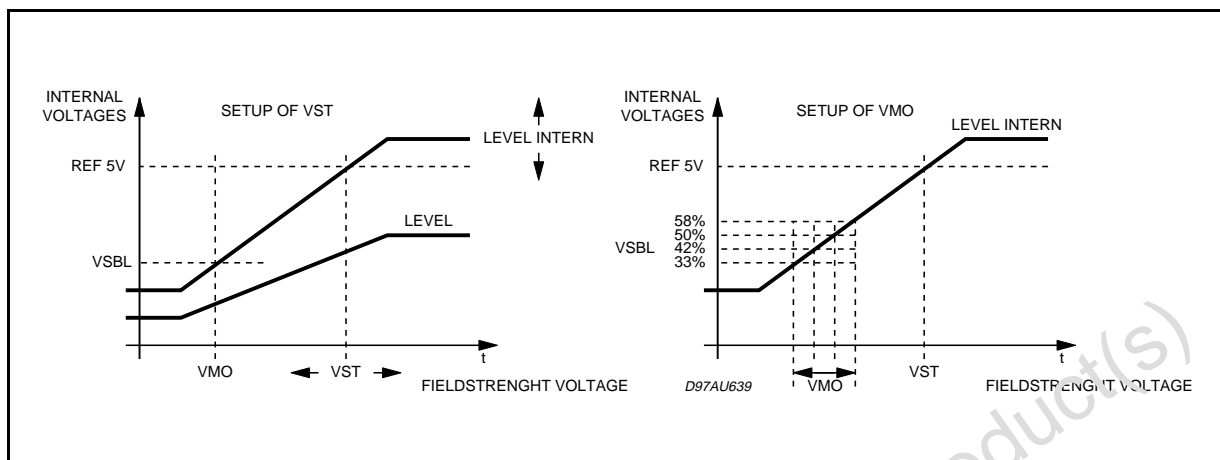
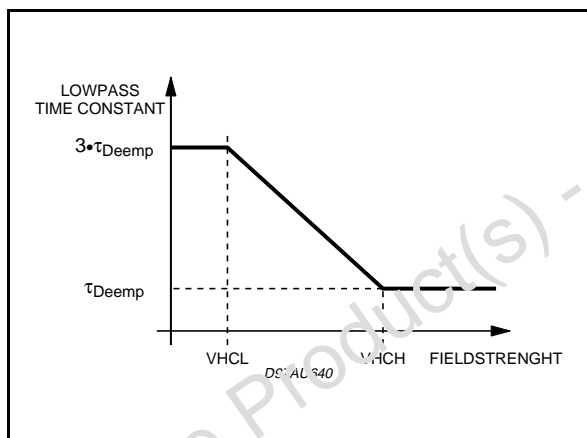


Figure 16. Highcut Characteristics



nal LEVEL voltage (LEVEL INTERN) into an demodulator compatible analog signal which is used to control the channel separation between 0dB and the maximum separation. Internally this control range has a fixed upper limit which is the internal reference voltage REF5V. The lower limit can be programmed between 29.2% and 58%, of REF5V in 4.167% steps (see figs. 11, 12).

To adjust the external LEVEL voltage to the internal range two values must be defined: the LEVEL gain  $L_G$  and VSBL (see fig. 12). To adjust the voltage where the full channel separation is reached (VST) the LEVEL gain  $L_G$  has to be defined. The following equation can be used to estimate the gain:

$$L_G = \frac{REF5V}{Fieldstrengthvoltage[STEREO]}$$

The gain can be programmed through 4 bits in the "Stereodecoder-Adjustment" byte.

The MONO voltage VMO (0dB channel separation) can be chosen selecting VSBL.

All necessary internal reference voltages like REF5V are derived from a bandgap circuit. Therefore they have a temperature coefficient near zero. This is useful if the fieldstrength signal is also temperature compensated.

But most IF devices apply a LEVEL voltage with a TC of 3300ppm. The TDA7400D offers this TC for the reference voltages, too. The TC is selectable with bit D7 of the "stereodecoder adjustment" byte.

**Highcut Control**

The highcut control setup is similar to the stereoblend control setup : the starting point VHCH can be set with 2 bits to be 42, 50, 58 or 66% of REF5V whereas the range can be set to be 17, 22, 28 or 33% of VHCH (see fig. 21).

**FUNCTIONAL DESCRIPTION OF THE NOISE-BLANKER**

In the automotive environment the MPX signal is disturbed by spikes produced by the ignition and for example the wiper motor. The aim of the noiseblanker part is to cancel the audible influence of the spikes.

Therefore the output of the stereodecoder is held at the actual voltage for a time between 22 and 38µs (programmable).

The block diagram of the noiseblanker is given in fig.17.

In a first stage the spikes must be detected but to avoid a wrong triggering on high frequency (white) noise a complex trigger control is implemented. Behind the triggerstage a pulse former generates the "blanking" pulse. To avoid any crosstalk to the signalpath the noiseblanker is

supplied by his own biasing circuit.

**Trigger Path**

The incoming MPX signal is highpass filtered, amplified and rectified. This second order high-pass-filter has a corner frequency of 140kHz.

The rectified signal, RECT, is lowpass filtered to generate a signal called PEAK. Also noise with a frequency 140kHz increases the PEAK voltage. The resulting voltage can be adjusted by use of the noise rectifier discharge current.

The PEAK voltage is fed to a threshold generator, which adds to the PEAK voltage a DC dependent threshold VTH. Both signals, RECT and PEAK+VTH are fed to a comparator which triggers a re-triggerable monoflop. The monoflop's output activates the sample-and-hold circuits in the signalpath for selected duration.

**Automatic Noise Controlled Threshold Adjustment (ATC)**

There are mainly two independent possibilities for programming the trigger threshold:

- a the low threshold in 8 steps (bits D0 to D2 of the noiseblanker byte)
- b the noise adjusted threshold in 4 steps (bits D3 and D4 of the noiseblanker byte, see fig. 14).

The low threshold is active in combination with a good MPX signal without any noise; the PEAK voltage is less than 1V. The sensitivity in this operation is high.

If the MPX signal is noisy the PEAK voltage increases due to the higher noise, which is also

rectified. With increasing of the PEAK voltage the trigger threshold increases, too. This particular gain is programmable in 4 steps (see fig. ...).

**AUTOMATIC THRESHOLD CONTROL MECHANISM**

**Automatic Threshold Control by the Stereoblend Voltage**

Besides the noise controlled threshold adjustment there is an additional possibility for influencing the trigger threshold. It is depending on the stereoblend control.

The point where the MPX signal starts to become noisy is fixed by the RF part. Therefore also the starting point of the normal noise-controlled trigger adjustment is fixed (fig. 11). In some cases the behaviour of the noiseblanker can be improved by increasing the threshold even in a region of higher fields strength. Sometimes a wrong triggering occurs for the MPX signal often shows distortion in this range which can be avoided even if using a low threshold.

Because of the overlap of this range and the range of the stereo/mono transition it can be controlled by stereoblend. This threshold increase is programmable in 3 steps or switched off with bits D0 and D1 of the fieldstrength control byte.

**Over Deviation Detector**

If the system is tuned to stations with a high deviation the noiseblanker can trigger on the higher frequencies of the modulation. To avoid this wrong behaviour, which causes noise in the output signal, the noiseblanker offers a deviation dependent threshold adjustment.

**Figure 17 Block Diagram of the Noiseblanker**

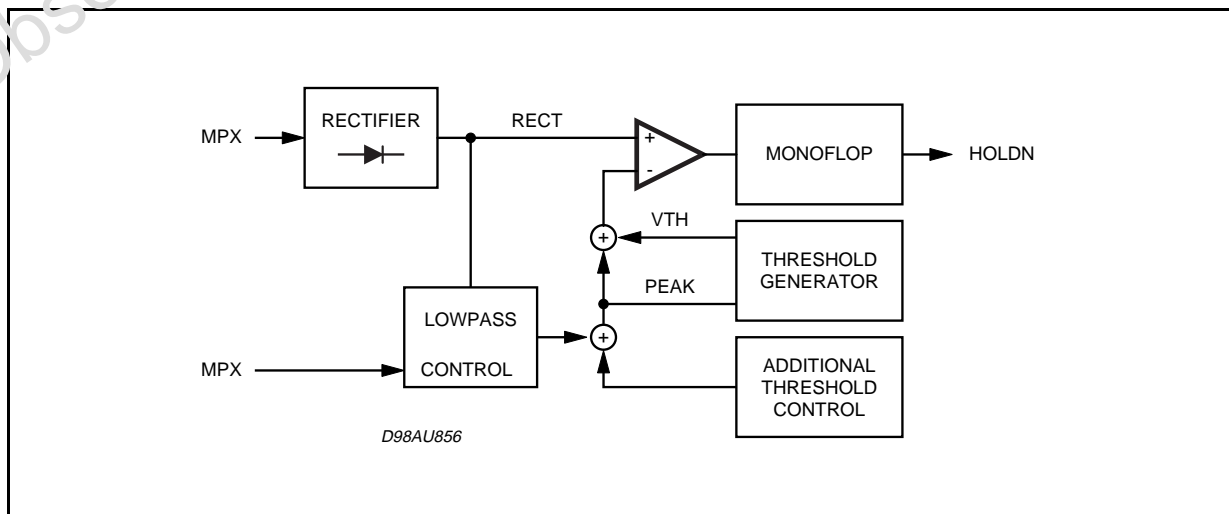
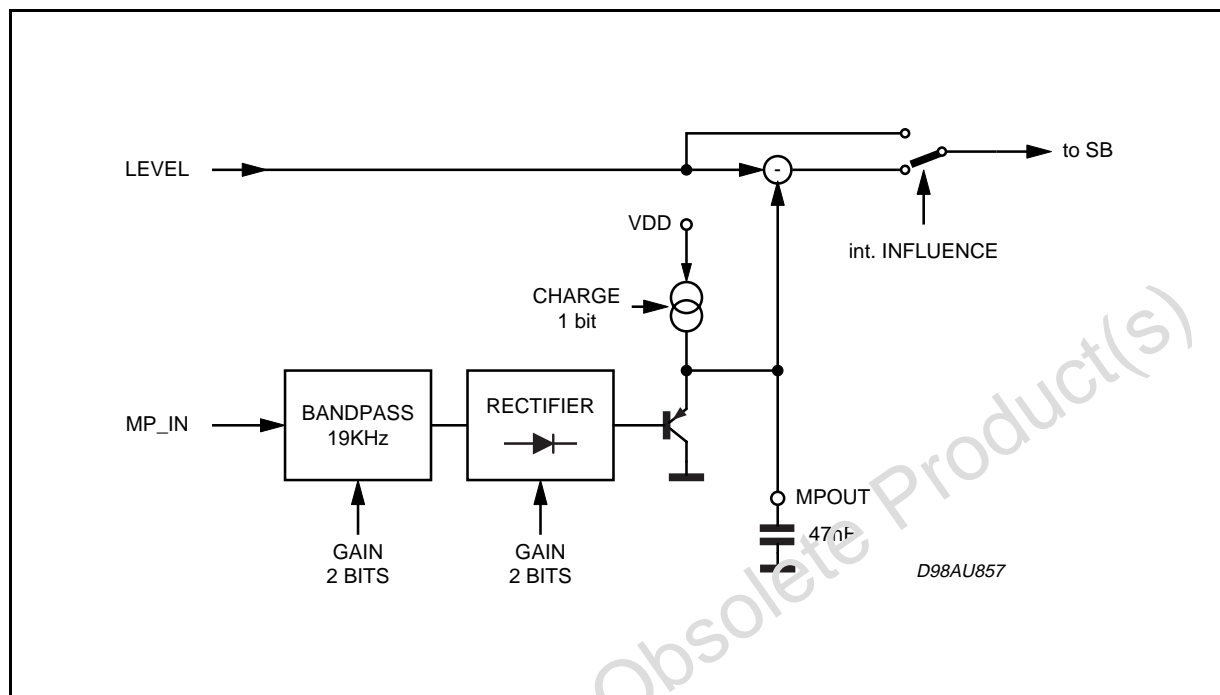


Figure 18. Block Diagram of the Multipath Detector



By rectifying the MPX signal a further signal representing the actual deviation is obtained. It is used to increase the PEAK voltage. Offset and gain of this circuit are programmable in 3 steps with the bits D6 and D7 of the serializer decoder byte (the first step turns off the detector, see fig. 15).

#### FUNCTIONAL DESCRIPTION OF THE MULTIPATH DETECTOR

Using the internal multipath detector the audible effects of a multipath condition can be minimized. A multipath condition is detected by rectifying the 19kHz spectrum in the fieldstrength signal.

An external capacitor is used to define the attack and decay times (see block diagram fig. 23). the MPOUT pin is used as detector output connected to a capacitor of about 47nF and additionally the MPIN pin is selected to be the fieldstrength input. Using the configuration an external adaptation to the user's requirement is given in fig.25.

Selecting the "internal influence" in the configuration byte, the channel separation is automatically reduced during a multipath condition according to the voltage appearing at the MP\_OUT pin. A possible application is shown in fig. 26.

#### Programming

To obtain a good multipath performance an adaptation is necessary. Therefore the gain of the

19kHz bandpass is programmable in four steps as well as the rectifier gain. The attack and decay times can be set by the external capacitor value.

#### QUALITY DETECTOR

The TDA7400D offers a quality detector output which gives a voltage representing the FM reception conditions. To calculate this voltage the MPX noise and the multipath detector output are summed according to the following formula:

$$\text{Quality} = 1.6 (V_{\text{noise}} - 0.8V) + a (\text{REF5V} - V_{\text{MPOUT}})$$

The noise signal is the PEAK signal without additional influences. The factor "a" can be programmed from 0.7 to 1.15. the output is a low impedance output able to drive external circuitry as well as simply fed to an A/D converter for RDS applications.

#### TEST MODE

During the test mode which can be activated by setting bit D0 of the testing byte and bit D5 of the subaddress byte to "1" several internal signals are available at the CASSR pin.

During this mode the input resistor of 100kOhm is disconnected from the pin. The internal signals available are shown in the software specification.

# TDA7400D

## I<sup>2</sup>C BUS INTERFACE DESCRIPTION

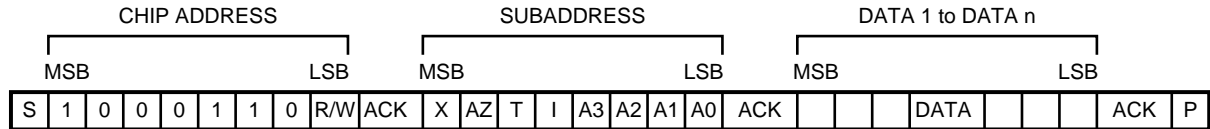
### Interface Protocol

The interface protocol comprises:

- a start condition (S)
- a chip address byte (the LSB bit determines read

/ write transmission)

- a subaddress byte
- a sequence of data (N-bytes + acknowledge)
- a stop condition (P)



D97AU627

S = Start

ACK = Acknowledge

AZ = AutoZero-Remain

T = Testing

I = Autoincrement

P = Stop

MAX CLOCK SPEED 500kbits/s

The transmitted data is automatically updated after each ACK. Transmission can be repeated without new chip address.

### Auto increment

If bit I in the subaddress byte is set to "1", the autoincrement of the subaddress is enabled.

### TRANSMITTED DATA (send mode)

MSB				LSB			
X	X	X	X	ST	SM	X	X

SM = 1 SoftMute activated

ST = 1 Stereo mode

X = Not Used

### SUBADDRESS (receive mode)

MSB				LSB				FUNCTION
I3	I2	I1	I0	A3	A2	A1	A0	
0								<b>AntiRadiation Filter</b> off on
1								<b>AutoZero Remain</b> off on
	0							<b>Testmode</b> off on
	1							<b>Auto Increment Mode</b> off on
			0					<b>Databyte Addressing</b> Input Selector Volume Treble Bass Speaker attenuator LF Speaker attenuator RF Speaker attenuator LR Speaker attenuator RR SoftMute / Bass Prog. Stereodecoder Noiseblanker High Cut Control Fieldstrength & Quality Configuration Stereodecoder Adjustment Testing
			1					
				0	0	0	0	
				0	0	0	1	
				0	0	1	0	
				0	0	1	1	
				0	1	0	0	
				0	1	0	1	
				0	1	1	0	
				0	1	1	1	
				1	0	0	0	
				1	0	0	1	
				1	0	1	0	
				1	0	1	1	
				1	1	0	0	
				1	1	0	1	
				1	1	1	0	
				1	1	1	1	

**DATA BYTE SPECIFICATION****Input Selector** (subaddress 0H)

MSB				LSB				FUNCTION
D7	D6	D5	D4	D3	D2	D1	D0	
					0	0	0	<b>Source Selector</b> CD Cassette Phone AM Stereo Decoder AC Inputs Front Mute AC inputs Rear
					0	0	1	
					0	1	0	
					0	1	1	
					1	0	0	
					1	0	1	
					1	1	0	
					1	1	1	
	0	0	0	0				<b>In-Gain</b> 15dB 14dB : 1 dB 0 dB
	0	0	0	1				
	:	:	:	:				
	1	1	1	0				
	1	1	1	1				
1								must be "1"

**Volume and Speaker Attenuation** (subaddress 1H, 4H, 5H, 6H, 7H)

MSB				LSB				FUNCTION
D7	D6	D5	D4	D3	D2	D1	D0	
1	0	0	1	1	1	1	1	not used configurations
:	:	:	:	:	:	:	:	
1	0	0	1	0	0	0	1	
1	0	0	1	0	0	0	0	
1	0	0	0	1	1	1	1	+15dB
:	:	:	:	:	:	:	:	:
1	0	0	0	0	0	0	1	+1dB
0	0	0	0	0	0	0	0	0dB
0	0	0	0	0	0	0	0	0dB
0	0	0	0	0	0	0	1	-1dB
:	:	:	:	:	:	:	:	:
0	0	0	0	1	1	1	1	-15dB
0	0	0	1	0	0	0	0	-16dB
:	:	:	:	:	:	:	:	:
0	1	0	0	1	1	1	0	-78dB
0	1	0	0	1	1	1	1	-79dB
X	1	1	X	X	X	X	X	Mute

## TDA7400D

### Treble Filter (subaddress 2H)

MSB							LSB	FUNCTION
D7	D6	D5	D4	D3	D2	D1	D0	
			0	0	0	0	0	<b>Treble Steps</b> -15dB -14dB : -1dB 0dB 0dB +1dB : +14dB +15dB
			0	0	0	0	1	
			:	:	:	:	:	
			0	1	1	1	0	
			0	1	1	1	1	
			1	1	1	1	1	
			1	1	1	1	0	
			:	:	:	:	:	
			1	0	0	0	1	
			1	0	0	0	0	
	0	0						<b>Treble Center Frequency</b> 10.0KHz 12.5KHz 15.0KHz 17.5KHz
	0	1						
	1	0						
	1	1						
1								must be "1"

### Bass Filter (subaddress 3H)

MSB							LSB	FUNCTION
D7	D6	D5	D4	D3	D2	D1	D0	
			0	0	0	0	0	<b>Bass Steps</b> -15dB -14dB : -1dB 0dB 0dB +1dB : +14dB +15dB
			0	0	0	0	1	
			:	:	:	:	:	
			0	1	1	1	0	
			0	1	1	1	1	
			1	1	1	1	1	
			1	1	1	1	0	
			:	:	:	:	:	
			1	0	0	0	1	
			1	0	0	0	0	
	0	0						<b>Bass Q-Factor</b> 1.0 1.25 1.50 2.0
	0	1						
	1	0						
	1	1						
0								<b>Bass DC Mode</b> off on
1								

## Soft Mute and Bass Programming (subaddress 8H)

MSB							LSB	FUNCTION
D7	D6	D5	D4	D3	D2	D1	D0	
							0 1	<b>Mute</b> Enable Soft Mute Disable Soft Mute Mutetime = 0.48ms Mutetime = 0.96ms Mutetime = 40.4ms Mutetime = 324ms Stereodecoder Soft Mute Influence = on Stereodecoder Soft Mute Influence = off
		0 0 1 1 1	0 1 0 1 1					<b>Bass Center Frequency</b> Center Frequency = 60 Hz Center Frequency = 70 Hz Center Frequency = 80 Hz Center Frequency = 100 Hz Center Frequency = 150 Hz (1)
0 0 1 1	0 1 0 1							<b>Noise Blanker Time</b> 38µs 25.5µs 32µs 22µs

1 Only for Bass Q- Factor = 2.0

## Stereodecoder (subaddress 9H)

MSB							LSB	FUNCTION
D7	D6	D5	D4	D3	D2	D1	D0	
							0 1	STD Unmuted STD Muted
					0 1	1 0		In Gain 8.5dB In Gain 6dB others combinations not used
				1				must be "1"
			0 1					Forced Mono Mono/Stereo switch automatically
		0 1						Noiseblanker PEAK charge current low Noiseblanker PEAK charge current high
	0 1							Pilot Threshold HIGH Pilot Threshold LOW
0 1								Deemphasis 50µs Deemphasis 75µs

## Noiseblanker (subaddress AH)

MSB							LSB		FUNCTION
D7	D6	D5	D4	D3	D2	D1	D0		
					0	0	0	Low Threshold 65mV	
					0	0	1	Low Threshold 60mV	
					0	1	0	Low Threshold 55mV	
					0	1	1	Low Threshold 50mV	
					1	0	0	Low Threshold 45mV	
					1	0	1	Low Threshold 40mV	
					1	1	0	Low Threshold 35mV	
					1	1	1	Low Threshold 30mV	
			0	0				Noise Controlled Threshold 320mV	
			0	1				Noise Controlled Threshold 260mV	
			1	0				Noise Controlled Threshold 200mV	
			1	1				Noise Controlled Threshold 140mV	
		0						Noise blanker OFF	
		1						Noise blanker ON	
0	0							Over deviation Adjust 2.8V	
0	1							Over deviation Adjust 2.0V	
1	0							Over deviation Adjust 1.2V	
1	1							Over deviation Detector OFF	

## High Cut (subaddress BH)

MSB							LSB		FUNCTION
D7	D6	D5	D4	D3	D2	D1	D0		
							0	High Cut OFF	
							1	High Cut ON	
					0	0		Max. High Cut 2dB	
					0	1		Max. High Cut 5dB	
					1	0		Max. High Cut 7dB	
					1	1		Max. High Cut 10dB	
			0	0				VHCH at 42% REF 5V	
			0	1				VHCH at 50% REF 5V	
			1	0				VHCH at 58% REF 5V	
			1	1				VHCH at 66% REF 5V	
	0	0						VHCL at 16.7% VHCH	
	0	1						VHCL at 22.2% VHCH	
	1	0						VHCL at 27.8% VHCH	
	1	1						VHCL at 33.3% VHCH	
0								<b>Strong Multipath influence on PEAK 18K</b>	
1								OFF	
								ON (18K Discharge if $V_{MPOUT} < 2.5V$ )	



## Fieldstrength Control (subaddress CH)

MSB				LSB				FUNCTION
D7	D6	D5	D4	D3	D2	D1	D0	
					0	0	0	VSBL at 29% REF 5V
					0	0	1	VSBL at 33% REF 5V
					0	1	0	VSBL at 38% REF 5V
					0	1	1	VSBL at 42% REF 5V
					1	0	0	VSBL at 46% REF 5V
					1	0	1	VSBL at 50% REF 5V
					1	1	0	VSBL at 54% REF 5V
					1	1	1	VSBL at 58% REF 5V
			0	0				Noiseblanker Field strength Adj 2.3V
			0	1				Noiseblanker Field strength Adj 1.8V
			1	0				Noiseblanker Field strength Adj 1.3V
			1	1				Noiseblanker Field strength Adj OFF
	0	0						Quality Detector Coefficient a = 0.7
	0	1						Quality Detector Coefficient a = 0.85
	1	0						Quality Detector Coefficient a = 1.0
	1	1						Quality Detector Coefficient a = 1.15
0								Multipath influence on PEAK discharge
1								-1V/ns at MPout = 2.5V

## Configuration (subaddress DH)

MSB				LSB				FUNCTION
D7	D6	D5	D4	D3	D2	D1	D0	
						0	0	<b>Noise Rectifier Discharge Resistor</b>
						0	1	R = infinite
						1	0	R = 56k $\Omega$
						1	1	R = 33k $\Omega$
								R = 18k $\Omega$
				0	0			<b>Multipath Detector Bandpass Gain</b>
				1	0			6dB
				0	1			12dB
				1	1			16dB
								18dB
			0					<b>Multipath Detector internal influence</b>
			1					ON
		0						Multipath Detector Charge Current 0.5 $\mu$ A
		1						Multipath Detector Charge Current 1 $\mu$ A
0	0							<b>Multipath Detector Reflection Gain</b>
0	1							Gain = 7.6dB
1	0							Gain = 4.6dB
1	1							Gain = 0dB
								disabled

**Stereodecoder Adjustment** (subaddress EH)

MSB							LSB	FUNCTION
D7	D6	D5	D4	D3	D2	D1	D0	
					0 0 0 : 1 : 1	0 0 1 : 0 : 1	0 1 0 : 0 : 1	<b>Roll Off Compensation</b> not allowed 19.6% 21.5% : 25.3% : 31.0%
	0 0 0 : 1	0 0 0 : 1	0 0 1 : 1	0 1 0 : 1				<b>Level Gain</b> 0dB 0.66dB 1.33dB : 10dB
1								must be "1"

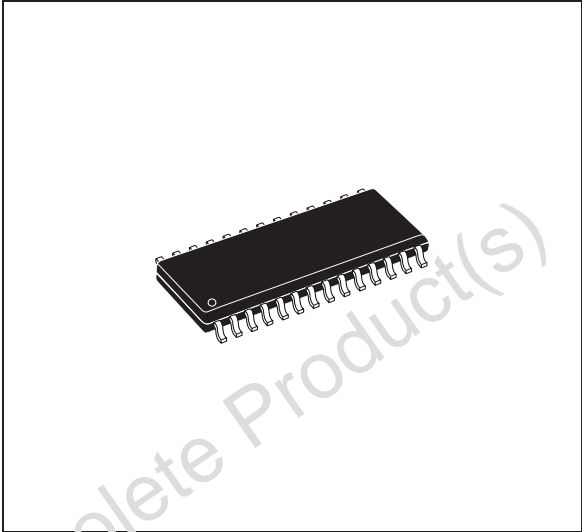
**Testing** (subaddress FH)

MSB							LSB	FUNCTION
D7	D6	D5	D4	D3	D2	D1	D0	
							0 1	<b>Stereodecoder test signals</b> OFF Test signals enabled if bit D5 of the subaddress (test mode bit) is set to "1", too
							0 1	External Clock Internal Clock
		0 0 0 0 0 0 0 0 0 1 1 1 1 1 1 1 1 1	0 0 0 0 1 1 1 0 0 0 0 0 0 0 0 0 0 0	0 0 1 0 0 1 1 0 0 0 0 0 0 0 0 0 0 0	0 1 0 0 0 0 0 0 0 0 0 0 0 0 0 0 0 0			<b>Testsignals at CASS_R</b> VHCCH Level intern Pilot magnitude VCOCON; VCO Control Voltage Pilot threshold HOLDN NB threshold F228 VHCCCL VSBL not used not used PEAK not used REF5V not used
	0 1							<b>VCO</b> OFF ON
0 1								<b>Audioprocessor test mode</b> enabled if bit D5 of the subaddress (test mode bit) is set to "1" OFF

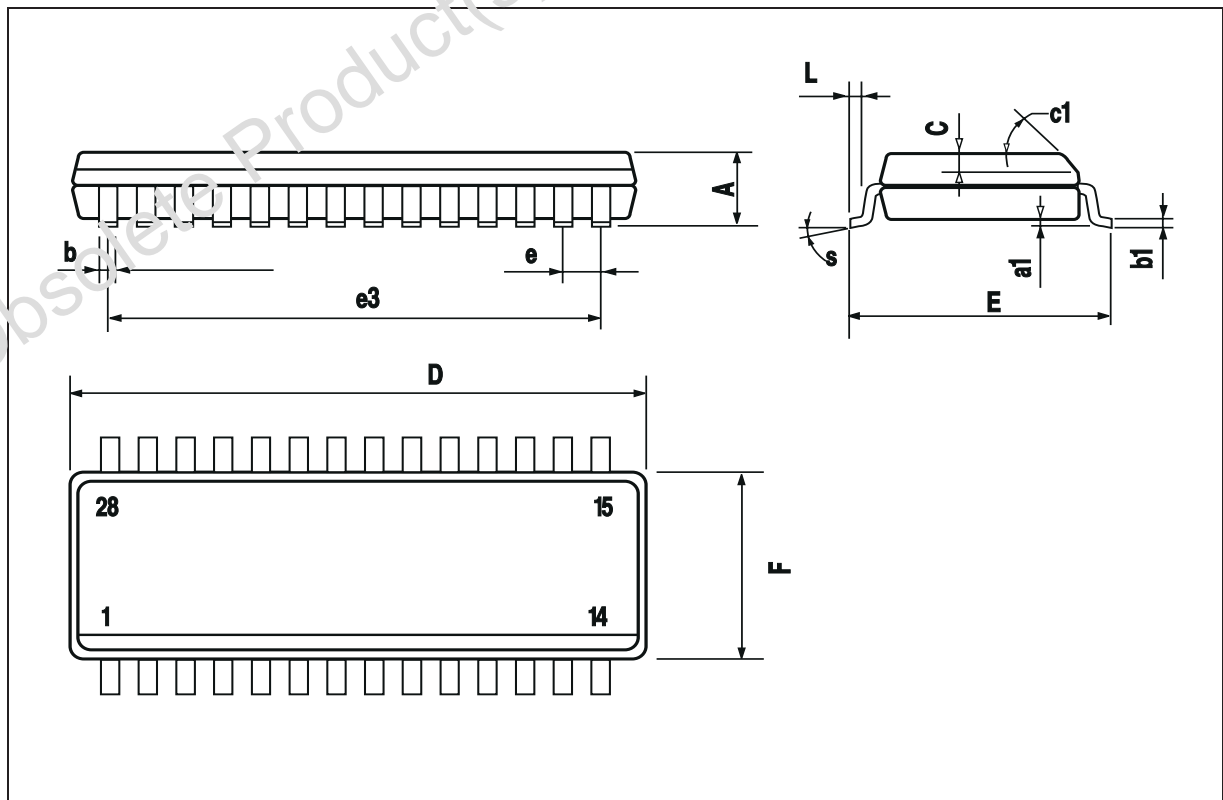
Note : This byte is used for testing or evaluation purposes only and must not be set to other values than the default "11111110" in the application!

DIM.	mm			inch		
	MIN.	TYP.	MAX.	MIN.	TYP.	MAX.
A			2.65			0.104
a1	0.1		0.3	0.004		0.012
b	0.35		0.49	0.014		0.019
b1	0.23		0.32	0.009		0.013
C		0.5			0.020	
c1	45° (typ.)					
D	17.7		18.1	0.697		0.713
E	10		10.65	0.394		0.419
e		1.27			0.050	
e3		16.51			0.65	
F	7.4		7.6	0.291		0.299
L	0.4		1.27	0.016		0.050
S	8° (max.)					

**OUTLINE AND MECHANICAL DATA**



**SO28**



Obsolete Product(s) - Obsolete Product(s)

Information furnished is believed to be accurate and reliable. However, STMicroelectronics assumes no responsibility for the consequences of use of such information nor for any infringement of patents or other rights of third parties which may result from its use. No license is granted by implication or otherwise under any patent or patent rights of STMicroelectronics. Specifications mentioned in this publication are subject to change without notice. This publication supersedes and replaces all information previously supplied. STMicroelectronics products are not authorized for use as critical components in life support devices or systems without express written approval of STMicroelectronics.

The ST logo is a registered trademark of STMicroelectronics.  
All other names are the property of their respective owners

© 2003 STMicroelectronics - All rights reserved

**STMicroelectronics GROUP OF COMPANIES**

Australia – Belgium - Brazil - Canada - China – Czech Republic - Finland - France - Germany - Hong Kong - India - Israel - Italy - Japan - Malaysia - Malta - Morocco - Singapore - Spain - Sweden - Switzerland - United Kingdom - United States

[www.st.com](http://www.st.com)