



# LIGHTHAWK® PASSIVE INFRARED WALL SWITCH SENSOR

WALL SWITCH OCCUPANCY SENSORS

## FEATURES

- Digital passive infrared (PIR) sensor
- IntelliDAPT® self-adaptive technology; no manual adjustment required
- Single and dual relay models for ON/OFF switching
- Occupancy (auto-on) and Vacancy (manual-ON) operating modes
- 1,000 square-foot, 180° coverage area
- RhinoTuff™ vandal resistant lens
- 120/277VAC, 347VAC and 24VDC models



## RELATED PRODUCTS

- ∅ [LightHAWK Dimming PIR](#)
- ∅ [LightHAWK Dual Tech](#)
- ∅ [Dimming Dual Tech](#)
- ∅ [LightHAWK Ultrasonic](#)
- ∅ [LightHAWK Night Light](#)
- ∅ [Universal Voltage Power Packs](#)



## SPECIFICATIONS

### CONSTRUCTION

- Casing - high - Impact injection - molded plastic (UL-94-5V Impact-resistance lens)
- Color-coded leads are 6" (152.4mm) long
- Wrap around galvanized steel mounting strap
- 2.9 oz. (82.21g)
- White; Ivory; Light Almond; Gray; Black
- Dual-element pyrometer and 12-element cylindrical RhinoTuff lens

### MOUNTING

- Single-gang NEMA-style switch box (standard switch box)
- Decorator-style wall plate sold separately

### ELECTRICAL

- Natural light override range: 10-500 foot-candles
- 120/277VAC; 50/60Hz
- 347VAC; 50/60Hz
- 24VDC (requires power pack-sold separately)
- 120VAC: 800W Incandescent/ Electronic Ballast/ LED Driver; 1,000W Magentic Ballast; 1/8 HP Motor
- 277VAC: 1,800W Magnetic Ballast/ Electronic Ballast/ LED Driver; 1/8 HP Motor

### ELECTRICAL (CONTINUED)

- 347VAC: 1,500W Magnetic Ballast/ Electronic Ballast/ LED Driver; 1/8 HP Motor

### OPERATIONS

- IntelliDAPT
- Self-adjusting timer
- Self-adjusting passive infrared (PIR) sensitivity
- Automatic false-ON/ false-OFF corrections
- No manual adjustments required
- Coverage
  - 1,000 square-foot, 180° coverage area
- Timer Settings
  - Auto mode: 4-30 minutes; self-adjusts based on occupancy
  - Fixed mode: 4, 8, 15, and 30 minutes
- Timer Settings (Continued)
  - Test mode: 5 seconds

### OPERATING ENVIRONMENT

- Indoor use only
- Operating temperature: 32° to 104°F (0° to 40°C)
- Relative humidity (non-condensing): 0% to 95%

### CERTIFICATIONS

- Listed UL and cUL
- This product qualifies as "designated country construction material" per FAR 52.225-11 Buy American-Construction Materials under Trade Agreements effective 5/27/2020. See [Buy American Solutions](#).

### WARRANTY

- 5 year warranty
- See [HCS Standard Warranty](#) for additional information



# LIGHTHAWK® PASSIVE INFRARED WALL SWITCH SENSOR

WALL SWITCH OCCUPANCY SENSORS

## ORDERING GUIDE

Example: LHIRS0-N-WH-M-T

CATALOG # \_\_\_\_\_

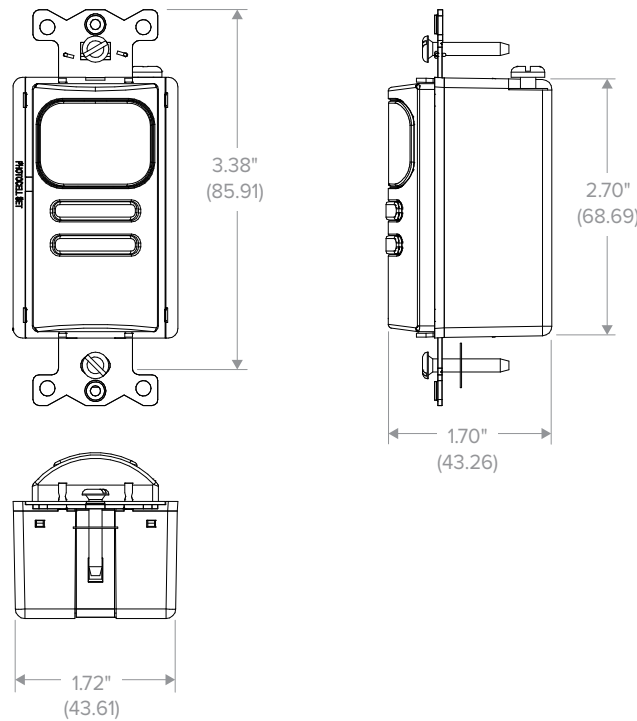
Series	Buttons	Wiring	Color	Mode	TAA
<b>LHIRS</b> Passive Infrared Technology, Single Relay	<b>0</b> 0 <sup>1</sup> <b>1</b> 1	<b>G</b> Ground (120/277V) <b>N</b> Neutral (120/277V)	<b>WH</b> White <b>IV</b> Ivory <b>LA</b> Light Almond <b>GY</b> Gray <b>BK</b> Black	<b>Blank</b> Switchable Vacancy or Occupancy Mode <b>M</b> Vacancy Mode Only	<b>Blank</b> Standard Product <b>T</b> TAA
<b>LHDCIRD</b> Passive Infrared Technology, Dual Relay (Two Inputs / Two Outputs)	<b>2</b> 2 <sup>2</sup>	<b>24V</b> Low Voltage <sup>3</sup> <b>G347</b> Ground (347V) <b>N347</b> Neutral (347V)			

Notes:

- 1 No button version not available with -M option
- 2 Two button option only available with LHDC model
- 3 Low voltage sensors require a power pack that is sold separately

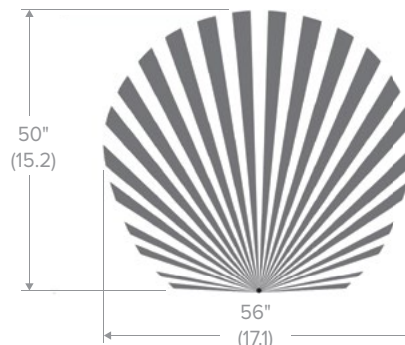
*Buy American Solutions
<b>TAA</b> FAR §52.225-11
LHIRS1-24V-WH
LHIRS1-G-WH
LHIRS1-N-WH

## DIMENSIONS



## ADDITIONAL INFORMATION

### Coverage Pattern

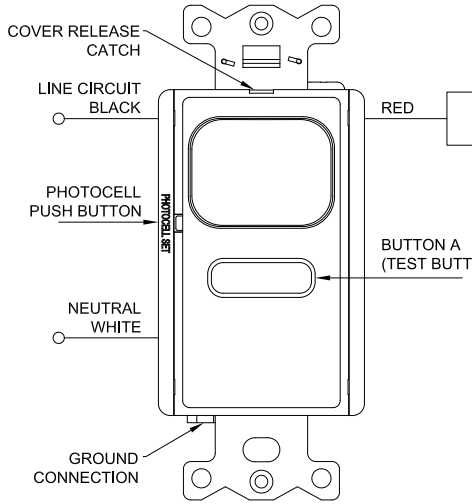


# LIGHTHAWK® PASSIVE INFRARED WALL SWITCH SENSOR

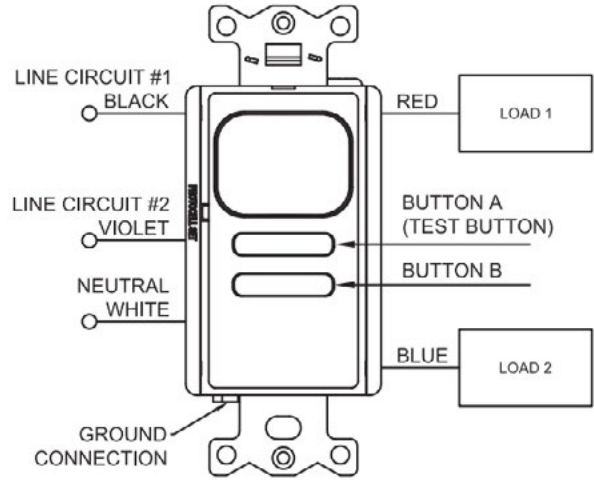
WALL SWITCH OCCUPANCY SENSORS

## ADDITIONAL INFORMATION CONTINUED

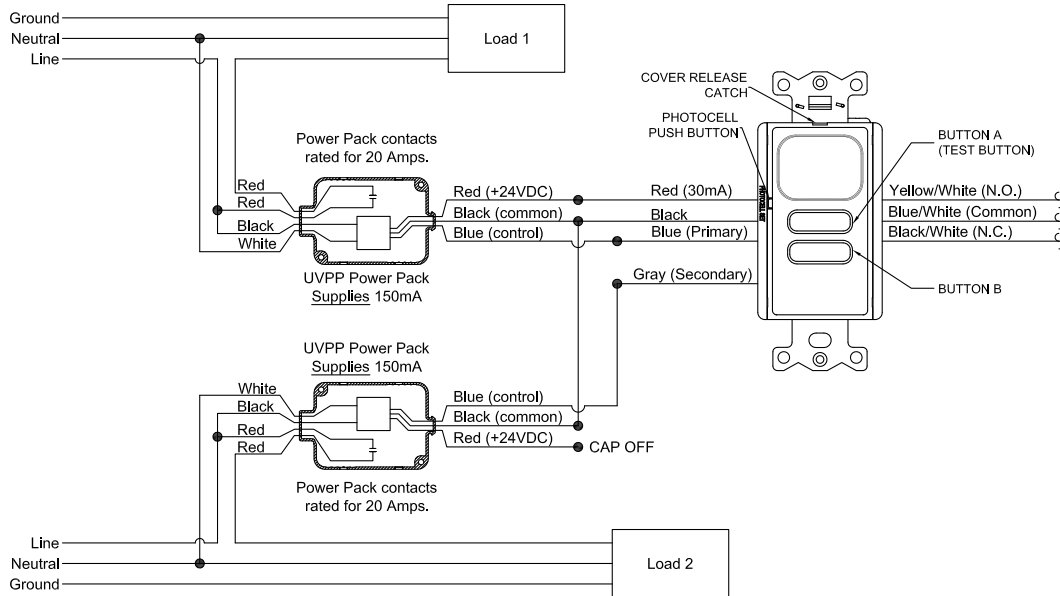
### Wiring Diagrams



**SINGLE LOAD WIRING**



**DUAL LOAD WIRING**



**LOW VOLTAGE DUAL LEVEL CONTROL WITH TWO POWER PACKS**

All product and company names, logos and product identifiers are trademarks™ or registered trademarks® of Hubbell Lighting, Inc. or their respective owners. Use of them does not necessarily imply any affiliation with or endorsement by such respective owners.