



REED SWITCH DEVELOPMENTS CORP.

2524 Norwood Court
Racine, WI 53403
Ph: (262)883-9060

sales@reedswitchdevelopments.com

SPECIFICATION SHEET

2010-1901-400

Alternate Part Number:

AM2010-1901-10K01

Active / Equivalent Part Numbers:

2010-1901-400 - KIT - Contains

(1) 2010-1901-100 - Magnetic Reed Sensor

(1) 2010-4002-000 - Magnetic Actuator

AM2010-1901-10K01 - KIT - Contains

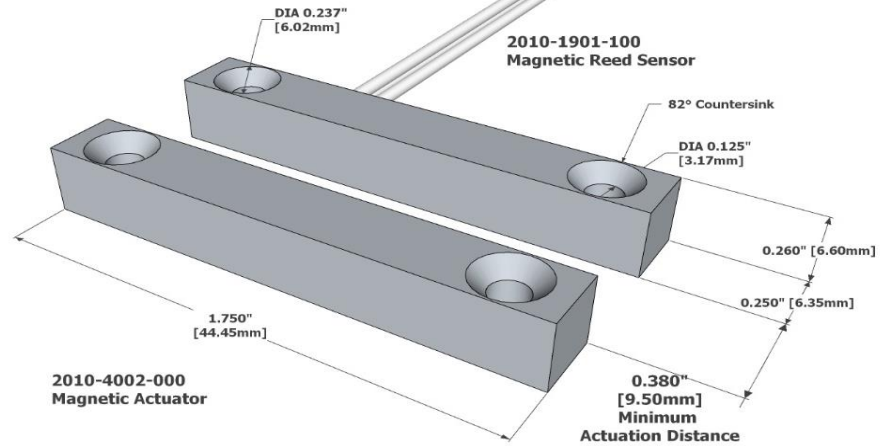
(1) AM2010-1901-10-01 - Magnetic Reed Sensor

(1) AM2010-4002-00-01 - Magnetic Actuator

Sensor (Reed) - Specifications 1901

Physical	Configuration	SPDT	
	Form	C	
	Contact Position	OFFSET	
	Glass L	14.00	mm
	Glass D	2.30	mm
	Total L*	55.00	mm
	Wire D	0.53	mm
	Gap Location	OFFSET	
	Mount Spec*	THRU	
	Contact Material	RHODIUM	
	Max Vibration Resistance	20	G
	Max Shock Resistance (11ms)	50	G
	Lead Tensile Strength	N/A	KG
Operating	Pull in (+/- 2AT)*	15-20	AT
	Drop out*	5	AT
	Operate Time	2.0	ms
	Bounce Time	0.60	ms
	Release Time	0.50	ms
	Resonant Frequency	N/A	Hz
	Max Operating Frequency	250	Hz
	Operating Temperature Range	-40 - 105	°C
	Storage Temperature	N/A	°C
	Electrical	DC Contact Rating	20
AC Contact Rating		20	VA
DC Switching Voltage		150	VDC
AC Switching Voltage		150	VAC
DC Switching Current		1.00	A
AC Switching Current		1.00	A
DC Max Carry Current		2.00	A
AC Max Carry Current		2.00	A
Min Breakdown Voltage		200	VDC
Max Initial Contact Resistance		150	mOhm
Typical Initial Contact Resistance		N/A	mOhm
Max Contact Capacitance		0.80	pF
Min Insulation Resistance		10 ⁹	Ohm

* Pre-processed, bare reed element



All measurements are in Inches [millimeters]

Sensor - Wire/Cable Characteristics (cont.)

Type	Wire
Conductor Count	3
Length	6.0"/152.4mm
Colors	RED, BLK, WHT
Insulation Material	PVC
Gauge	24 AWG
Stranded Copper	7 STR-TC
Maximum Temp	105°C

Conductor Configuration

Common (COM) - WHITE	
Normally Open (NO) - RED	
Normally Closed (NC) - BLACK	

Housing Characteristics 2010

Rectangular w/ Mounting Holes	
Length	1.750"/44.45mm
Width	0.250"/6.35mm
Height	0.260"/6.60mm
Material	Celanex 3316

Standard Actuator: 2010-4002-000

	Specifications	Description	UM
Physical/Magnetic	Magnetic Orientation	Through Length	
	Max Operating Temp.	975/525	°F/°C
	Curie Temp.	1580/860	°F/°C
	BR max	12.8	kGauss
	BH max	5.5	MGOe
	Coercive Force Hc	640	kOe
	Intrinsic Coercive Force Hci	640	kOe

Std. Sensor/Actuator - Min. Actuation Dist.

2010-4002-000	0.38"/9.5mm
---------------	-------------

Assembly Certifications

UL Recognized (File #: E102207)	Y
RoHS / REACH Compliant	Y
Conflict Free Material	Y

REV DATE: 10/06/2021

DISCLAIMER NOTICE: INFORMATION FURNISHED IS PROPRIETARY, AND IS BELIEVED TO BE ACCURATE AND RELIABLE, AND IS SUBJECT TO CHANGE WITHOUT NOTICE. IT SHALL BE THE RESPONSIBILITY OF THE BUYER TO ENSURE THAT THE GOODS ARE SUFFICIENT AND SUITABLE FOR THE PURPOSE OR PURPOSES INTENDED (WHETHER BY THE BUYER OR BY ANY THIRD PARTY) AND THAT THEIR CAPACITY AND PERFORMANCE IS NOT ADVERSELY AFFECTED BY ANY ITEMS USED IN THEIR INSTALLATION (WHERE RELEVANT) AND/OR IN CONNECTION WITH THEM.

WBE Certified - State of Wisconsin - MFR CAGE CODE: 32604

www.reedswitchdevelopments.com