

TLL151-5N-XXXX-01 Fuel Level Sensor, Precut-to-length

Document ref.: DDS_TLL151-5N-XXXX-01

05-Apr-21

Rev. 1

The T/LL151 liquid level sensor is designed for use in diesel fuel tanks and provides a variable voltage output suitable for connecting into PLCs or controllers.

This capacitance type level sensor is supplied in pre-cut lengths and is designed to be calibrated by the customer making it ideal for custom and urgent projects.

| | |
|-------------------------|---|
| Part Description | TLL151-5N-XXXX-01 200-975MM, 0-5 V, DIESEL, 1/2"NPT |
| Prod. Group | Fuel Level Sensor, precut-to-length |
| Technology | Capacitance |
| Liquid | Diesel |
| Output Type | Voltage |
| Connector | Metri-pack 150 - 4 Pins |
| Thread | 1/2" NPT |
| Length | 200-975 mm |

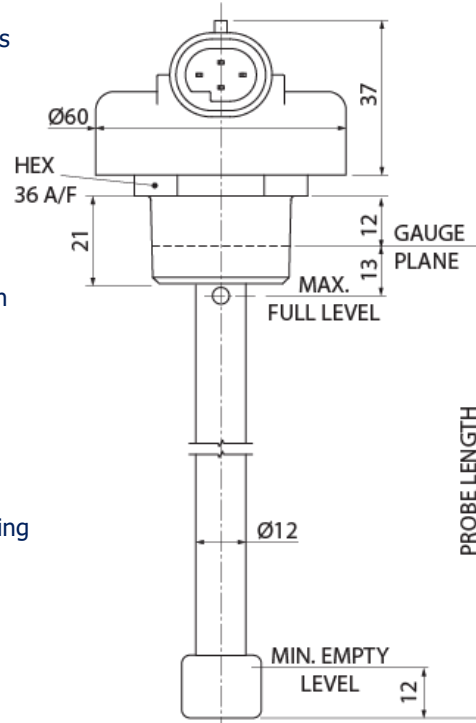
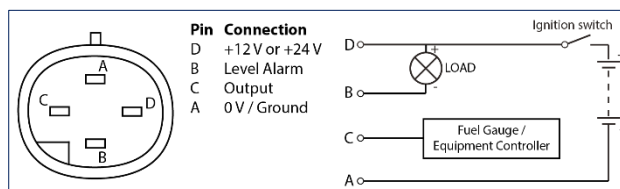
| | |
|--------------------|--------|
| Performance | |
| Output | 0-5V |
| Accuracy | +/- 2% |

| | |
|------------------|------------------------|
| Materials | |
| Enclosure | 30% Glass Filled Nylon |
| Electrode | Aluminum Alloy 6063 |
| Sensor | 316 Stainless Steel |
| Spacers | Polypropylene |
| End Plug | PVC or G/F Nylon |
| Seals | Viton and NBR |

| | |
|----------------|--------------------------------------|
| Ratings | |
| Sealing | IP67 if fitted with mating connector |
| Pressure | 1 Bar (max) |
| Shock | 50g, 6.3 ms |
| Vibration | 7.6 Grms |
| Temperature | -20 to +85 C |

| | |
|-------------------|---|
| Electrical | |
| Supply Voltage | 9-34 VDC |
| Supply Current | 30 mA |
| Signal Protection | Over Voltage 80 VDC for 120s Reverse Polarity |
| Alarm Output | 12.5%, Ground on Fall |

| | |
|----------------------------|------------|
| Harness Information | |
| Connector | M/P 150-4P |
| Output | Pin C |
| Alarm Output | Pin B |
| +ve supply | Pin D |
| Ground | Pin A |



| Part Number | Probe Length |
|-------------------|--------------|
| TLL151-5N-0200-01 | 200mm |
| TLL151-5N-0225-01 | 225mm |
| TLL151-5N-0250-01 | 250mm |
| TLL151-5N-0275-01 | 275mm |
| TLL151-5N-0300-01 | 300mm |
| TLL151-5N-0325-01 | 325mm |
| TLL151-5N-0350-01 | 350mm |
| TLL151-5N-0375-01 | 375mm |
| TLL151-5N-0400-01 | 400mm |
| TLL151-5N-0425-01 | 425mm |
| TLL151-5N-0450-01 | 450mm |
| TLL151-5N-0475-01 | 475mm |
| TLL151-5N-0525-01 | 525mm |
| TLL151-5N-0550-01 | 550mm |
| TLL151-5N-0575-01 | 575mm |
| TLL151-5N-0600-01 | 600mm |
| TLL151-5N-0625-01 | 625mm |
| TLL151-5N-0650-01 | 650mm |
| TLL151-5N-0675-01 | 675mm |
| TLL151-5N-0700-01 | 700mm |
| TLL151-5N-0725-01 | 725mm |
| TLL151-5N-0750-01 | 750mm |
| TLL151-5N-0775-01 | 775mm |
| TLL151-5N-0800-01 | 800mm |
| TLL151-5N-0825-01 | 825mm |
| TLL151-5N-0850-01 | 850mm |
| TLL151-5N-0875-01 | 875mm |
| TLL151-5N-0900-01 | 900mm |
| TLL151-5N-0925-01 | 925mm |
| TLL151-5N-0950-01 | 950mm |
| TLL151-5N-0975-01 | 975mm |