

Features

- Economically Priced
- Replaces the Spectrol 75H Series
- RoHS compliant
- Industrial / Sealed
- IC style pins for easier board insertion

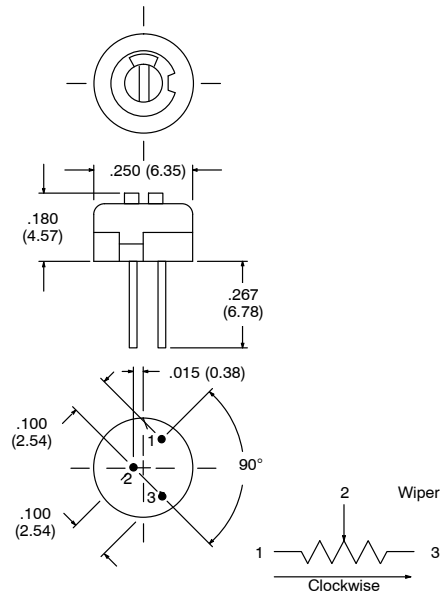


| NTE Part No. | Equivalent Spectrol No. | Value (Ohms) | Diag No. |
|--------------|-------------------------|--------------|----------|
| 500E-0306 | 75H-102 | 1K | T12e |
| 500E-0308 | T7YB502KT20 | 5K | T12e |
| 500E-0309 | T7YB103KY20 | 10K | T12e |
| 500E-0310 | 75H-203 | 20K | T12e |
| 500E-0312 | 75H-104 | 100K | T12e |
| 500E-0316 | 75H-205 | 2M | T12e |

Trimmer, 1/4" Round

Trimmer – Single Turn Cermet, Top Adjust

T12e



Specifications

Electrical

- Effective Travel:** 280° nom
- Resistance Range:** 1K Ω to 2 Meg Ω
- Resistance Tolerance:** $\pm 10\%$
- Absolute Minimum Resistance:** $\leq 1\%$ or 2 Ω
- Temperature Coefficient:** ± 100 ppm/ $^{\circ}$ C.
- Power Rating:** 1/2 Watt @ 70 $^{\circ}$ C derated to 0 Watts @ 150 $^{\circ}$ C
- Withstanding Voltage:** 500V_{AC}
- Insulation Resistance:** $\geq 1G \Omega$ @ 100V_{AC}
- Contact Resistance Variation:** $\leq 3\%$ or 3 Ω

Mechanical

- Starting Torque:** ≤ 35 mN \cdot m
- Rotation Life:** 200 cycles min with max change of $\leq 4\%$ in total resistance
- Resistance Element:** Cermet

Environmental

- Operating Temperature:** -55 $^{\circ}$ C to +150 $^{\circ}$ C
- Electrical Endurance:** 1000 hours