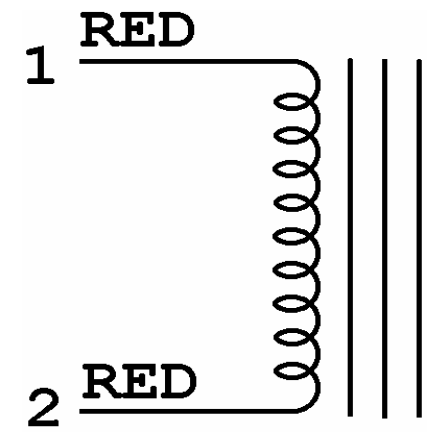
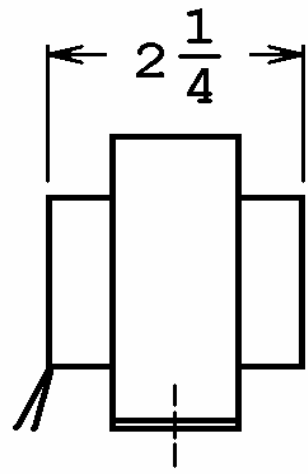
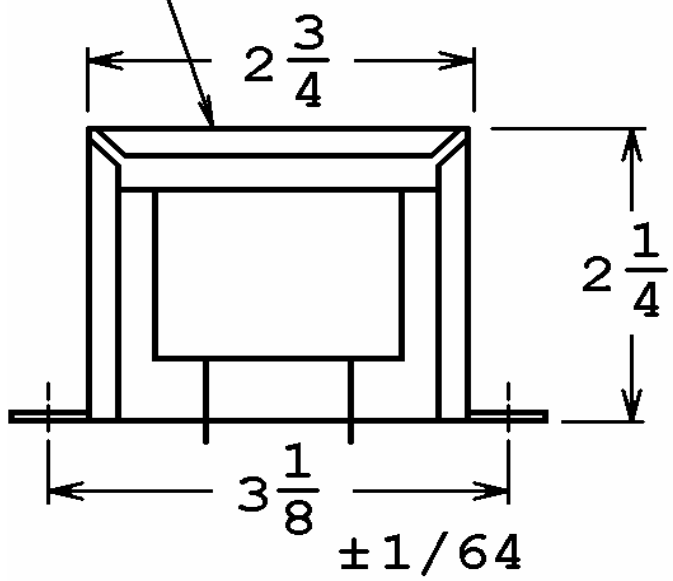


This drawing is the property of Magnetic Components, Inc. and shall not be reproduced, in whole or in part, without the written permission of Magnetic Components, Inc.

REVISIONS			
LTR	DESCRIPTION	DATE	APPROVED

Classic Tone™
By Magnetic Components, Inc.
40-18059
166-DATE
MADE IN U.S.A.



20Hy @ 70mA DC
690 Ω

DRAWING No. :
OOA-85366
DIV :
LOC : SCHILLER PK

UNLESS OTHERWISE SPECIFIED	
ALL DIMENSIONS IN INCHES DO NOT SCALE DRAWING	
FRACTIONS +/-	
.X = +/-	
.XX = +/-	
.XXX = +/-	
ANGLES = +/-	

SIGNATURES		DATE
DRAWN : <i>MJF</i>		26 JAN 11
CHECK :		
APPR : <i>M. Lakota</i>		26 JAN 11

MAGNETIC COMPONENTS, INC.				TITLE	
				20 Hy MARSHALL CHOKE	
CAGE	50508	SIZE	PART No.	REV	
SCALE	NONE	A	40-18059	-	
				SHEET :	