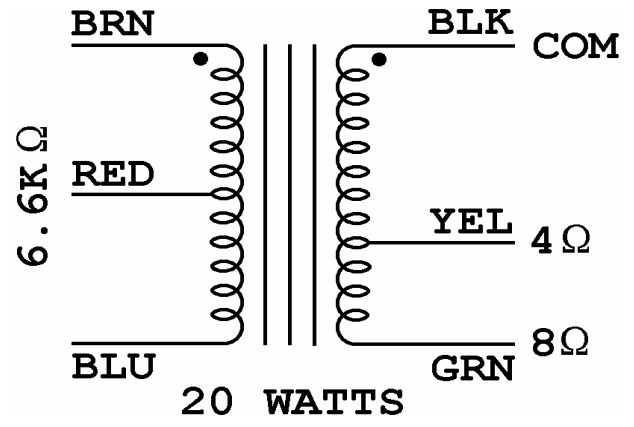
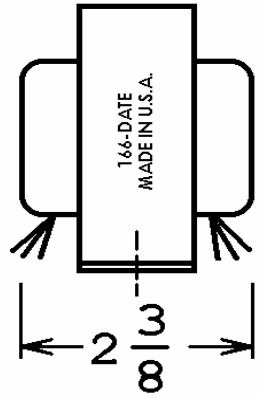
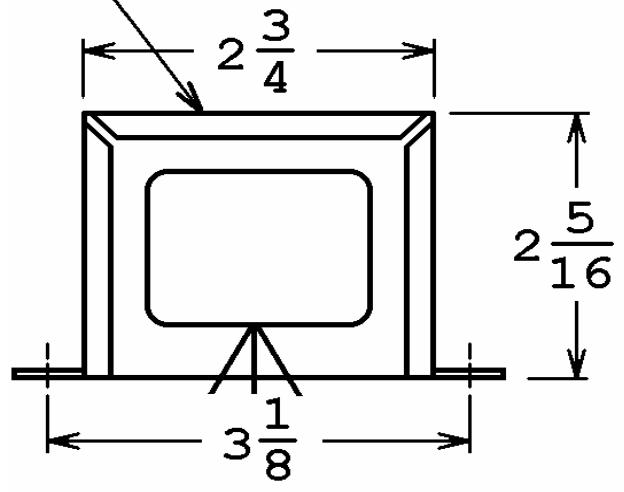


This drawing is the property of Magnetic Components, Inc. and shall not be reproduced, in whole or in part, without the written permission of Magnetic Components, Inc.

REVISIONS			
LTR	DESCRIPTION	DATE	APPROVED

Classic Tone
By Magnetic Components, Inc.
40-18038



DRAWING No. :
OOA-85264
DIV :
LOC : SCHILLER PK

UNLESS OTHERWISE SPECIFIED	
ALL DIMENSIONS IN INCHES DO NOT SCALE DRAWING	
FRACTIONS +/-	
.X = +/-	
.XX = +/-	
.XXX = +/-	
ANGLES = +/-	

SIGNATURES		DATE
DRAWN : <i>MJF</i>		26 JAN 10
CHECK :		
APPR : <i>M. Lacheta</i>		26 JAN 10

MAGNETIC COMPONENTS, INC.				TITLE	
				DELUXE OUTPUT	
CAGE	50508	SIZE	A	PART No.	40-18038
SCALE	NONE				REV
					-
SHEET :					