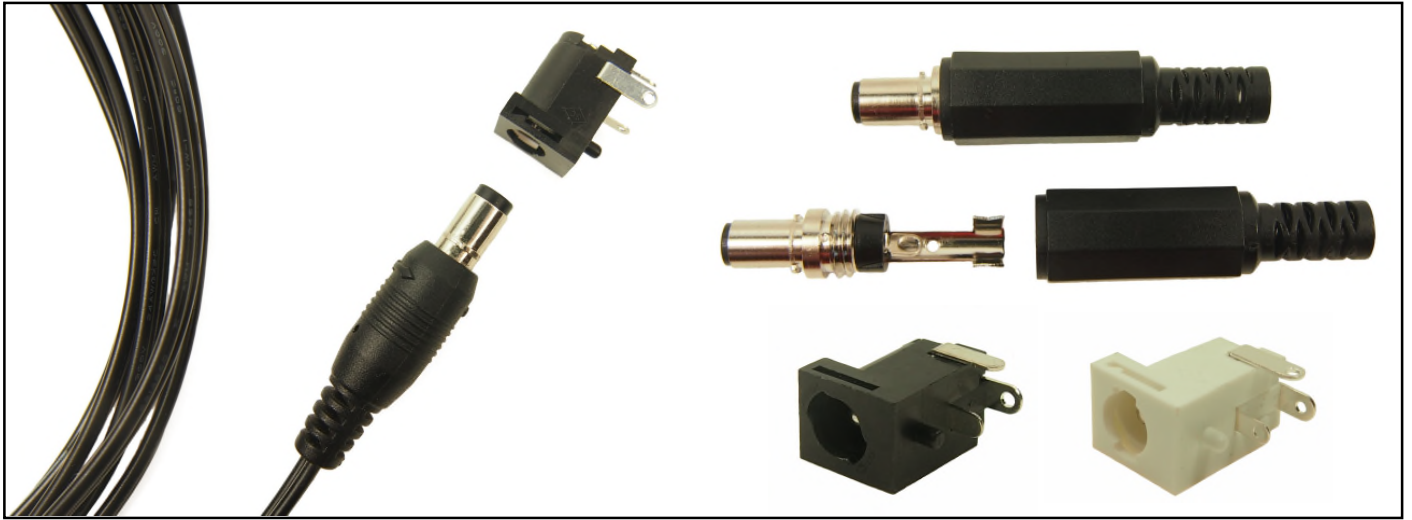
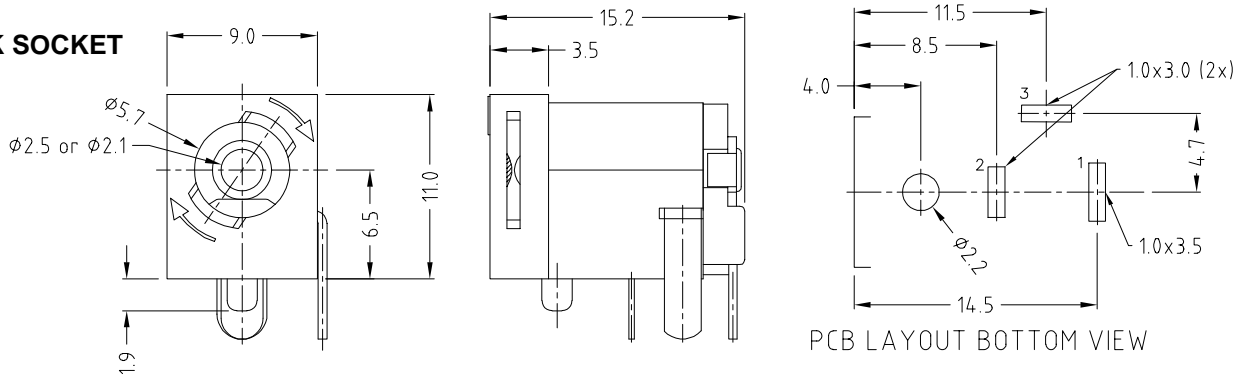


CLIFF

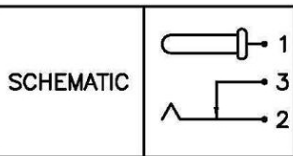
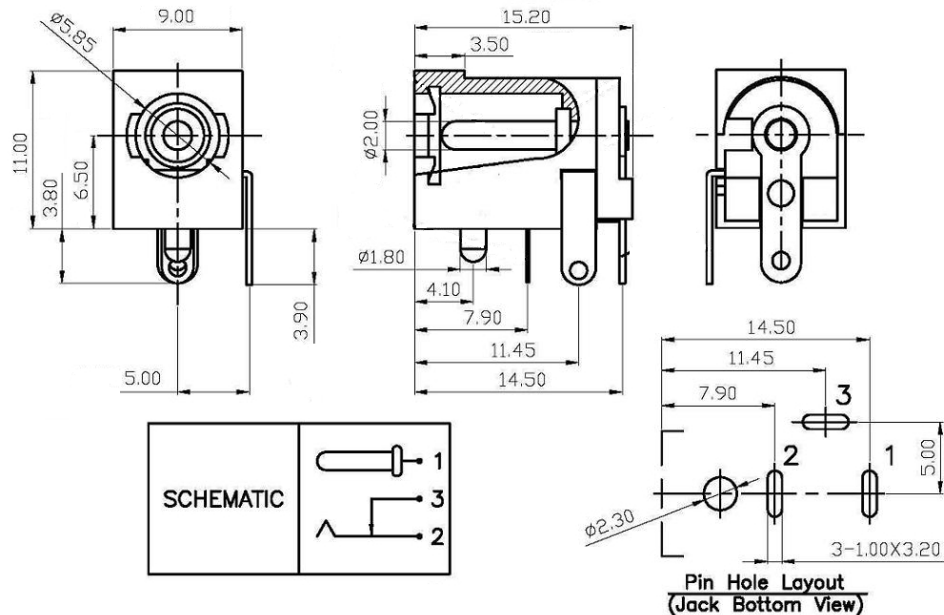
LOCKING DC PLUG & SOCKET



BLACK SOCKET



WHITE SOCKET

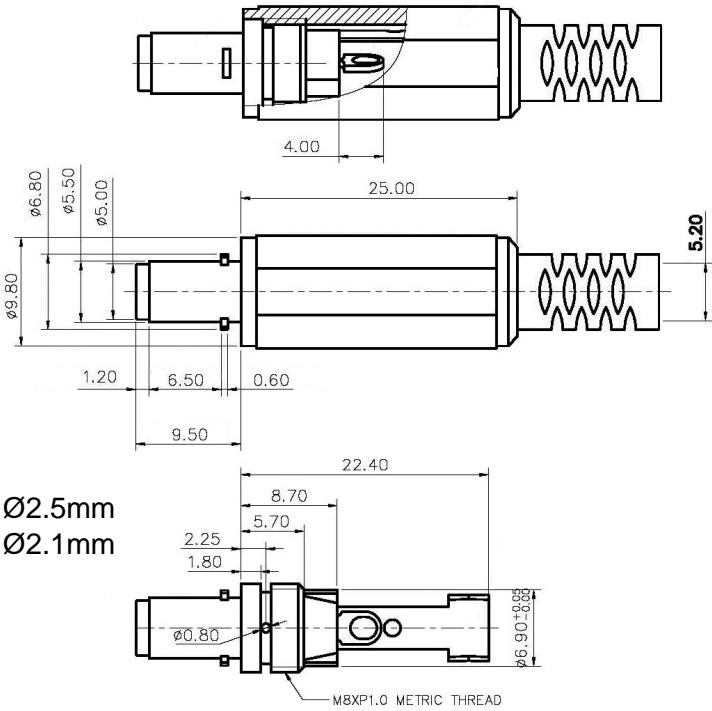
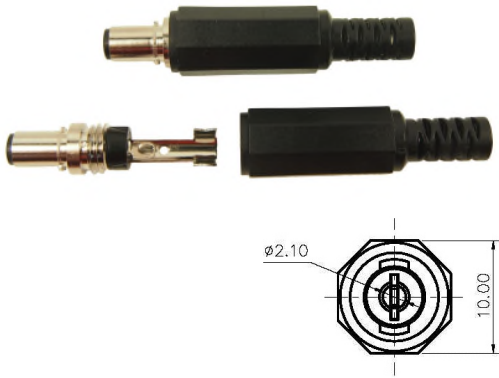


Part No.	Description
FC681477	Locking DC Socket $\phi 2.5$ mm
FC681477W	Locking DC Socket $\phi 2.5$ mm White
FC681478	Locking DC Socket $\phi 2.1$ mm
FC681478W	Locking DC Socket $\phi 2.1$ mm White

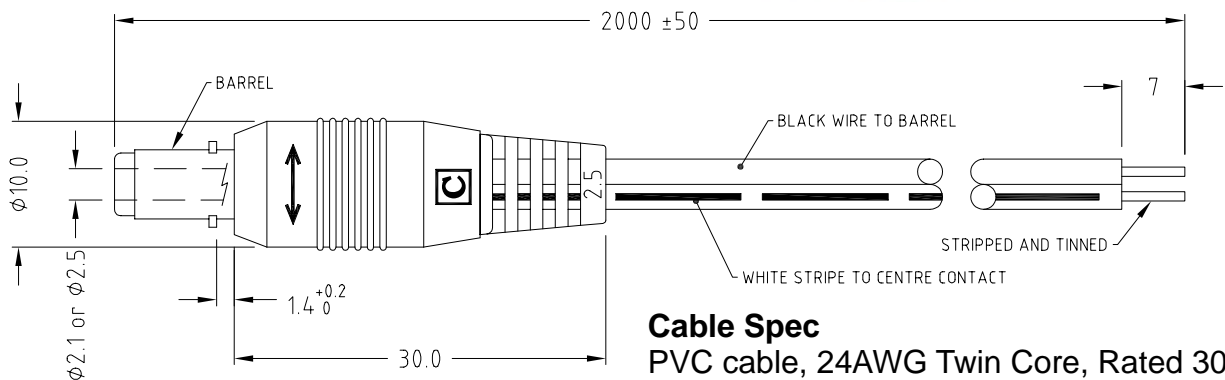
Specification

Contact Resistance : 30m Ω max.
 Current rating : Max 2.0A, 16V DC
 Insulation Resistance : 100M Ω min at DC500V
 Dielectric Withstand Voltage : AC 500V for 1 minute.

Note. Our standard DC plugs (FC68147 - DCP1 and FC681471 - DCP2) are compatible with these sockets.



Part No.	Description
FC6814775	Rewireable Locking DC Plug Ø2.5mm
FC6814785	Rewireable Locking DC Plug Ø2.1mm



Part No.	Description
FC6814751	Ø2.5mm LOCKING DC PLUG 2m CABLE BLACK
FC6814751W	Ø2.5mm LOCKING DC PLUG 2m CABLE WHITE
FC6814761	Ø2.1mm LOCKING DC PLUG 2m CABLE BLACK
FC6814761W	Ø2.1mm LOCKING DC PLUG 2m CABLE WHITE