

**iW-RainboW-G35M**  
**ZU19/17/11 Zynq Ultrascale+ MPSoC FPGA SOM Fan Sink**  
**ORDERING PART NUMBER: iW-FSKALU-CLASLR-CU03**

RELEASE HISTORY			
REL	CHANGES	DATE	BY
1.0	INITIAL RELEASE	06 JUL. 2020	IQBAL

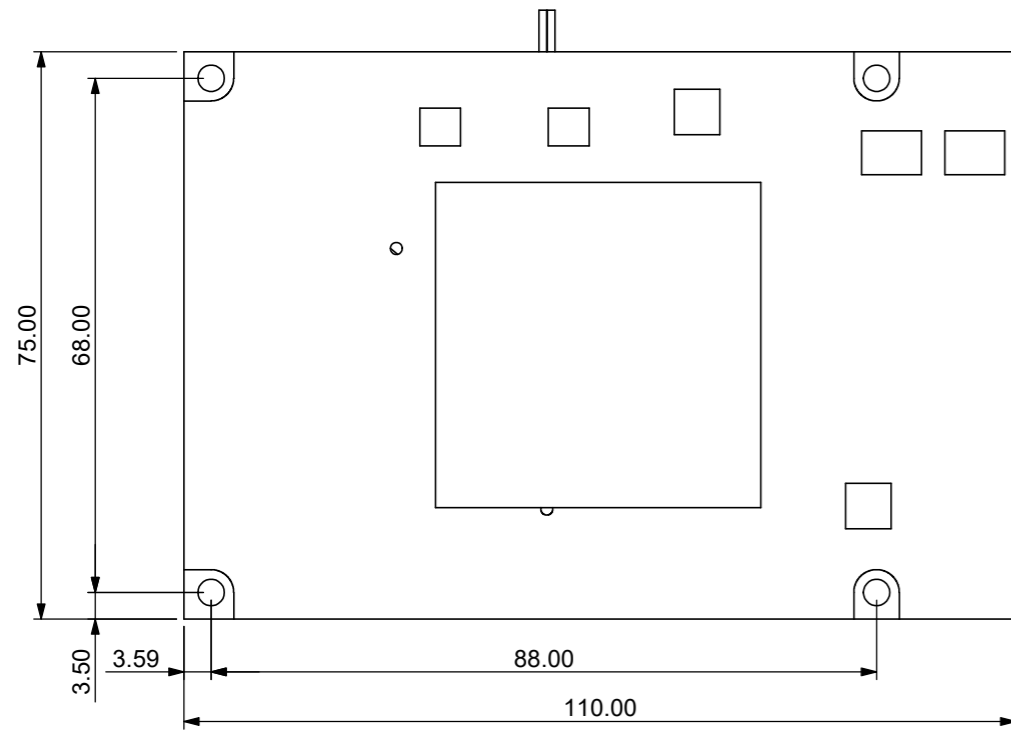


Fig 1.1

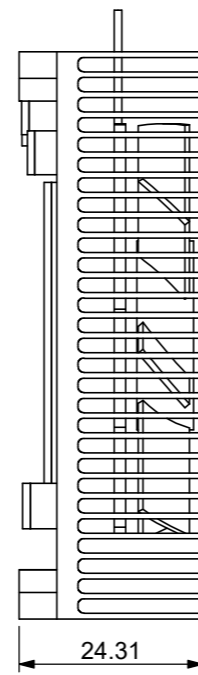


Fig 1.2

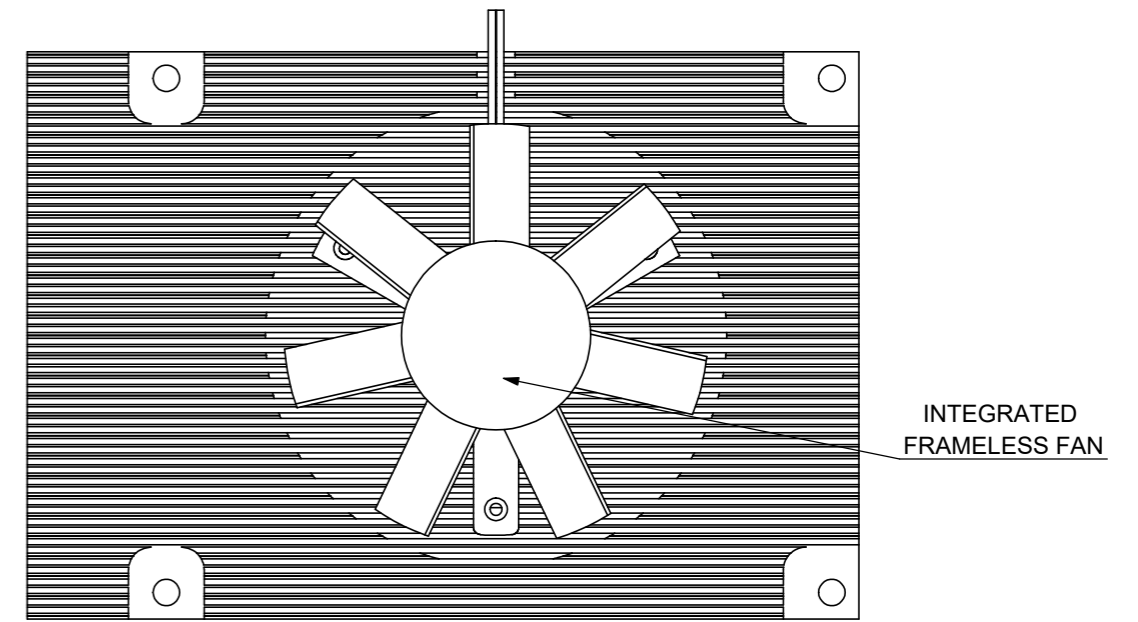


Fig 1.3

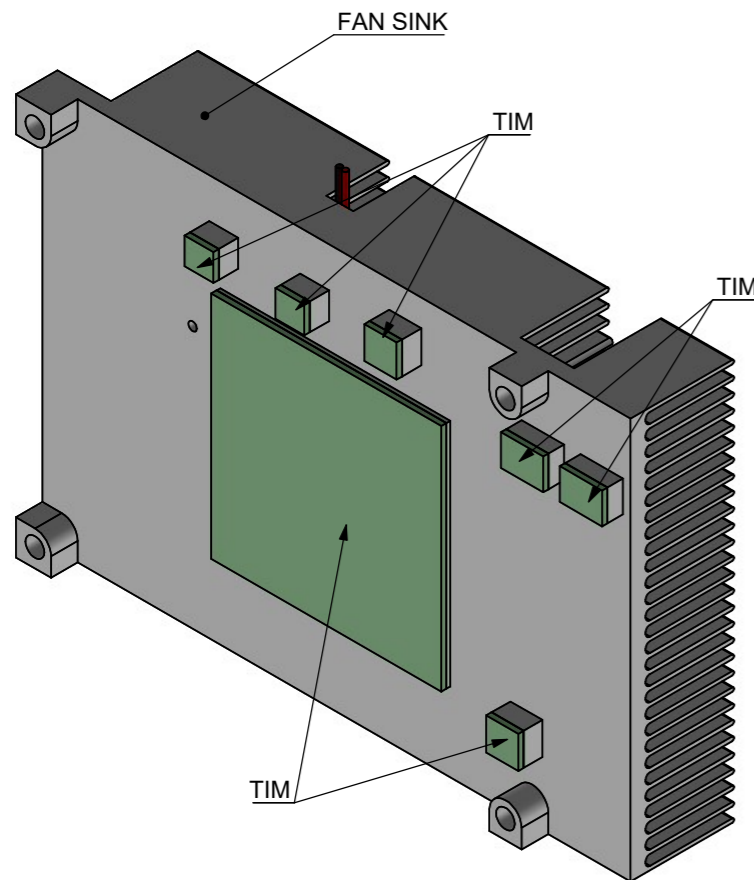


Fig 1.4

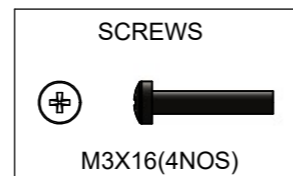



Fig 1.5

NOTES:  
 ALL DIMENSIONS ARE IN mm.  
 SCALE: 1:1

TABLE 1.1: FAN SPECIFICATIONS	
PART NO.	T056010BHZC0U3aR
DIMENSIONS	60X60X10.5mm
AIR FLOW	18.14CFM 0.51m3/min
STATIC PRESSURE	3.00mmH2O
RATED VOLTAGE	5V
LIFE EXPECTANCY	50,000hours at 40°C (WITH 15~65% RH)
ROHS	YES

TABLE 1.2: TIM SPECIFICATIONS	
MATERIAL	SILICONE RUBBER (BASE MATERIAL)
THERMAL CONDUCTIVITY	12.5W/mK
FLAME RATING	UL 94 V-0
HARDNESS	50 Shore 00
WORKING TEMP.	-50~+150 °C
ROHS	YES

DRAWN BY	IQBAL	 <b>iWave System Technologies Private Limited,</b> 7/B, 29th Main, BTM Layout, 2nd Stage, Bangalore-560076, India.
CHECKED BY	GANGADHAR	
APPROVED BY	PRADAP	
THIS DRAWING SHEET IS PROPRIETARY OF IWAVE SYSTEMS TECHNOLOGIES Pvt. Ltd.		DRAWING NO: <b>iW-FSKALU-CLASLR-CU03-DS</b>
GENERAL TOLERANCES : X: ± 0.25 .X: ± 0.1 .XX: ± 0.01		MATERIAL : AL 6063-T5 ALLOY WEIGHT: 172 g
FINISH : CLEAR ANODIZED		TITLE: <b>G35M-FPGA SOM FAN SINK DATA SHEET</b>
DATE : 06 JUL. 2020		REV: 1.0 REL: 1.0
SCALE: 1:1		SHEET 1 OF 1